



SERVICE MANUAL

UHF FM REPEATER

IC-FR4000

IC-FR4100

INTRODUCTION

This service manual describes the latest service information for the **IC-FR4000/IC-FR4100** UHF FM REPEATER.

| Model | Version | Symbol | AC supply | Power |
|-----------|---------|------------------|-------------|-------|
| IC-FR4000 | U.S.A. | USA1, USA3 | 100 V–120 V | 50 W |
| | General | GEN1, GEN2, GEN3 | 100 V–120 V | 50 W |
| | General | GEN5, GEN6, GEN7 | 220 V–240 V | 50 W |
| IC-FR4100 | Europe | EUR1, EUR3 | 220 V–240 V | 25 W |
| | Germany | FRG1, FRG3 | 220 V–240 V | 25 W |

To upgrade quality, all electrical or mechanical parts and internal circuits are subject to change without notice or obligation.

DANGER

Use **ONLY** the specified AC voltage described on the AC power socket. Other voltages may cause repeater damage or personal injury.

DO NOT expose the repeater to rain, snow or any liquids.

DO NOT apply an RF signal of more than 20 dBm (100 mW) to the antenna connector. This could damage the repeater's front end.



ORDERING PARTS

Be sure to include the following four points when ordering replacement parts:

1. 10-digit order numbers
2. Component part number and name
3. Equipment model name and unit name
4. Quantity required

<SAMPLE ORDER>

1110003780 S.IC NJM2902V IC-FR4000 LOGIC UNIT 1 piece
8930056450 2368 6-key IC-FR4000 CHASSIS 5 pieces
1110002750 S.IC TA75S01F IC-FR4100 25PA UNIT 3 pieces
8930060410 2367 module holder IC-FR4100 25PA UNIT 1 piece

Addresses are provided on the inside back cover for your convenience.

REPAIR NOTES

1. Make sure a problem is internal before disassembling the repeater.
2. **DO NOT** open the repeater until the repeater is disconnected from AC outlet.
3. **DO NOT** force any of the variable components. Turn them slowly and smoothly.
4. **DO NOT** short any circuits or electronic parts. An insulated tuning tool **MUST** be used for all adjustments.
5. **DO NOT** keep power ON for a long time when the repeater is defective.
6. **DO NOT** transmit power into a signal generator or a sweep generator.
7. **ALWAYS** connect a 40 dB or 50 dB attenuator between the repeater and a deviation meter or spectrum analyser when using such test equipment.
8. **READ** the instructions of test equipment thoroughly before connecting equipment to the repeater.

TABLE OF CONTENTS

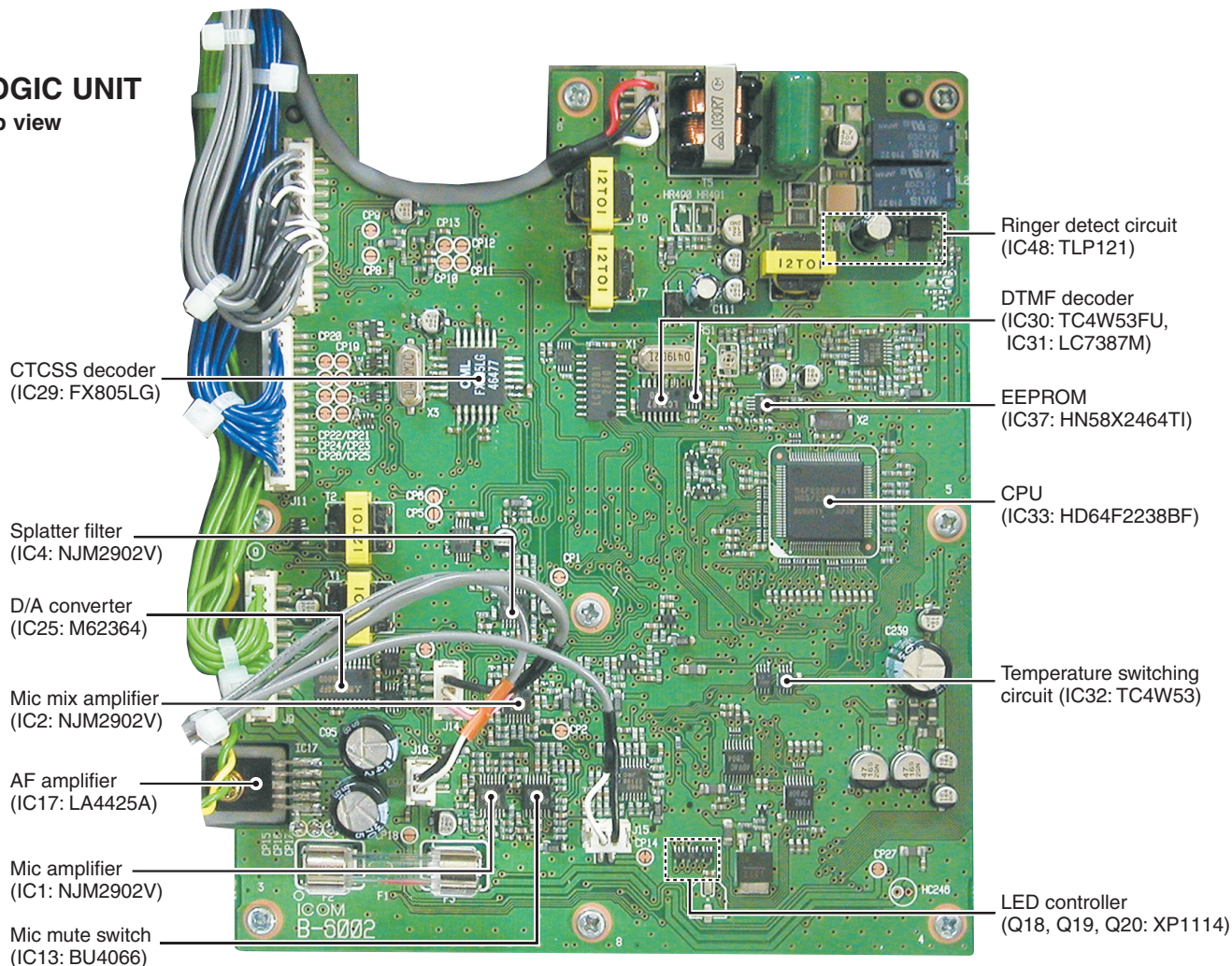
| | | |
|-------------------|---|--------|
| SECTION 1 | SPECIFICATIONS | |
| SECTION 2 | INSIDE VIEWS | |
| SECTION 3 | CIRCUIT DESCRIPTION | |
| 3 - 1 | RECEIVER CIRCUITS | 3 - 1 |
| 3 - 2 | TRANSMITTER CIRCUITS | 3 - 3 |
| 3 - 3 | PLL CIRCUITS | 3 - 4 |
| 3 - 4 | OTHER CIRCUITS | 3 - 5 |
| 3 - 5 | POWER SUPPLY CIRCUITS | 3 - 5 |
| 3 - 6 | PORT ALLOCATIONS | 3 - 6 |
| SECTION 4 | ADJUSTMENT PROCEDURES | |
| 4 - 1 | PREPARATION | 4 - 1 |
| 4 - 2 | PLL ADJUSTMENST | 4 - 4 |
| 4 - 3 | RECEIVER ADJUSTMENT | 4 - 6 |
| 4 - 4 | SOFTWARE ADJUSTMENT | 4 - 7 |
| SECTION 5 | PARTS LIST | |
| SECTION 6 | OPTIONAL UNIT INSTALLATION | |
| SECTION 7 | MECHANICAL PARTS AND DISASSEMBLY | |
| SECTION 8 | SEMI-CONDUCTOR INFORMATION | |
| SECTION 9 | BOARD LAYOUTS | |
| 9 - 1 | FRONT UNIT | 9 - 1 |
| 9 - 2 | VR UNIT | 9 - 1 |
| 9 - 3 | TVCO UNIT | 9 - 1 |
| 9 - 4 | RVCO UNIT | 9 - 1 |
| 9 - 5 | LOGIC UNIT | 9 - 3 |
| 9 - 6 | RX UNIT | 9 - 5 |
| 9 - 7 | TX UNIT | 9 - 7 |
| 9 - 8 | 50PA UNIT [FR4000]..... | 9 - 9 |
| 9 - 9 | VARISTER UNIT [FR4000]..... | 9 - 9 |
| 9 - 10 | 25PA UNIT [FR4100]..... | 9 - 11 |
| 9 - 11 | REG UNIT [FR4000]..... | 9 - 13 |
| 9 - 12 | JACK1 UNIT [FR4000]..... | 9 - 13 |
| 9 - 13 | JACK2 UNIT [FR4000]..... | 9 - 13 |
| 9 - 14 | JACK1 UNIT [FR4100]..... | 9 - 15 |
| 9 - 15 | JACK2 UNIT [FR4100]..... | 9 - 15 |
| SECTION 10 | BLOCK DIAGRAM | |
| SECTION 11 | WIRING DIAGRAM | |
| SECTION 12 | VOLTAGE DIAGRAM | |

SECTION 1 SPECIFICATIONS

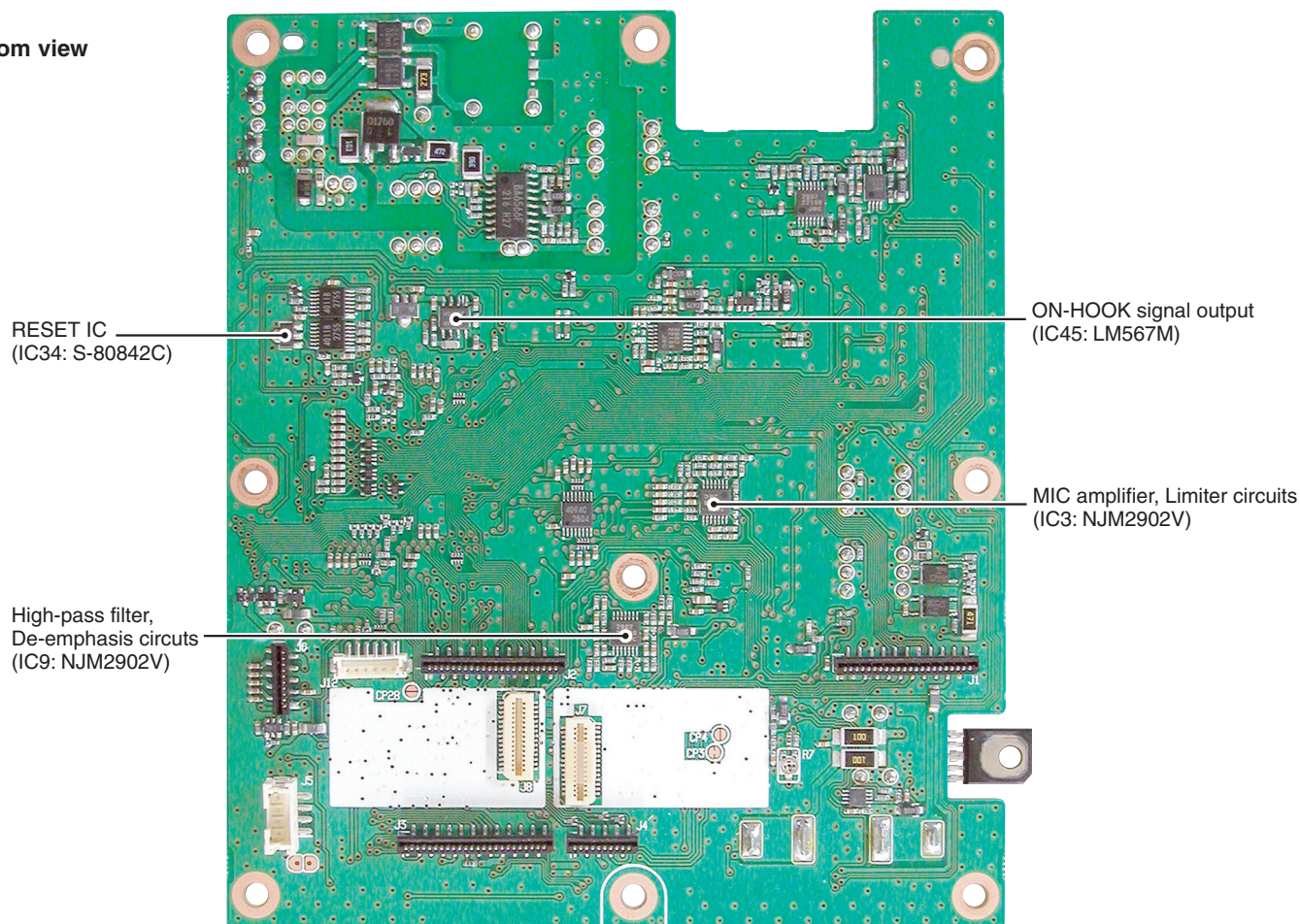
| | | IC-FR4000 | IC-FR4100 | |
|------------------|--|---|--|--------------------------|
| GENERAL | Measurement method | EIA/TIA-603 | ETS 300 086 | |
| | Frequency range | Low band ([L]; [USA1], [GEN1], [GEN5], [EUR1], [FRG1]): 400.000–430.000 MHz Middle band ([M]; [GEN2], [GEN6]): 430.000–450.000 MHz High band ([H]; [USA3], [GEN3], [GEN7], [EUR3], [FRG3]): 450.000–480.000 MHz | | |
| | Type of emission | Wide (25 kHz): 16K0F3E Middle (20 kHz): 14K0F3E Narrow (12.5 kHz): 8K50F3E | | |
| | Channel spacing | Wide/Narrow ([USA1], [USA3], [GEN1]–[GEN7], [EUR1], [EUR3]): 25/12.5 kHz Middle/Narrow ([FRG1], [FRG3]): 20/12.5 kHz | | |
| | Frequency stability | ±2.5 ppm | ±1.0 kHz | |
| | Number of channels | Max. 32 channels | | |
| | Antenna connector | Type-N × 2 (50 Ω) | | |
| | Power supply requirement | AC | [USA1], [USA3], [GEN1], [GEN2], [GEN3]: 100–120 V [GEN5], [GEN6], [GEN7], [EUR1], [EUR3], [FRG1], [FRG3]: 220–240 V | |
| | | DC | 13.6 V (negative ground) | 13.2 V (negative ground) |
| | Current drain (approx.) | TX | 20 A (at 50 W) | 12 A (at 25 W) |
| | | RX | Max. audio: 2 A Stand-by: 1 A | |
| | Operating temperature range | –30°C to +60°C (–22°F to +140°F) | –25°C to +55°C | |
| | Dimensions (proj. not included) | 410(W) × 110(H) × 360(D) mm; 16 ⁵ / ₃₂ (W) × 4 ¹¹ / ₃₂ (H) × 14 ³ / ₁₆ (D) inch | | |
| Weight (approx.) | 12 kg; 26 ¹⁵ / ₃₂ lb | | | |
| TRANSMITTER | RF output power (High/Low) | 50/10 W | 25/5 W | |
| | Modulation system | Variable reactance frequency modulation | | |
| | Maximum frequency deviation | [Wide]: ±5.0 kHz, [Middle]: ±4.0 kHz, [Narrow]: ±2.5 kHz | | |
| | Spurious emissions | 70 dBc typical | 0.25 μW ≤ 1GHz, 1.0 μW > 1 GHz | |
| | Adjacent channel power | [Wide], [Middle]: 70 dB, [Narrow]: 60 dB | | |
| | Input impedance | 600 Ω | | |
| RECEIVER | Receive system | Double-conversion superheterodyne system | | |
| | Intermediate frequencies | 1st: 70 MHz, 2nd: 455 kHz | | |
| | Sensitivity (typical) | 0.5 μV at 12 dB SINAD | 6 dBμV (emf) at 20 dB SINAD | |
| | Adjacent channel selectivity (typical) | [Wide], [Middle]: 70 dB, [Narrow]: 60 dB | | |
| | Spurious response | 70 dB | | |
| | Intermodulation (typical) | 70 dB | | |
| | Audio output power | 2.5 W typical at 10% distortion with a 4 Ω load | | |
| | Audio output impedance | 4 Ω | | |

All stated specifications are subject to change without notice or obligation.

• **LOGIC UNIT**
Top view

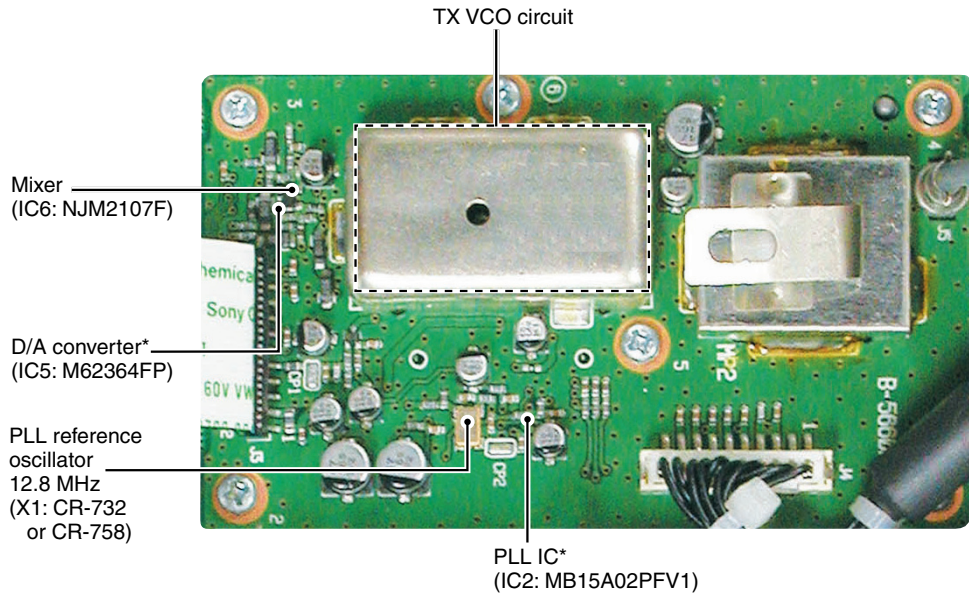


Bottom view



• TX UNIT

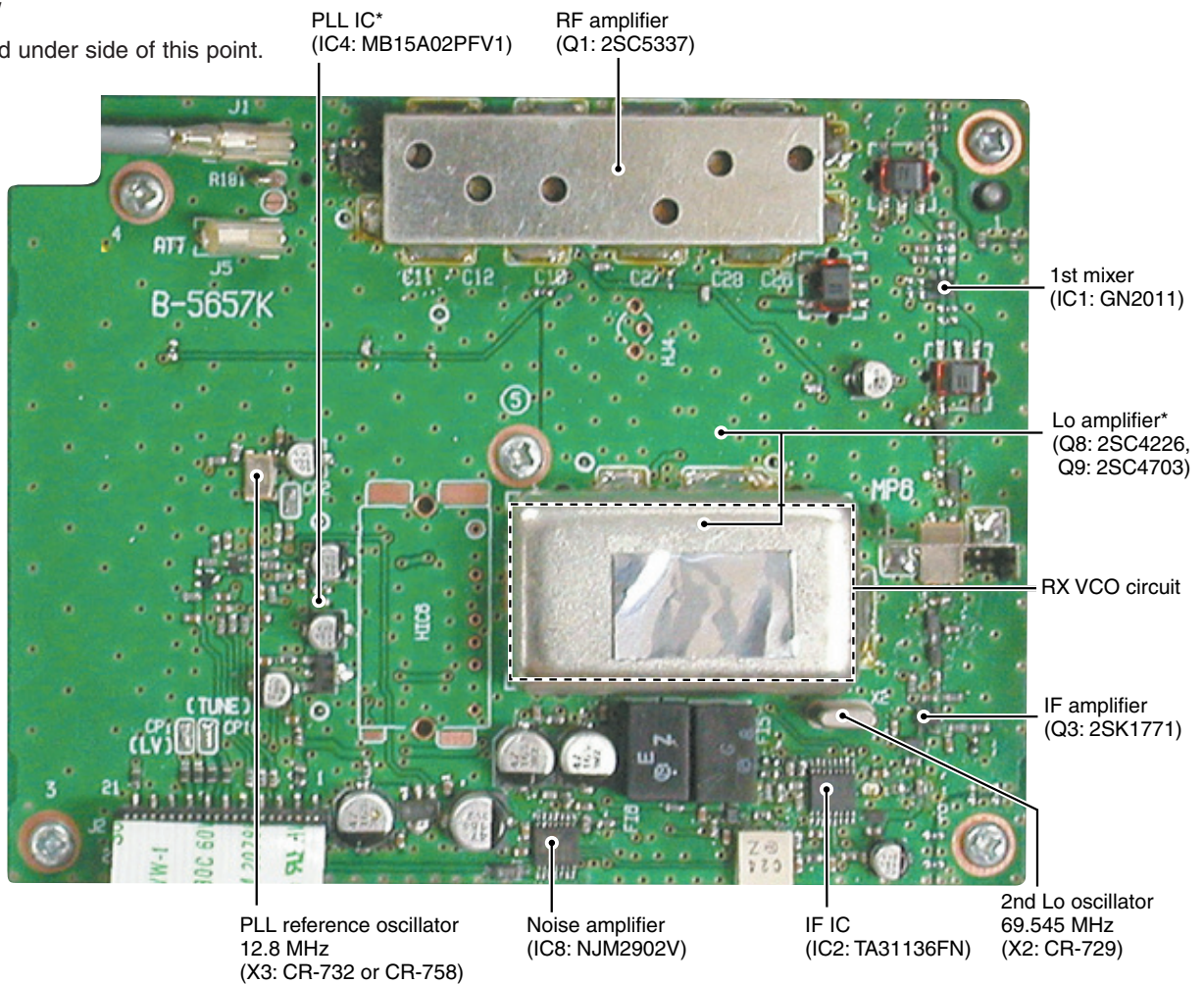
Top view



• RX UNIT

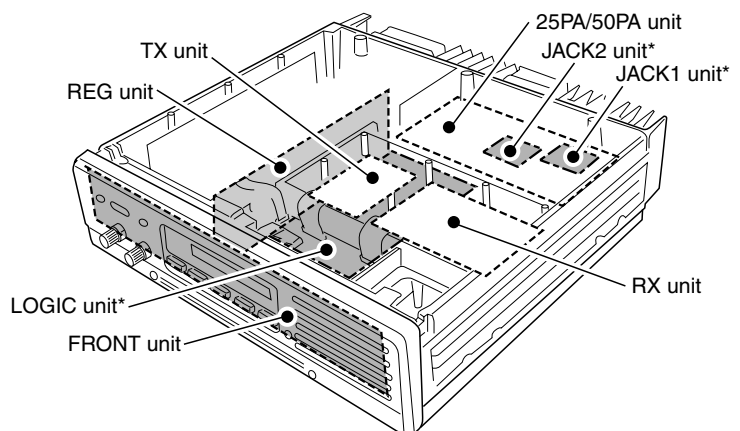
Top view

*: Located under side of this point.



• BOARD LAYOUT

*: Located under side of this point.



3-1-6 RECEIVER MUTE CIRCUITS (LOGIC UNIT)

• NOISE SQUELCH

The noise squelch circuit cuts out AF signals when no RF signals are received. By detecting noise components in the AF signals, the squelch circuit switches the AF mute switch.

Some noise components in the AF signals from the FM IF IC (RX unit; IC2, pin 9) are passed through the SQL level controller (VR unit; R2). The level controlled signals are applied to the active filter section in the FM IF IC (RX unit; IC2, pin 8). Noise components about 10 kHz are amplified and output from pin 7 (RX unit; IC2).

The filtered signals are converted to the pulse-type signals at the noise detector section and output from pin 13 (RX unit; IC2).

The NDET signal from the FM IF IC (RX unit; IC2) is applied to the CPU (IC33, pin 40). The CPU analyzes the noise condition and controls the AF mute signal via "AFMUTE1" line (IC40, pin 4) to the AF mute switch (IC16).

• CTCSS AND DTCS

The tone squelch circuit detects AF signals and opens the squelch only when receiving a signal containing a matching subaudible tone (CTCSS or DTCS).

The CTCSS signal passes through the low-pass filter circuit (IC8, pins 1, 3, 5, 7, 8, 10) and is then applied to the CTCSS decoder IC (IC29). The detected signal is applied to the CPU (IC33) via the serial signal line.

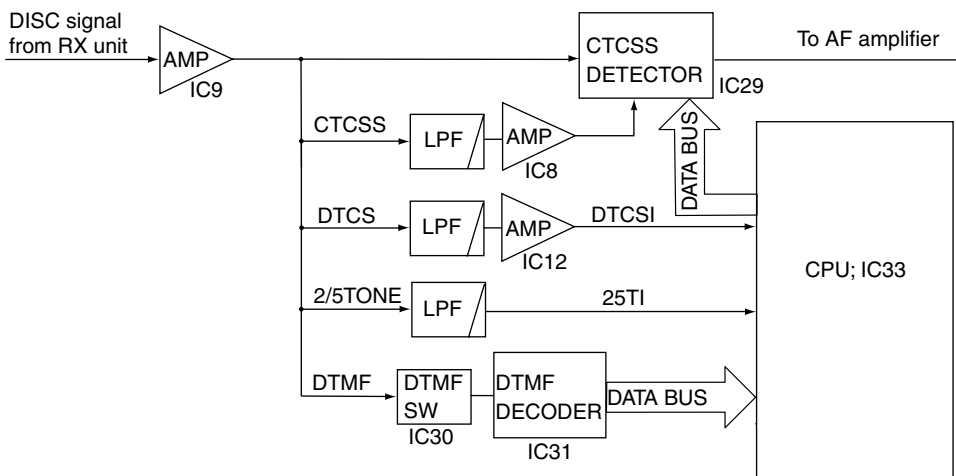
The DTCS signal passes through the low-pass filter circuit (IC12), and is then applied to the DTCS decoder which is inside the CPU (IC33, pin 52) via the "DTCSI" line.

The 2/5TONE signals are pass through the low-pass filter circuit (IC12), and are then applied to the 2/5TONE decoder which is inside the CPU (IC33 pin 51) via "25TI" line.

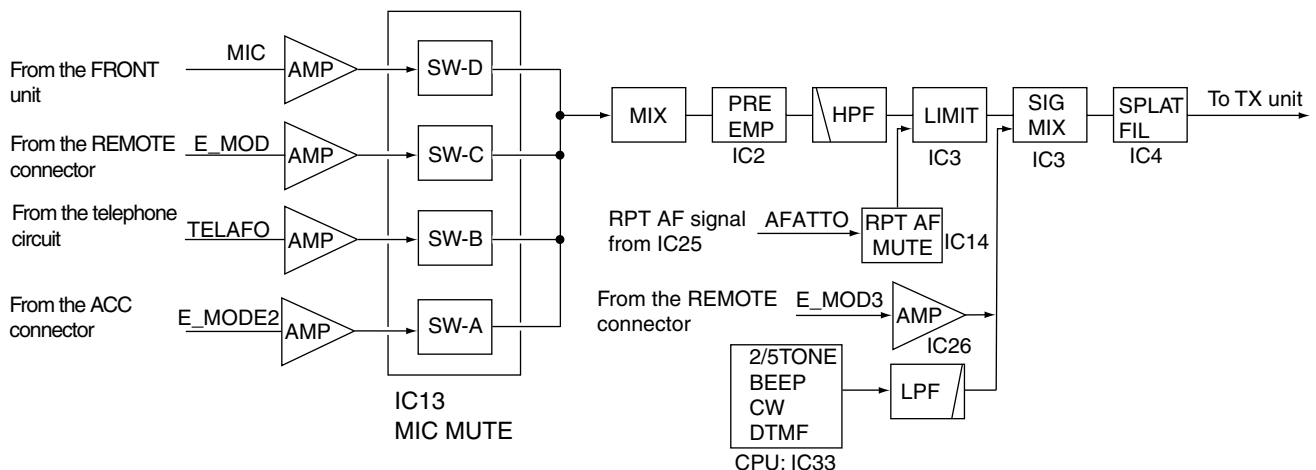
The DTMF signal passes through the DTMF switch IC (IC30), and is then applied to the DTMF decoder (IC31). The decoded signal is applied to the CPU (IC33, pins 82, 85, 86). The CPU analyzes the DTMF signal.

The DTMF switch (IC30) selects the signal from telephone line or RX unit.

• TONE SIGNALS CIRCUITS (LOGIC UNIT)



• AF AMPLIFIER CIRCUITS (LOGIC UNIT)



3-2 TRANSMITTER CIRCUITS

3-2-1 AF AMPLIFIER CIRCUIT (LOGIC UNIT)

• IN CASE OF THE AF SIGNAL FROM THE MIC JACK

The AF signals (MIC) from the MIC jack (FRONT unit; J7) are amplified at the AF amplifier (IC1). The amplified signals are mixed with the “E_MOD”, “E_MOD2” and “TELAFO” signals from IC1. The mixed signals pass through the high-pass filter (IC2, pins 1, 2, 6, 7) via the pre-emphasis circuit (IC2, pins 8, 9).

The filtered signals are applied to the limiter amplifier (IC3), and are then mixed with the DTMF signal from the CPU (IC33, pin 43) via the TX-signal filter (IC3). The mixed signals are applied to the splatter filter (IC4), and are then applied to the TX unit.

• IN CASE OF THE AF SIGNAL FROM THE ANTENNA CONNECTOR

The AF signals (received signals) from the antenna connector (RX unit; J1) are applied to the buffer amplifier (IC9), CTCSS detector (IC29) and AF amplifier (IC6). The amplified signals are applied to the D/A converter IC (IC25, pins 8, 9) to adjust to repeater AF level. The adjusted AF signals pass through the RPT AF mute switch (IC14), and are applied to the limiter amplifier (IC3).

• IN CASE OF THE 2/5TONE SIGNALS

The 2/5TONE signals from the CPU (IC33, pin 43) are applied to the mixer amplifier (IC3) via TX signal filter circuit (IC3, pins 8, 10, 12, 14).

• IN CASE OF THE DTMF SIGNALS

The DTMF signals from dialler IC (IC47, pin 14) are applied to the mixer amplifier (IC3) via the TX signal filter circuit (IC3).

• IN CASE OF THE CTCSS AND DTCS SIGNALS

The CTCSS and DTCS signals from the CPU (IC33, pin 44) are applied to the TX-tone filter (IC4, pins 12, 14). The filtered signals are applied to the converter IC (TX unit; IC5) to adjust tone level, and are then mixed with AF signal at the mixer amplifier IC (TX unit; IC6).

3-2-2 MODULATION CIRCUIT (TX UNIT)

The modulation circuit modulates the VCO oscillating signal (RF signal) using the AF signals.

The filtered signals from the LOGIC unit are applied to the D/A converter (IC5, pin 4) to adjust AF level. The adjusted signals are applied to the mixer amplifier IC (IC6, pin 1) with the CTCSS/DTCS signals.

The CTCSS/DTCS signals from the CPU (LOGIC unit; IC33, pin 44) pass through the TX-tone filter (LOGIC unit; IC4), and are then applied to the D/A converter (IC5 pin9) to adjust tone level.

The mixed signals are applied to the TX VCO circuit to modulate the oscillated signal (TVCO unit; D5). The TVCO output is amplified at the buffer amplifiers (Q1, Q2), and is then applied to the drive amplifier circuit on the 50PA (IC-FR4100; 25PA) unit.

3-2-3 DRIVE AMPLIFIER CIRCUIT

The drive amplifier circuit amplifies the VCO oscillating signal to the level needed at the power amplifier.

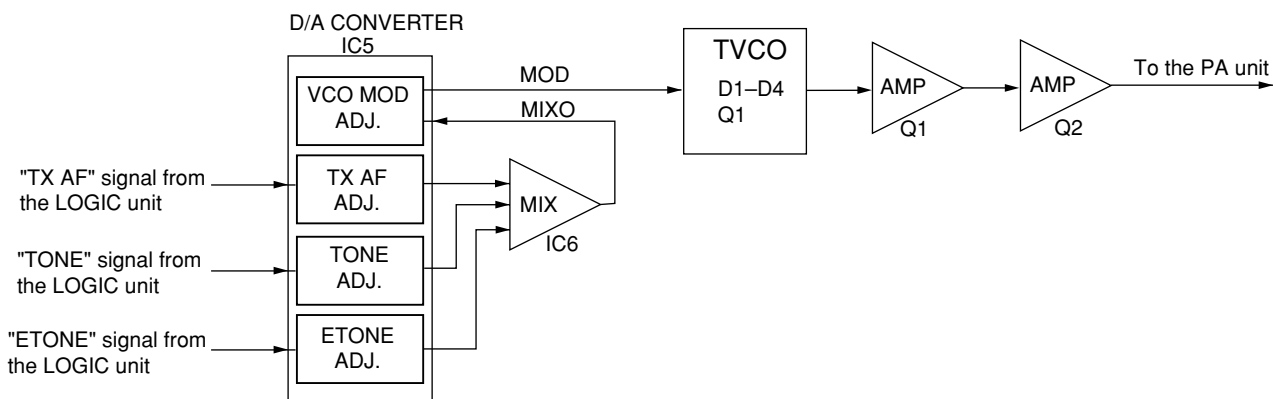
• IC-FR4000 (50PA UNIT)

The RF signal from the TX unit pass through the attenuator circuit (R12–R14), the low-pass filter circuit (L1, L13, C3, C4), and is then applied to the YGR amplifier (Q1). The amplified signal passes through the low-pass filter circuit (L4, L5, C8, C9, C56, C66), the attenuator circuit (R3–R5), and is then applied to the pre-drive amplifier IC1.

• IC-FR4100 (25PA UNIT)

The RF signal from the TX unit pass through the low-pass filter circuit (L19, L22, C112, C60), is applied to the pre-drive (Q4) to amplify the level needed at the power amplifier (IC2). The amplified signal passes through the low-pass filter circuit (L23, L24, C113–C116), the attenuator circuit (R29, R31, R32), and is then applied to the power amplifier (IC2).

• MODULATION CIRCUITS (TX UNIT)



3-2-4 POWER AMPLIFIER CIRCUIT (50PA OR 25PA UNIT)

The power amplifier circuit amplifies the driver signal to an output power level.

• IC-FR4000 (50PA UNIT)

The RF signal from the pre-drive amplifier (IC1) is applied to the power amplifier (Q2) to obtain 50 W of RF power.

The amplified signal from the power amplifier (Q2) is passed through the low-pass filter circuit (L8–L10, C24–C26, C27, C29–C32) and APC detector (D2, D4, R8, R9, R25, R26, R29, R30, C88, C89), and are then applied to the TX antenna connector (CHASSIS unit; J1).

Control voltage for the pre-drive amplifier (IC1, pin 2) comes from the APC amplifier (IC6, IC7, D10) to obtain stable output power. The transmit mute switch (Q3, Q5, Q8, Q9, D11) controls YGR amplifier and pre-drive amplifier when transmit mute is necessary.

• IC-FR4100 (25PA UNIT)

The amplified signal from the power amplifier (IC2) is passed through the low-pass filter circuit (L6, L7, L20, L21, C1–C3, C98, C99, C117) and APC detector (D2, D4, R7, R8, R20, R21, R25, R26, R73, C78, C79), and is then applied to the TX antenna connector (CHASSIS unit; J1).

Control voltage for the pre-drive (Q4) and power amplifier (IC2) comes from the APC amplifier (IC1, Q9, Q10) to obtain stable output power. The transmit mute switch (Q7, Q8) controls the pre-drive (Q4) and power amplifier (IC2) when transmit mute is necessary.

3-2-5 APC CIRCUIT (50PA OR 25PA UNIT)

• IC-FR4000 (50PA UNIT)

The APC circuit protects the power amplifier from a mismatched output load and stabilizes the output power.

The APC detector circuit detects forward signals and reflection signals at D2 and D4 respectively. The combined voltage become minimum level when the antenna impedance is matched at 50 Ω , and the voltage is increased when it is mismatched.

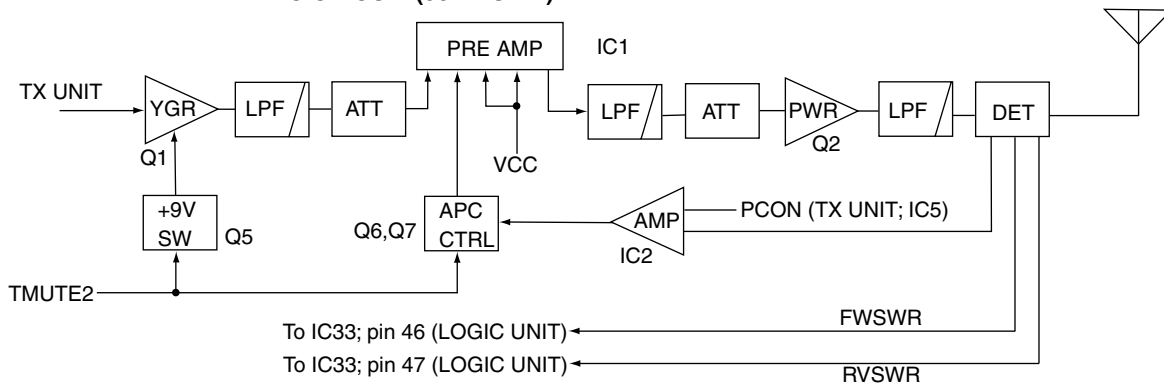
The detected voltage is applied to the APC amplifier (IC2, pin 3), and the power setting “PCON” signal from the D/A converter (TX unit; IC5), controlled by the CPU (LOGIC unit; IC33), is applied to APC amplifier (IC2, pin 1) for reference. When antenna impedance is mismatched, the detected voltage exceeds the power setting voltage. Then the output voltage of the APC amplifier (IC2, pin 4) controls the input current of the drive amplifier (IC1, pin 2) to reduce the output power.

• IC-FR4100 (25PA UNIT)

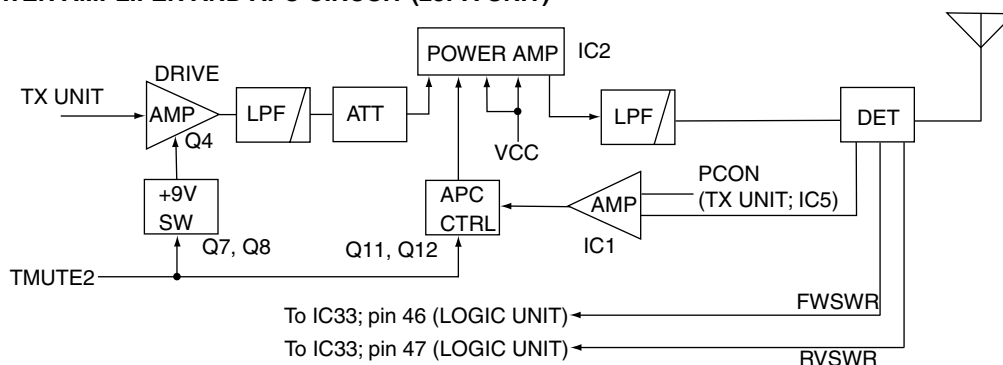
The APC detector circuit detects forward signals and reflection signals at D2 and D4 respectively. The combined voltage become minimum level when the antenna impedance is matched at 50 Ω , and the voltage is increased when it is mismatched.

The detected voltage is applied to the APC amplifier (IC1 pin 3), and the power setting “PCON” signal from the D/A converter (TX unit; IC5), controlled by the CPU (LOGIC unit; IC33), is applied to the the APC amplifier (IC1 pin 1) for reference. When antenna impedance is mismatched, the detected voltage exceeds the power setting voltage. Then the output voltage of the APC amplifier IC (IC1, pin 4) controls the input current of the power amplifier IC (IC2, pin 2) to reduce the output power.

• POWER AMPLIFIER AND APC CIRCUIT (50PA UNIT)



• POWER AMPLIFIER AND APC CIRCUIT (25PA UNIT)



3-3 PLL CIRCUITS

3-3-1 GENERAL

Each receiver and transmitter circuit has an independent PLL circuit for controlling frequencies. All PLL circuits are shielded and installed on the RX and TX units.

PLL circuits steadily oscillate the transmit frequency and the receive local frequency. The PLL output frequency is controlled by divided ratio (N-data) of the programmable divider.

3-3-2 RECEIVER PLL CIRCUIT (RX UNIT)

The PLL IC (IC4) which includes in the prescaler, the programmable counter and the phase comparator generates the 1st LO frequency with the VCO circuit (RVCO unit; Q1, D1–D4). The PLL IC sets the divided ratio which bases on N-data from the CPU (LOGIC unit; IC33) to control the programmable counter. The PLL IC compares a phases of the VCO signal with the reference oscillator frequency, and is then applied to the VCO circuit (RVCO unit; Q1, D1–D4).

3-3-3 RECEIVER REFERENCE OSCILLATOR CIRCUIT (RX UNIT)

The 12.8 MHz reference frequency is produced by the oscillator (X3). The frequency is adjusted by the D/A converter IC (LOGIC unit; IC25). The reference frequency is applied to the PLL IC (IC4, pin 1).

3-3-4 RECEIVER VCO CIRCUIT (RVCO UNIT)

The VCO circuit (D1–D4, Q1) generates the receive frequency. The signal is applied to the buffer amplifier (Q2), and is applied to the PLL IC (RX unit; IC4). The signal is amplified at the buffer amplifiers (RX unit; Q8, Q9), and is then applied to the 1st mixer circuit (RX unit; IC1) as 1st LO signal.

A part of the signal is applied to the PLL IC (RX unit; IC4) via the amplifier (RX unit; Q14) as RX PLL lock voltage.

3-3-5 TRANSMITTER PLL CIRCUIT (TX UNIT)

The PLL IC (IC2) which includes in the prescaler, the programmable counter and the phase comparator. The PLL IC sets the divided ratio which bases on N-data from the CPU (LOGIC unit; IC33) to control the programmable counter. The PLL IC compares a phases of the VCO signal with the reference oscillator frequency, and is then applied to the VCO circuit (TVCO unit; Q1, D1–D4).

3-3-6 TRANSMITTER REFERENCE OSCILLATOR CIRCUIT (TX UNIT)

The 12.8 MHz reference frequency is produced by the oscillator (X1). The frequency is adjusted by the D/A converter IC (IC5, pin 14). The reference frequency is applied to the PLL IC (IC2, pin 1).

3-3-7 TRANSMITTER VCO CIRCUIT (TVCO UNIT)

The VCO circuit (Q1, D1–D4) generates the transmit frequency. The signal is applied to the buffer amplifier (Q2) and is then applied to the PLL IC (TX unit; IC2) and buffer amplifier (TX unit; Q1, Q2). The amplified signal is applied to the PA unit.

A part of the signal is applied to the PLL IC (TX unit; IC4) via the amplifier (TX unit; Q3) as TX PLL lock voltage.

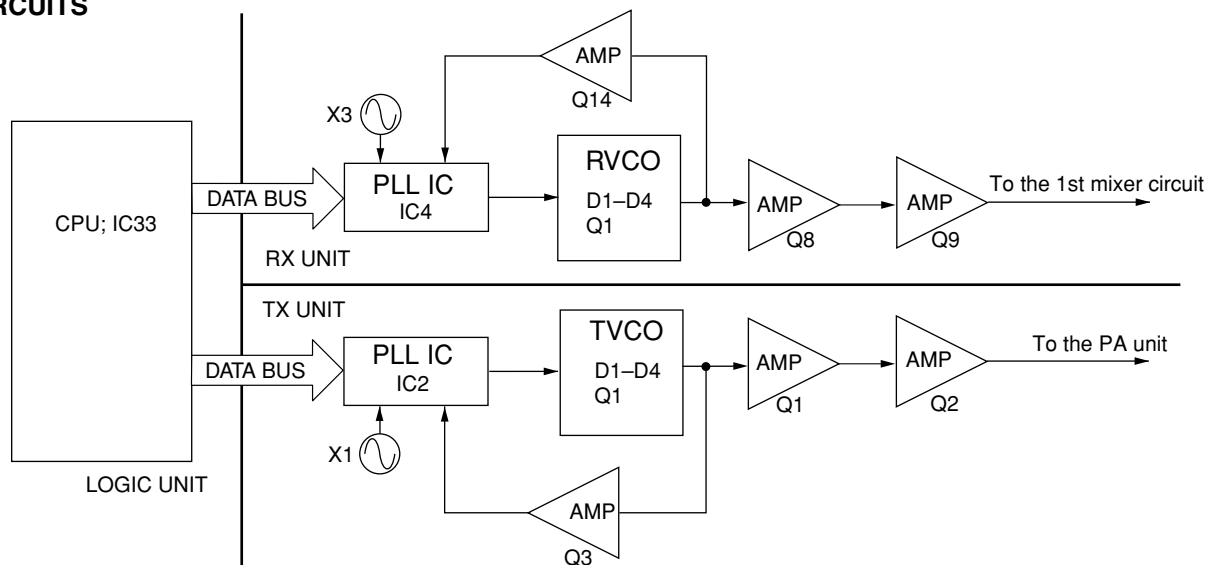
3-4 OTHER CIRCUITS

3-4-1 TELEPHONE IF CIRCUIT (LOGIC UNIT)

The signals from the telephone line (FRONT, J13) are applied to the ringer detect circuit (C100, C103, C375, R131, D1, D5, R143, R145, IC48). The detected signals are applied to the CPU (IC33, pin 73) via "RING" line. The "HOOKC" signal from the CPU (IC33, pin 72) and the "DP" signal from IC47 are applied to the hook switch (RL1, RL2) to off-hook.

Received AF signals from the RX unit pass through the high-pass filter, de-emphasis and low-pass filter circuits. The filtered AF signals are amplified at IC7 and are then applied to the network IC (IC46, pin 16) via "T6" signal. The output signals from IC46 are applied to the J13 (FRONT unit).

• PLL CIRCUITS



AF signals from J13 (FRONT unit) are applied to the network IC (IC46). The output signals from IC46 (pins 8, 9) are applied to the AF amplifier IC (IC1, pin 2) via "T8" signal. The signals pass through the MIC mute switch, the MIC mixer amplifier, the pre-emphasis circuit, the high-pass filter, limiter amplifier circuit, S-mixer circuit, and splatter filter circuit. The filtered signals are applied to the TX unit.

After off-hook condition, DTMF signal from telephone line is applied to the decoder IC (IC31) to decode the DTMF signal. The DTMF signal is applied to the CPU (IC33) via serial data signal line.

The clear down signal is detected at IC45, and is then applied to the CPU (IC33). The "HOOKC" signal from the CPU (IC33, pin 72) and the "DP" signal from IC47 are applied to the hook switch (RL1, RL2) to on-hook.

3-4-2 EEPROM CIRCUIT (LOGIC UNIT)

The detector IC (IC34) detects power supply ON-OFF voltage. The signal from IC34 is applied to IC33 (CPU). IC35, IC36 are reset signal circuit which stabilizes to memory for the EEPROM (IC37). the EEPROM (IC37) memories clone data, adjust setting condition data etc.

3-4-3 TEMPERATURE DETECT CIRCUIT (LOGIC UNIT)

The temperature detect circuit protects the power amplifier and power supply circuit from high temperature and stabilizes the output power.

Inside temperature of the PA unit is detected at D1 (VARISTOR unit) and is then applied to the amplifier (PA unit; IC4). The amplified signal is applied to the CPU (IC33) to analyze the temperature via IC32.

Inside temperature of the REG unit is detected at D6 (REG unit) and is then applied to the amplifier (REG unit; IC9). The amplified signal applied to the CPU (IC33) to analyze the temperature via IC32.

IC32 selects "PATEMP" or "REGTEMP" signals from the PA or REG unit.

3-5 POWER SUPPLY CIRCUITS

3-5-1 LOGIC AND REG UNITS VOLTAGE LINES

| Line | Description |
|--------|--|
| PS 15V | The voltage from the DC power unit (CHASSIS; EP1). |
| VCC1 | The same voltage as the PS 15V line which is controlled by the power switch. |
| M9V | Common 9 V for converted from the VCC1 line by the M9V regulator circuit (REG unit; IC1, Q8, Q9). The voltage is applied to the TX and RX units. |
| L9V | Common 9 V converted from the VCC1 line by the L9V regulator circuit (REG unit; IC2). |
| A5V | Common 5 V converted from the L9V line by the A5V regulator circuit (REG unit; IC3). |
| L5V | Common 5 V converted from the L9V line by the L5V regulator circuit (LOGIC unit; IC38, Q48, D43). |
| C5V | Common 5 V converted from the L9V line by the C5V regulator circuit (LOGIC unit; IC38, Q45, D13). |
| TEL5V | Common 5 V converted from the M9V line by the TEL5V regulator circuit (LOGIC unit; IC11). |

3-5-2 RX UNIT VOLTAGE LINES

| Line | Description |
|------|---|
| +5V | Common 5 V converted from the M9V line by the +5V regulator circuit (RX unit; IC3). |
| +6V | Common 6 V converted from the M9V line by the +6V regulator circuit (RX unit; IC7). |
| R5V | Receive 5 V converted from the R9V line by the R5V regulator circuit (RX unit; IC6). |
| R9V | Receive 9 V controlled by the R9V regulator circuit (RX unit; Q15) using "R9C" signal from IC39 (LOGIC unit). |
| V9V | The same voltage as the M9V. |

3-5-3 TX UNIT VOLTAGE LINES

| Line | Description |
|------|---|
| T5V | Transmit 5 V converted from the M9V line by the T5V regulator circuit (TX unit; IC1). |
| T6V | Transmit 6 V converted from the M9V line by the T6V regulator circuit (TX unit; IC4). |
| V9V | Common 9 V converted from the M9V line by the V9V regulator circuit (TX unit; Q6). |

3-6 PORT ALLOCATIONS

3-6-1 EXPANDER IC (LOGIC UNIT; IC39)

| Pin number | Port name | Description |
|------------|-----------|--|
| 4 | BASL | Outputs the control signal for "BASE" LED on the FRONT unit. |
| 5 | RMTL | Outputs the control signal for "REMOTE" LED on the FRONT unit. |
| 6 | BUSYL | Outputs the control signal for "BUSY" LED on the FRONT unit. |
| 7 | TXL | Outputs the control signal for "TX" LED on the FRONT unit. |
| 12 | D5C | Outputs the control signal for the D5V on the FRONT unit. |
| 13 | PROGL | Outputs the control signal for "P" LED on the FRONT unit. |
| 14 | DCL | Outputs the control signal for "DC" LED on the FRONT unit. |

3-6-2 EXPANDER IC (LOGIC UNIT; IC40)

| Pin number | Port name | Description |
|------------|-----------|--|
| 4 | AFMUTE1 | Outputs the speaker mute signal for the received AF. |
| 5 | AFMUTE2 | Outputs the speaker mute signal for the received 2/5TONE and DTMF signals. |
| 6 | MICMUTE1 | Outputs the MIC mute signal for the hand microphone. |
| 7 | MICMUTE2 | Outputs the MIC mute signal for the REMOTE connector. |
| 11 | TELBMR | Outputs the pulse control signal for the telephone dialer IC |
| 12 | TELMUTE2 | Outputs the MOD mute signal for AF signal from the telephone line. |
| 13 | TELMUTE1 | Outputs the telephone mute signal for the received AF signal. |
| 14 | MICMUTE3 | Outputs the MIC mute signal for the ACC connector. |

3-6-3 EXPANDER IC (LOGIC UNIT; IC41)

| Pin number | Port name | Description |
|------------|--------------|---|
| 5 | R/BSW | Outputs the switch control signal for the received AF signal to the microphone amplifier. |
| 6 | W/NS | Outputs the control signal for narrow/wide bands. |
| 7 | R9C | Outputs the control signal for the +9V regulator on the RX unit. |
| 12 | M9C | Outputs the control signal for the M9V regulator on the Rx unit and TX unit. |
| 13 14 | OPT1 OPT3 | Output the detection signals whether optional boards are installed or not. |

3-6-4 D/A CONVERTER IC (LOGIC UNIT; IC25)

| Pin number | Port name | Description |
|------------|-----------|---|
| 6 | DA2STB | Input port for the strobe signal. |
| 7 | SCK | Input port for the clock signal. |
| 8 | SDTO | Outputs the serial data to the CPU (LOGIC unit; IC33). |
| 9 | AFFTTI | Input port for the received AF signal. |
| 10 | AFATTO | Outputs the adjusted AF signal for the repeater output. |
| 14 | RVCON | Outputs the adjustment signal for the PLL reference frequency on the RX unit. |
| 15 | TUNE | Outputs the BPF tuning signal to the RX unit. |

3-6-5 D/A CONVERTER IC (TX UNIT; IC5)

| Pin number | Port name | Description |
|------------|-----------|--|
| 1 | ETONE | Input port for the TONE signal from the ACC connector. |
| 2 | ETONEO | Outputs the adjusted external TONE signal. |
| 3 | TXAFO | Outputs the TX AF signal to the TX modulation. |
| 4 | TXAF | Input port for the AF signal. |
| 6 | DA1STB | Input port for the strobe signal. |
| 7 | SCK | Input port for the clock signal. |
| 8 | SDTO | Outputs the serial data signal to the CPU (LOGIC unit; IC33). |
| 9 | TONE | Input port for the TONE signal. |
| 10 | TONEO | Outputs the adjusted TONE signal. |
| 11 | PCON | Outputs the TX power control signal. |
| 14 | TVCON | Outputs the adjustment signal for the TX unit PLL reference frequency. |
| 15 | MODC | Outputs the control signal for modulation balance. |
| 21 | MIXO | Input port for the mixed signal with the external signal, TX AF signal and internal signals. |
| 22 | REFMOD | Outputs the adjustment signal for TONE balance. |
| 23 | MOD | Outputs the adjusted AF signal for the TX modulation. |
| 24 | MIXO | Input port for the mixed signal with the ETONE, TX AF and TONE signals. |

3-6-6 CPU (LOGIC UNIT; IC33)

| Pin number | Port name | Description |
|------------|------------|---|
| 1 | RPLSTB | Outputs the strobe signal for the PLL IC on the RX unit. |
| 2 | TPLSTB | Outputs the strobe signal for the PLL IC on the TX unit. |
| 3 | TUNLK | Input port for the unlock signal from the PLL IC on the TX unit. |
| 4 | TMUTE | Outputs the TX mute signal for the TX unit. |
| 5 | TMUTE2 | Outputs the TX mute signal for the PA unit. |
| 8 | M_PTT | Input port for the PTT switch signal from the microphone. |
| 9 | SPMUTE | Input port for [SPMUTE] switch. |
| 10 | REMOTE | Input port for [REMOTE] switch. |
| 11 | R/B | Input port for [R/B] switch. |
| 13 | MBEEP | Outputs the BEEP signal for modulation. |
| 15 | MONI | Input port for [MONI] switch. |
| 16 | CHUP | Input port for [CHUP] switch. |
| 17 | CHDN | Input port for [CHDN] switch. |
| 18 | DISP | Input port for [DISP] switch. |
| 19 | PROG | Input port for [PROG] switch. |
| 26 | COAXSW | Outputs the antenna switching signal. |
| 27 | CWO | Outputs the CW signal for transmit. |
| 28 | KBEEP | Outputs the beep audio signals to the speaker. |
| 29 | M/SO | Outputs the master/slave switching signal. |
| 30 | M/SI | Input port for the master/slave switching signal. |
| 33 | E_PTT | Input port for the PTT signal from the REMOTE connector. |
| 34 | E_PT2 | Input port for PTT signal from the ACC connector. |
| 35-39 | D0-D4 | Input port for the memory channel control signal. |
| 40 | NDET | Input port for the noise signal from the FM IF IC (RX unit; IC2). |
| 41 | SW | Outputs the temperature or PLL lock voltage switching signal. |
| 43 | 2/5T DTMFO | Outputs the 2/5TONE and DTMF signals. |
| 44 | CTDTO | Outputs the CTCSS/DTCS signals. |
| 45 | PSD | Input port for the detection signal from the REG unit. |
| 46 | FWSWR | Input port for FW SWR signal from the PA unit. |

CPU-Continued

| Pin number | Port name | Description |
|------------|-----------|---|
| 47 | RVSWR | Input port for the RV SWR signal from the PA unit. |
| 48 | TEMP | Input port for the temperature signals of PA and REG units. |
| 49 | T/RLV | Input port for the VCO lock voltage of the TX and RX units. |
| 50 | RSSI | Input port for the RSSI signal from the FM IF IC (RX unit; IC2). |
| 51 | 25TI | Input port for the 2/5TONE signals. |
| 52 | DTCS | Input port for the DTCS signal. |
| 68 | TEL-BUSY | Input port for the busy signal from the pulse tone dialler IC (LOGIC unit; IC47). |
| 69 | MCK | Outputs the serial clock signal for the EEPROM (LOGIC unit; IC37). |
| 70 | MDT | I/O port for the serial data signal from/to the EEPROM (LOGIC unit; IC37). |
| 71 | TELSTB | Outputs strobe signal for the pulse tone dialler IC (LOGIC unit; IC47). |
| 72 | HOOKC | Outputs the ON/OFF HOOK control signal for the telephone line. |
| 73 | RING | Input port for the ringer detecting signal from the telephone line. |
| 74 | SHIFT | Outputs the control signal for the clock shift circuit. |
| 75 | INT | Input port for the power supply detection signal. |
| 76 | TXDTO | Outputs the serial data signal to the ACC connector. |
| 77 | RXDTO | Input port for serial data signal from the ACC connector. |
| 78 | DTSEL1 | Outputs the control signal for the DTMF SW IC (LOGIC unit; IC50). |
| 79 | TXD1 | Outputs the clone data signal. |
| 80 | RXD1 | Input port for the clone data signal. |
| 81 | DTSEL2 | Outputs the control signal for the DTMF SW IC (LOGIC unit; IC30). |
| 82 | DTSTD | Input port for the TONE detecting signal from the DTMF decoder IC (LOGIC unit; IC31). |
| 85 | DTMFD | Input port for the data decoding signal from the DTMF decoder IC (LOGIC unit; IC31). |
| 86 | DTACK | Outputs the clock signal for the DTMF decoder IC (LOGIC unit; IC31). |
| 87 | ONHOOK | Input port for the detection signal of the ON-HOOK signal. |
| 88 | IOE | Outputs the control signal for the port expander IC (LOGIC unit; IC39–IC41). |

CPU-Continued

| Pin number | Port name | Description |
|------------|-----------|---|
| 89 | PE3STB | Outputs the strobe signal for the port expander IC (LOGIC unit; IC41). |
| 90 | PE2STB | Outputs the strobe signal for the port expander IC (LOGIC unit; IC40). |
| 91 | PE1STB | Outputs the strobe signal for the port expander IC (LOGIC unit; IC39). |
| 95 | D2STB | Outputs the strobe signal for the D/A converter IC (LOGIC unit; IC25). |
| 96 | D1STB | Outputs the strobe signal for the D/A converter IC (TX unit; IC5). |
| 97 | SDTO | Outputs the serial data signal for the PLL IC (RX unit; IC4, TX unit; IC2), dialer IC (LOGIC unit; IC47), port expander IC (LOGIC unit; IC39–IC41) and optional boards. |
| 98 | SCK | Outputs the clock signal for the PLL IC (RX unit; IC4, TX unit; IC2), dialer IC (LOGIC unit; IC47), port expander IC (LOGIC unit; IC39–IC41) and optional boards. |
| 99 | RUNLK | Input port for the unlock signal from the PLL IC (RX unit; IC4) on the RX unit. |
| 100 | C/DSW | Outputs the control signal for the CTCSS/DTCS filter (LOGIC unit; IC4). |

SECTION 4 ADJUSTMENT PROCEDURES

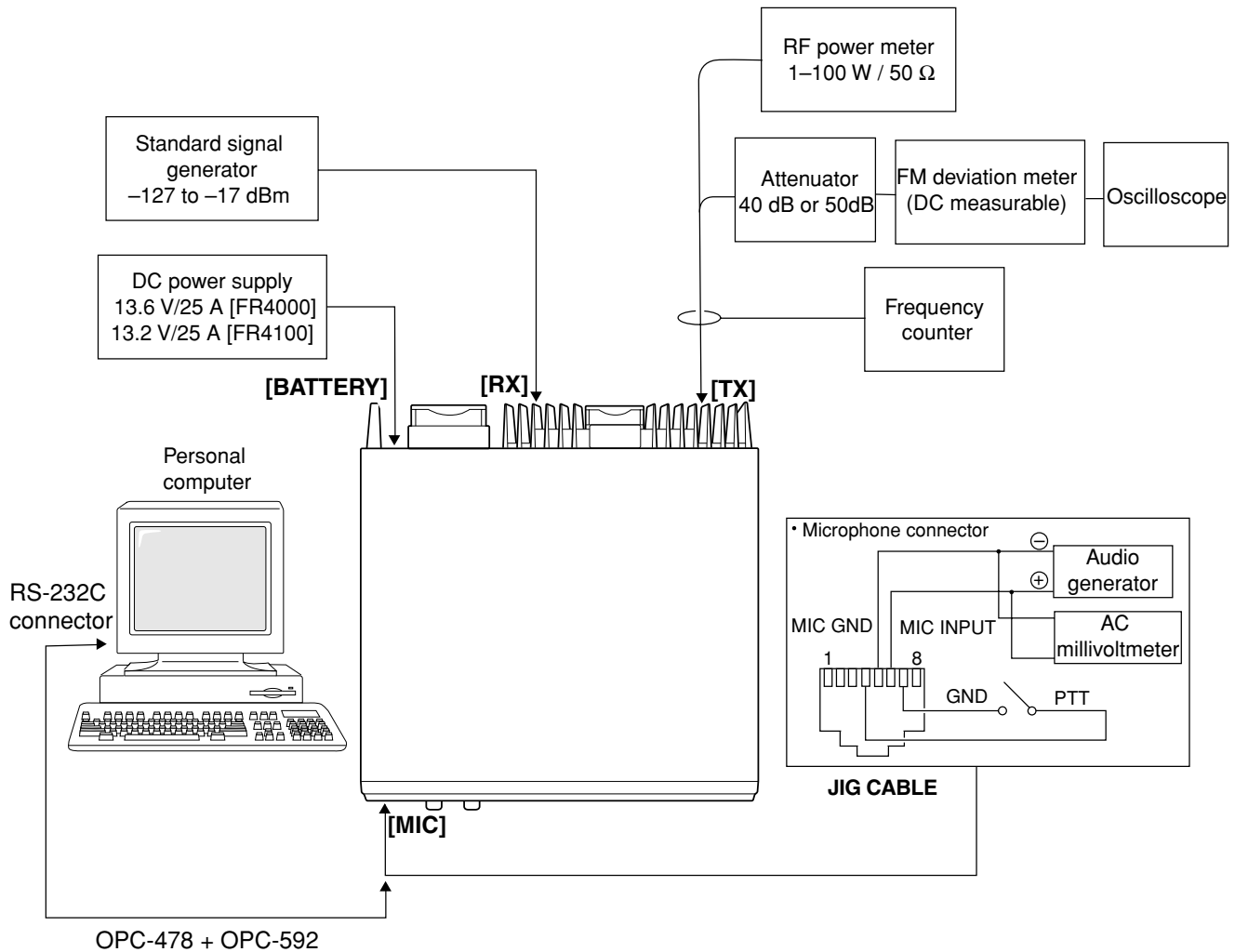
4-1 PREPARATION

Some adjustments must be performed on the "ADJUSTMENT MODE". CS-FR3000 CLONING SOFTWARE, OPC-478 CLONING CABLE, OPC-592 ADAPTOR CABLE are required when enter the adjustment mode. Refer to the next page in detail.

■ REQUIRED TEST EQUIPMENT

| EQUIPMENT | GRADE AND RANGE | EQUIPMENT | GRADE AND RANGE |
|-------------------------------------|---|---------------------------------|---|
| DC power supply | Output voltage : 13.6 V DC [FR4000] 13.2 V DC [FR4100] | Audio generator | Frequency range : 300–3000 Hz Output level : 1–500 mV |
| | Current capacity : 25 A or more | Attenuator | Power attenuation : 40 or 50 dB Capacity : 100 W or more |
| RF power meter (terminated type) | Measuring range : 1–100 W Frequency range : 300–600 MHz Impedance : 50 Ω SWR : Less than 1.2 : 1 | Standard signal generator (SSG) | Frequency range : 120–600 MHz Output level : 0.1 μV–32 mV (–127 to –17 dBm) |
| | Frequency counter | AC millivoltmeter | Measuring range : 10 mV–10 V |
| FM deviation meter | Frequency range : DC–600 MHz Measuring range : 0 to ±5 kHz | Oscilloscope | Frequency range : DC–20 MHz Measuring range : 0.01–20 V |
| | | Digital multimeter | Input impedance : 10 MΩ/V DC or better |

• CONNECTION



■ BEFORE ENTERING THE ADJUSTMENT MODE

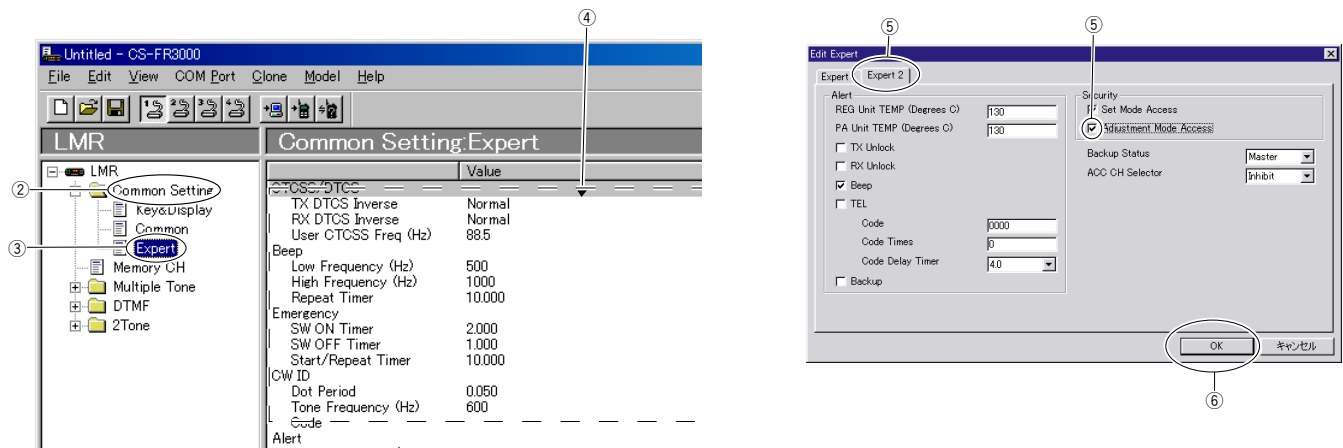
CAUTION!: Need to back up the original memory data using CS-FR3000 before cloning the adjustment frequencies.

When program the adjustment frequencies into the repeater, the repeater's memory channels will be overwritten the data and deleted original memory data at the same time.

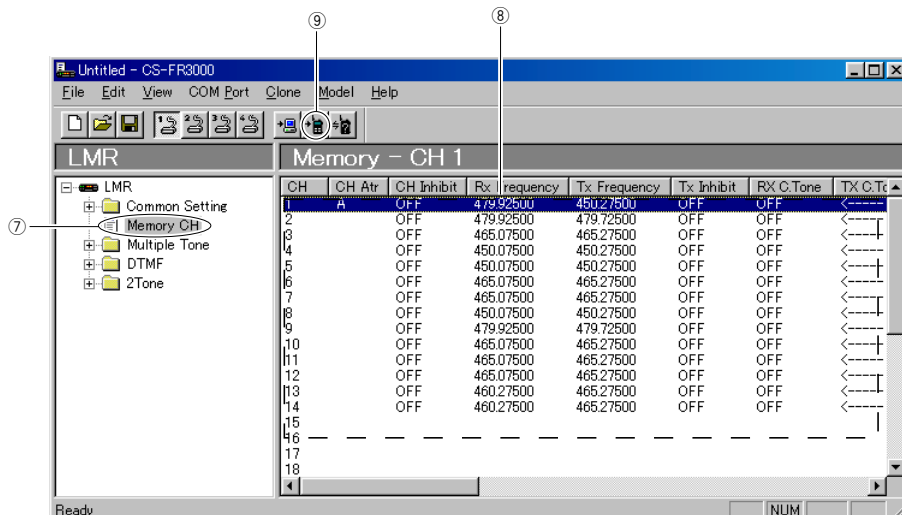
Need to do cloning "Adjustment Mode Access" permitting and adjustment frequencies into the CPU using with the CS-FR3000 before entering the adjustment mode. Otherwise, the repeater can not enter the adjustment mode.

■ PROCESS TO PERMIT "ADJUSTMENT MODE ACCESS"

- ① Run the CS-FR3000 CLONING SOFTWARE.
- ② Open the "Common Setting" folder .
- ③ Click the "Expert" card on the tree view window.
- ④ Double-click somewhere on the Common setting screen window, then appear the "Edit Expert" window.
- ⑤ Click the "Expert 2" tab, then click the "Adjustment Mode Access" check box.
- ⑥ Click "OK" button.
- ⑦ Click the "Memory CH" card on the tree view window.
- ⑧ Input all adjustment frequencies as page 4-4.
- ⑨ Cloning to the repeater then the repeater can be enter the adjustment mode.
Show the next page to enter the adjustment mode.

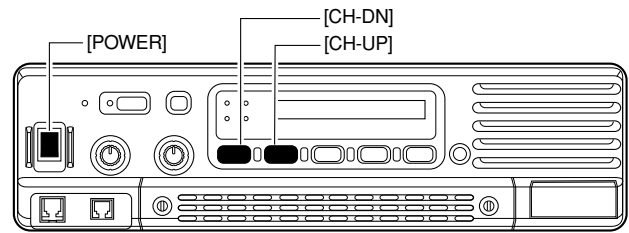


MEMORY CHANNEL SCREEN (Sample only)



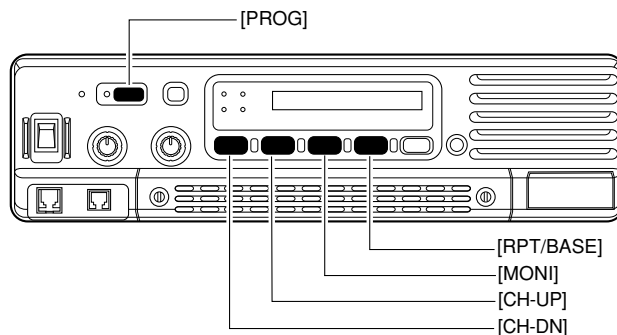
■ ENTERING THE ADJUSTMENT MODE

- ① Turn the power OFF.
- ② While pushing and holding both [CH-DN] and [CH-UP], turn ON.
NEVER release [CH-DN] and [CH-UP] until 1 short beep sounds.
- ③ Push [CH-DN] button, then sounds 2 beep audio.



■ OPERATING IN THE ADJUSTMENT MODE

- Change the item (including frequency) (+1). : Push [CH-UP] button.
 - Change the item (including frequency) (-1). : Push [CH-DN] button.
 - Adjust the specified value (+1). : Push [PRT/BASE] button.
 - Adjust the specified value (-1). : Push [MONI] button.
 - Change the TX and RX's condition. : Push [PROG] button.
- Change the condition TX reference frequency to RX reference frequency.
Change the condition TX "HIGH POWER" to TX "LOW POWER".



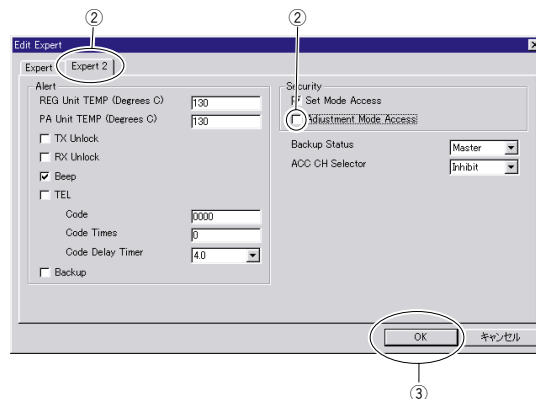
■ EXITING THE ADJUSTMENT MODE

- ① Turn the power OFF.
- ② While pushing and holding and [CH-UP], turn ON.
NEVER release [CH-UP] until 1 short beep sounds.
- ③ Push [CH-UP] button, then sounds 2 beep audio.

■ AFTER FINISHING ADJUSTMENT

CAUTION!: When the adjustment is finished, the repeater need to be canceled adjustment mode.
Otherwise the repeater does not work properly.

- ① Perform the step ① to ④, described in the PROCESS TO PERMIT "ADJUSTMENT MODE ACCESS" (see page 4-2).
- ② Click the "EXPERT 2" tab, then clear the check box for the "Adjustment Mode Access".
- ③ Click "OK" button, then cloning with the original memory data.



■ ADJUSTMENT MODE FREQUENCY LIST

| CH | [USA1], [GEN1], [GEN5], [EUR1], [FRG1] (MHz) | [GEN2], [GEN6] (MHz) | [USA3], [GEN3], [GEN7], [EUR3], [FRG3] (MHz) | LCD DISPLAY | W/N | ADJUSTMENT |
|-----|--|------------------------------|--|-------------------|-----|--|
| A01 | 429.925 (RX) 400.275 (TX) | 449.925 (RX) 430.275 (TX) | 479.925 (RX) 450.275 (TX) | A01 LW TXREF 127 | W | TVCO/RVCO adjustment. Reference frequency adjustment. |
| A02 | 429.925 (RX) 429.725 (TX) | 449.925 (RX) 449.725 (TX) | 479.925 (RX) 459.725 (TX) | A02 LW HRTUN 115 | W | NONE |
| A03 | 415.075 (RX) 415.275 (TX) | 440.075 (RX) 440.275 (TX) | 465.075 (RX) 465.275 (TX) | A03 LW MRTUN 088 | W | RX sensitivity adjustment. |
| A04 | 400.075 (RX) 400.275 (TX) | 430.075 (RX) 430.275 (TX) | 450.075 (RX) 450.275 (TX) | A04 LW LRTUN 055 | W | NONE |
| A05 | 400.075 (RX) 400.275 (TX) | 430.075 (RX) 430.275 (TX) | 450.075 (RX) 450.275 (TX) | A05 LW RPTSQL 150 | W | RPT SQL adjustment. |
| A06 | 415.075 (RX) 415.275 (TX) | 440.075 (RX) 440.275 (TX) | 465.075 (RX) 465.275 (TX) | A06 HW POWER 166 | W | TX power adjustment. |
| A07 | 415.075 (RX) 415.275 (TX) | 440.075 (RX) 440.275 (TX) | 465.075 (RX) 465.275 (TX) | A07 LW M DEV 143 | W | TX modulation adjustment. |
| A08 | 400.075 (RX) 400.275 (TX) | 430.075 (RX) 430.275 (TX) | 450.075 (RX) 450.275 (TX) | A08 LW LMODC 073 | W | TX modulation adjustment. |
| A09 | 429.925 (RX) 429.725 (TX) | 449.925 (RX) 449.725 (TX) | 479.925 (RX) 479.725 (TX) | A09 LW HMODC 191 | W | TX modulation adjustment. |
| A10 | 415.075 (RX) 415.275 (TX) | 440.075 (RX) 440.275 (TX) | 465.075 (RX) 465.275 (TX) | A10 LW CTCDEV 134 | W | CTCSS modulation adjustment. |
| A11 | 415.075 (RX) 415.275 (TX) | 440.075 (RX) 440.275 (TX) | 465.075 (RX) 465.275 (TX) | A11 LW DTCADJ 159 | W | DTCS modulation adjustment. |
| A12 | 415.075 (RX) 415.275 (TX) | 440.075 (RX) 440.275 (TX) | 465.075 (RX) 465.275 (TX) | A12 LN CTCDEV 062 | N | CTCSS modulation adjustment. (NARROW) |
| A13 | 410.275 (RX) 415.275 (TX) | 435.275 (RX) 440.275 (TX) | 460.275 (RX) 465.275 (TX) | A13 LW RPTAF 141 | W | RPT modulation adjustment. (WIDE) |
| A14 | 410.275 (RX) 415.275 (TX) | 435.275 (RX) 440.275 (TX) | 460.275 (RX) 465.275 (TX) | A14 LN RPTAF 126 | N | RPT modulation adjustment. (NARROW) |

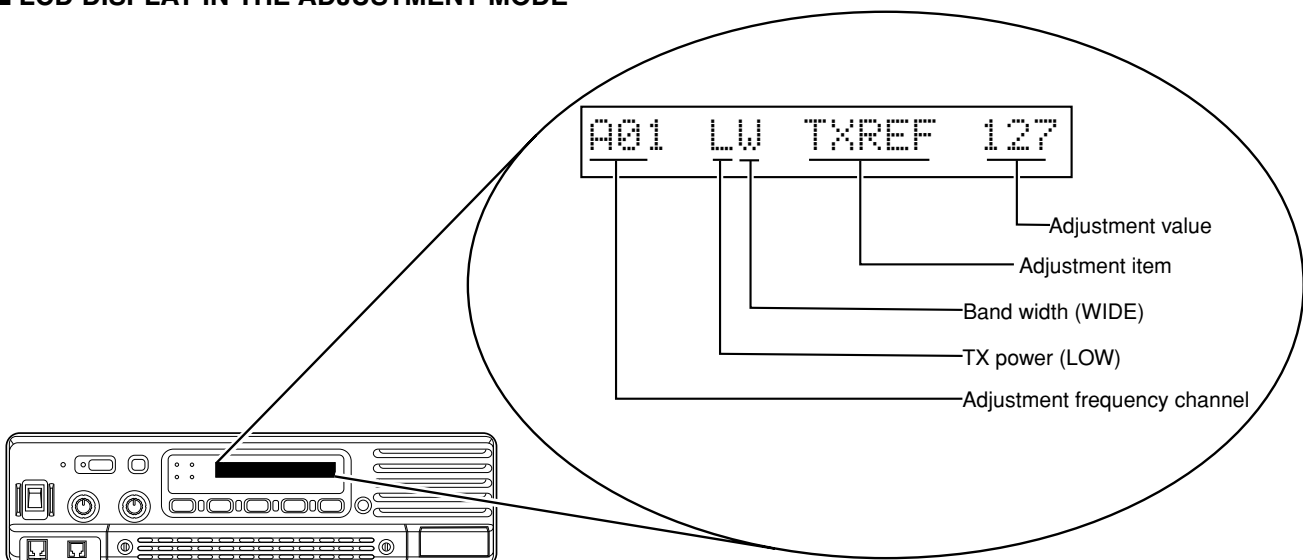
[USA1], [GEN1], [GEN5], [EUR1], [FRG1]: 400–430 MHz version

[GEN2], [GEN6]: 430–450 MHz version

[USA3], [GEN3], [GEN7], [EUR3], [FRG3]: 450–480 MHz version

LCD display's detail as shown below. A number of 3 figures is a adjustment value (sample).

■ LCD DISPLAY IN THE ADJUSTMENT MODE



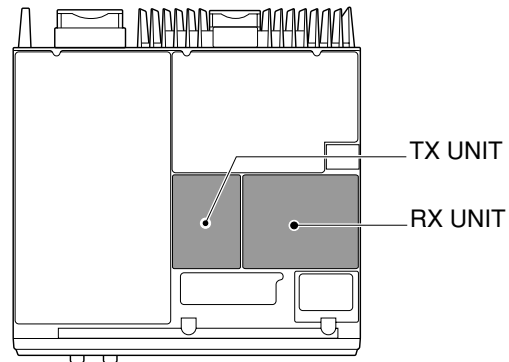
4-2 PLL ADJUSTMENT

| ADJUSTMENT | ADJUSTMENT CONDITIONS | MEASUREMENT | | VALUE | ADJUSTMENT | |
|---------------------|--|-------------|---|--|------------|---------------------|
| | | UNIT | LOCATION | | UNIT | ADJUST |
| TX VCO LOCK VOLTAGE | 1 <ul style="list-style-type: none"> • LCD display : A01 LW TXREF 127 • Receiving | TX | Connect the digital multi meter or oscilloscope to check point CP1. | 1.0 V ①, ②, ④ 0.8 V ③, ⑤ | TVCO | C17 |
| RX VCO LOCK VOLTAGE | 1 <ul style="list-style-type: none"> • LCD display : A01 LW TXREF 127 • Receiving | RX | Connect the digital multi meter or oscilloscope to check point CP1. | 4.3 V ①, ③, ④, ⑤ 3.5 V ② | RVCO | C17 |
| REFERENCE FREQUENCY | 1 <ul style="list-style-type: none"> • Wait for 5 minutes after power ON. • LCD display : A01 LW TXREF • Connect the RF power meter or 50 Ω dummy load to the [TX] antenna connector. • Transmitting | REAR panel | Loosely couple the frequency counter to the [TX] antenna connector. | 400.2750 MHz ①, ④ 430.2750 MHz ② 450.2750 MHz ③, ⑤ | FRONT | [PRT/BASE] / [MONI] |
| | 2 <ul style="list-style-type: none"> • Push the [PROG] button. • LCD display : A01 LW RXREF • Receiving | RX | Connect the frequency counter to check point HJ4. | 359.2750 MHz ①, ④ 379.9250 MHz ② 409.9250 MHz ③, ⑤ | FRONT | [PRT/BASE] / [MONI] |

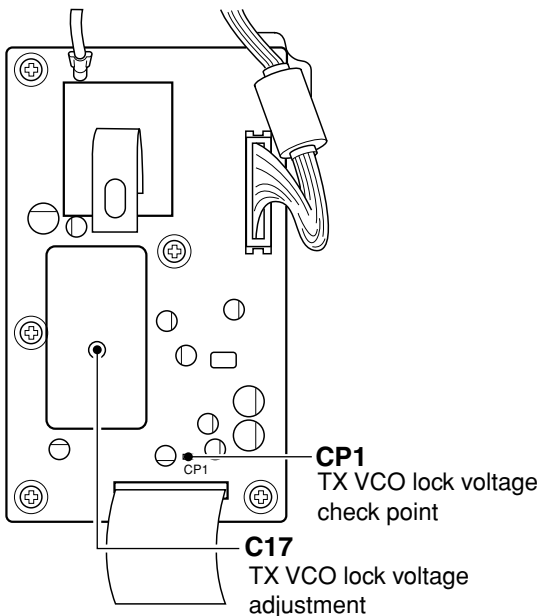
①: [USA1], [GEN1], [GEN5], [EUR1]
 ②: [GEN2], [GEN6]
 ③: [USA3], [GEN3], [GEN7], [EUR3]

④: [FRG1]
 ⑤: [FRG3]

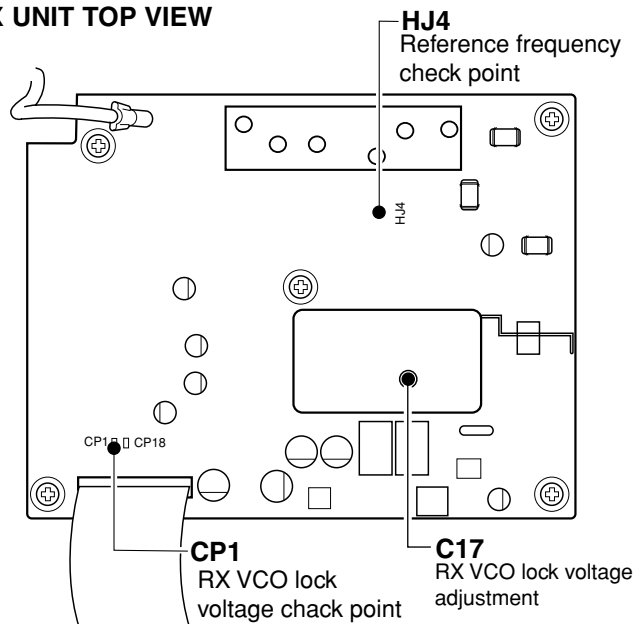
• TOP VIEW



• TX UNIT TOP VIEW



• RX UNIT TOP VIEW



4-3 RECEIVER ADJUSTMENT

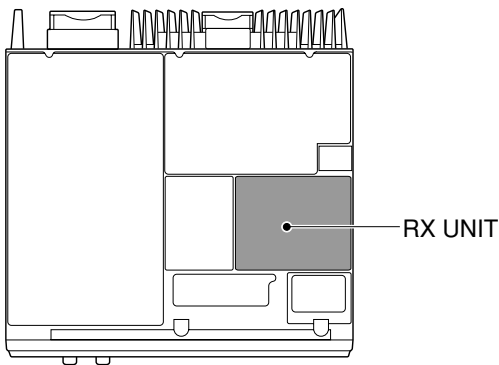
| ADJUSTMENT | ADJUSTMENT CONDITIONS | MEASUREMENT | | VALUE | ADJUSTMENT | |
|----------------------|--|-------------|--|-----------------|------------|------------------------------|
| | | UNIT | LOCATION | | UNIT | ADJUST |
| RX SENSITIVITY | 1 <ul style="list-style-type: none"> LCD display : A03 LW MRTUN 083 Connect the standard signal generator to the [RX] antenna connector and set as: <ul style="list-style-type: none"> Frequency : 415.0750 MHz ①, ④ 440.0750 MHz ② 465.0750 MHz ③, ⑤ Level : 32 μV* (-77 dBm) Modulation : 1 kHz Deviation : \pm3 kHz ①, ②, ③ \pm2.4 kHz ④, ⑤ Receiving | RX | Connect the digital multi meter or oscilloscope to check point CP18. | Maximum voltage | RX | C10, C11, C12, C26, C27, C28 |
| REPEATER SENSITIVITY | 1 <ul style="list-style-type: none"> LCD display : A05 LW RPTSQL Connect the standard signal generator to the [RX] antenna connector and set as: <ul style="list-style-type: none"> Frequency : 400.0750 MHz ①, ④ 430.0750 MHz ② 450.0750 MHz ③, ⑤ Level : 0.2 μV* (-121 dBm) Modulation : 1 kHz Deviation : \pm3 kHz ①, ②, ③ \pm2.4 kHz ④, ⑤ Connect the RF power meter to the [TX] antenna connector. Receiving | FRONT | Speaker | Squelch open | FRONT | [PRT/BASE] / [MONI] |

*The output level of the standard signal generator (SSG) is indicated as the SSG's open circuit.

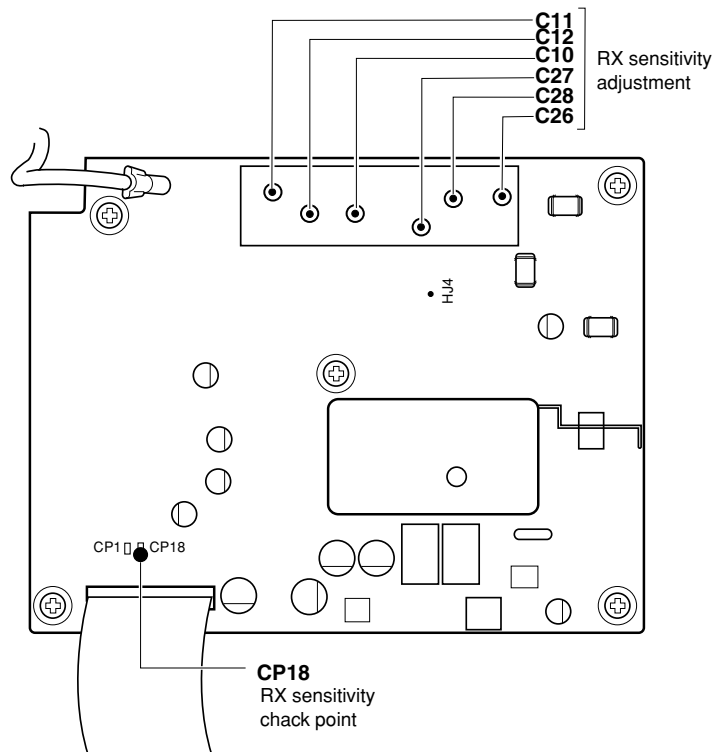
- ①: [USA1], [GEN1], [GEN5], [EUR1]
- ②: [GEN2], [GEN6]
- ③: [USA3], [GEN3], [GEN7], [EUR3]

- ④: [FRG1]
- ⑤: [FRG3]

• TOP VIEW



• RX UNIT TOP VIEW



4-4 SOFTWARE ADJUSTMENT

Select an item using [CH-UP] / [CH-DN] buttons, then set specified value using [RPT/BASE] / [MONI] buttons on the FRONT PANEL.

| ADJUSTMENT | ADJUSTMENT CONDITION | MEASUREMENT | | VALUE |
|---------------------------------|---|-------------|--|------------------------------------|
| | | UNIT | LOCATION | |
| OUTPUT POWER Power (Hi) | 1 <ul style="list-style-type: none"> • LCD display : A06 HW POWER • Operating freq. : 415.2750 MHz ①, ④ 440.2750 MHz ② 465.2750 MHz ③, ⑤ • Transmitting | Rear panel | Connect the RF power meter to the [TX] antenna connector. | 50.0 W [FR4000] 25.0 W [FR4100] |
| Power (LOW) | 2 <ul style="list-style-type: none"> • Push the [PROG] button. • LCD display : A06 LW POWER • Operating freq. : 415.2750 MHz ①, ④ 440.2750 MHz ② 456.2750 MHz ③, ⑤ • Transmitting | | | 10.0 W [FR4000] 5.0 W [FR4100] |
| FM DEVIATION | 1 <ul style="list-style-type: none"> • LCD display : A07 LW M DEV • Operating freq. : 415.2750 MHz ①, ④ 440.2750 MHz ② 465.2750 MHz ③, ⑤ • IF bandwidth : Wide • Connect the audio generator to the [MIC] jack through the JIG cable and set as: 1.0 kHz/40 mVrms • Set an FM deviation meter as: HPF : OFF LPF : 20 kHz De-emphasis: OFF Detector : (P-P)/2 • Transmitting | Rear panel | Connect the FM deviation meter to the [TX] antenna connector through the attenuator. | ±4.5 kHz ①, ②, ⑤ ±3.5 kHz ④, ⑤ |
| MODULATION BALANCE (LOW FRQ) | 1 <ul style="list-style-type: none"> • LCD display : A08 LW LMODC • Operating freq. : 400.2750 MHz ①, ④ 430.2750 MHz ② 450.2750 MHz ③, ⑤ • IF bandwidth : Wide • Connect the audio generator to the [MIC] jack through the JIG cable and set as: 1.0 kHz/40 mVrms • Set an FM deviation meter as: HPF : OFF LPF : 20 kHz De-emphasis: OFF Detector : (P-P)/2 • Transmitting | Rear panel | Connect the FM deviation meter to the [TX] antenna connector through the attenuator. | ±4.5 kHz ①, ②, ⑤ ±3.5 kHz ④, ⑤ |
| (HIGH FRQ) | 2 <ul style="list-style-type: none"> • LCD display : A09 LW HMODC • Operating freq. : 415.7250 MHz ①, ④ 449.7250 MHz ② 465.7250 MHz ③, ⑤ • Transmitting | | | ±4.5 kHz ①, ②, ③ ±3.5 kHz ④, ⑤ |

①: [USA1], [GEN1], [GEN5], [EUR1]

④: [FRG1]

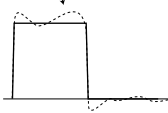
②: [GEN2], [GEN6]

⑤: [FRG3]

③: [USA3], [GEN3], [GEN7], [EUR3]

SOFTWARE ADJUSTMENT – continued

Select an item using [CH-UP] / [CH-DN] buttons, then set specified value using [RPT/BASE] / [MONI] buttons on the FRONT PANEL.

| ADJUSTMENT | ADJUSTMENT CONDITION | MEASUREMENT | | VALUE |
|---------------------------------|--|---------------|---|---|
| | | UNIT | LOCATION | |
| CTCSS DEVIATION [WIDE] | 1 • LCD display : A10 LW CTCDEV • Operating freq. : 415.2750 MHz ①, ④ 440.2750 MHz ② 465.2750 MHz ③, ⑤ • Set the FM deviation meter as: HPF : OFF LPF : 20 kHz De-emphasis: OFF Detector : (P-P)/2 • No audio applied to the [MIC] connector. • Transmitting | Rear panel | Connect the FM deviation meter to the [TX] antenna connector through the attenuator. | ±0.7 kHz ①, ②, ③ ±0.56 kHz ④, ⑤ |
| | [NARROW] | | | 2 • LCD display : A12 LN CTCDEV • Operating freq. : 415.2750 MHz ①, ④ 440.2750 MHz ② 465.2750 MHz ③, ⑤ • No audio applied to the [MIC] connector. • Transmitting |
| MODULATION BALANCE [DTCS] | 1 • LCD display : A11 LW DTCADJ • Operating freq. : 415.2750 MHz ①, ④ 440.2750 MHz ② 465.2750 MHz ③ ⑤ • No audio applied to the [MIC] connector. • Transmitting. | Rear panel | Connect the FM deviation meter with the oscilloscope to the [TX] antenna connector through an attenuator. | Set to flat wave form  |

*The output level of the standard signal generator (SSG) is indicated as the SSG's open circuit.

①: [USA1], [GEN1], [GEN5], [EUR1]

④: [FRG1]

②: [GEN2], [GEN6]

⑤: [FRG3]

③: [USA3], [GEN3], [GEN7], [EUR3]

SOFTWARE ADJUSTMENT – continued

Select an item using [CH-UP] / [CH-DN] buttons, then set specified value using [RPT/BASE] / [MONI] buttons on the FRONT PANEL.

| ADJUSTMENT | ADJUSTMENT CONDITION | MEASUREMENT | | VALUE |
|---------------------------------|--|-------------|--|-----------------------------------|
| | | UNIT | LOCATION | |
| REPEATER DEVIATION [WIDE] | 1 <ul style="list-style-type: none"> • LCD display : A13 LW RPTAF • Operating freq : 410.2750 MHz (RX) <ul style="list-style-type: none"> ①, ④ 415.2750 MHz (TX) <ul style="list-style-type: none"> ①, ④ 440.0750 MHz (RX) ② 440.2750 MHz (TX) ② 460.2750 MHz (RX) <ul style="list-style-type: none"> ③, ⑤ 465.2750 MHz (TX) <ul style="list-style-type: none"> ③, ⑤ • Connect the standard signal generator to the [RX] antenna connector and set as: <ul style="list-style-type: none"> Level : 1 mV* (–47 dBm) Modulation : 1 kHz Deviation : ±3 kHz ①, ② ±2.4 kHz ③ • Transmitting | Rear panel | Connect the FM deviation meter to the [TX] antenna connector through the attenuator. | ±3.0 kHz ①, ②, ③ ±2.4 kHz ④, ⑤ |
| [NARROW] | 2 <ul style="list-style-type: none"> • LCD display : A14 LN RPTAF • Operating freq : 410.2750 MHz (RX) <ul style="list-style-type: none"> ①, ④ 415.2750 MHz (TX) <ul style="list-style-type: none"> ①, ④ 440.0750 MHz (RX) ② 440.2750 MHz (TX) ② 460.2750 MHz (RX) <ul style="list-style-type: none"> ③, ⑤ 465.2750 MHz (TX) <ul style="list-style-type: none"> ③, ⑤ • Connect the standard signal generator to the [RX] antenna connector and set as: <ul style="list-style-type: none"> Level : 1 mV* (–47 dBm) Modulation : 1 kHz Deviation : ±1.5 kHz • Transmitting | | | ±1.5 kHz |

*The output level of the standard signal generator (SSG) is indicated as the SSG's open circuit.

①: [USA1], [GEN1], [GEN5], [EUR1]

②: [GEN2], [GEN6]

③: [USA3], [GEN3], [GEN7], [EUR3]

④: [FRG1]

⑤: [FRG3]

SECTION 5 PARTS LIST

[REG UNIT]

| REF NO. | ORDER NO. | DESCRIPTION | | M. |
|---------|------------|----------------|-------------------------|----|
| IC1 | 1180001320 | IC | NJM7809FA | T |
| IC2 | 1180002290 | S.IC | NJTM7809DL1A-TE | B |
| IC3 | 1180001860 | S.IC | TA78M05F (TE16L) | B |
| IC4 | 1180002480 | S.REG | TA78DL12AF (TE16L) | T |
| IC6 | 1180001540 | S.IC | TA78L08F (TE12R) | B |
| IC7 | 1110002860 | S.IC | TA75S393F (TE85R) | T |
| IC9 | 1110002400 | S.IC | NJM2107F-TE1 | T |
| IC11 | 1110002750 | S.IC | TA75S01F (TE85R) | T |
| Q1 | 1590003110 | FET | 2SJ533 | T |
| Q4 | 1590003110 | FET | 2SJ533 | T |
| Q5 | 1540000550 | S.TRANSISTOR | 2SD1664 T100Q | T |
| Q7 | 1590001940 | S.TRANSISTOR | DTC144EE TL | B |
| Q8 | 1590003030 | S.FET | 2SJ553STR | B |
| Q9 | 1590001940 | S.TRANSISTOR | DTC144EE TL | B |
| D2 | 1750000550 | S.DIODE | 1SS355 TE-17 | B |
| D3 | 1790000700 | DIODE | DSA3A1 | T |
| D4 | 1710001170 | DIODE | FCH30A03L | T |
| D6 | 1790000720 | DIODE | MA29W-B | T |
| D7 | 1710001170 | DIODE | FCH30A03L | T |
| D8 | 1730002340 | S.ZENER | MA8047-M (TX) | B |
| R3 | 7030003640 | S.RESISTOR | ERJ3GEYJ 473 V (47 kΩ) | B |
| R14 | 7100000830 | RESISTOR | 5SG 3.3 Ω | T |
| R16 | 7030003240 | S.RESISTOR | ERJ3GEYJ 220 V (22 Ω) | B |
| R17 | 7030003240 | S.RESISTOR | ERJ3GEYJ 220 V (22 Ω) | T |
| R18 | 7030003560 | S.RESISTOR | ERJ3GEYJ 103 V (10 kΩ) | T |
| R19 | 7030003560 | S.RESISTOR | ERJ3GEYJ 103 V (10 kΩ) | T |
| R23 | 7030003570 | S.RESISTOR | ERJ3GEYJ 123 V (12 kΩ) | T |
| R24 | 7030003510 | S.RESISTOR | ERJ3GEYJ 392 V (3.9 kΩ) | B |
| R27 | 7030003420 | S.RESISTOR | ERJ3GEYJ 681 V (680 Ω) | B |
| R30 | 7030003450 | S.RESISTOR | ERJ3GEYJ 122 V (1.2 kΩ) | T |
| R31 | 7030003200 | S.RESISTOR | ERJ3GEYJ 100 V (10 Ω) | T |
| R32 | 7030003560 | S.RESISTOR | ERJ3GEYJ 103 V (10 kΩ) | T |
| R33 | 7030003510 | S.RESISTOR | ERJ3GEYJ 392 V (3.9 kΩ) | T |
| R34 | 7030003560 | S.RESISTOR | ERJ3GEYJ 103 V (10 kΩ) | T |
| R35 | 7030003600 | S.RESISTOR | ERJ3GEYJ 223 V (22 kΩ) | T |
| R36 | 7030003680 | S.RESISTOR | ERJ3GEYJ 104 V (100 kΩ) | T |
| R37 | 7030003200 | S.RESISTOR | ERJ3GEYJ 100 V (10 Ω) | T |
| R38 | 7030003560 | S.RESISTOR | ERJ3GEYJ 103 V (10 kΩ) | T |
| R39 | 7030003560 | S.RESISTOR | ERJ3GEYJ 103 V (10 kΩ) | T |
| R40 | 7030003560 | S.RESISTOR | ERJ3GEYJ 103 V (10 kΩ) | T |
| R41 | 7030003620 | S.RESISTOR | ERJ3GEYJ 333 V (33 kΩ) | T |
| R42 | 7030003200 | S.RESISTOR | ERJ3GEYJ 100 V (10 Ω) | T |
| R58 | 7030003560 | S.RESISTOR | ERJ3GEYJ 103 V (10 kΩ) | B |
| R59 | 7030003600 | S.RESISTOR | ERJ3GEYJ 223 V (22 kΩ) | B |
| R60 | 7030003440 | S.RESISTOR | ERJ3GEYJ 102 V (1 kΩ) | T |
| R61 | 7030003640 | S.RESISTOR | ERJ3GEYJ 473 V (47 kΩ) | T |
| R62 | 7030010510 | S.RESISTOR | ERJ1TYJ 8R2U (8.2 Ω) | B |
| R64 | 7030003240 | S.RESISTOR | ERJ3GEYJ 220 V (22 Ω) | B |
| R65 | 7030003520 | S.RESISTOR | ERJ3GEYJ 472 V (4.7 kΩ) | B |
| R66 | 7030003600 | S.RESISTOR | ERJ3GEYJ 223 V (22 kΩ) | T |
| R67 | 7030003320 | S.RESISTOR | ERJ3GEYJ 101 V (100 Ω) | T |
| R68 | 7030003320 | S.RESISTOR | ERJ3GEYJ 101 V (100 Ω) | T |
| C4 | 4030006860 | S.CERAMIC | C1608 JB 1H 102K-T | T |
| C5 | 4030006860 | S.CERAMIC | C1608 JB 1H 102K-T | T |
| C6 | 4510007690 | ELECTROLYTIC | LXZ25VB2200 | T |
| C7 | 4510007690 | ELECTROLYTIC | LXZ25VB2200 | T |
| C9 | 4510007690 | ELECTROLYTIC | LXZ25VB2200 | T |
| C11 | 4030006860 | S.CERAMIC | C1608 JB 1H 102K-T | B |
| C15 | 4030006860 | S.CERAMIC | C1608 JB 1H 102K-T | B |
| C17 | 4030006860 | S.CERAMIC | C1608 JB 1H 102K-T | B |
| C19 | 4030006860 | S.CERAMIC | C1608 JB 1H 102K-T | B |
| C20 | 4030006860 | S.CERAMIC | C1608 JB 1H 102K-T | B |
| C22 | 4030006860 | S.CERAMIC | C1608 JB 1H 102K-T | B |
| C23 | 4030006860 | S.CERAMIC | C1608 JB 1H 102K-T | T |
| C24 | 4550006770 | S.TANTALUM | TEESVD2 1C 476M-12R | T |
| C25 | 4030006860 | S.CERAMIC | C1608 JB 1H 102K-T | T |
| C26 | 4510007660 | ELECTROLYTIC | LXZ25VB100 | T |
| C27 | 4030006860 | S.CERAMIC | C1608 JB 1H 102K-T | T |
| C28 | 4510007650 | S.ELECTROLYTIC | EEVHB1C470P | T |
| C29 | 4030006860 | S.CERAMIC | C1608 JB 1H 102K-T | B |
| C31 | 4030006860 | S.CERAMIC | C1608 JB 1H 102K-T | T |
| C33 | 4030006900 | S.CERAMIC | C1608 JB 1H 103K-T | B |
| C34 | 4510007570 | S.ELECTROLYTIC | EEVHB1C220UR | T |

[REG UNIT]

| REF NO. | ORDER NO. | DESCRIPTION | | M. |
|---------|------------|----------------|--------------------|----|
| C35 | 4030006900 | S.CERAMIC | C1608 JB 1H 103K-T | B |
| C36 | 4030006860 | S.CERAMIC | C1608 JB 1H 102K-T | T |
| C37 | 4510007660 | ELECTROLYTIC | LXZ25VB100 | T |
| C38 | 4510007660 | ELECTROLYTIC | LXZ25VB100 | T |
| C41 | 4510007570 | S.ELECTROLYTIC | EEVHB1C220UR | T |
| C42 | 4030006900 | S.CERAMIC | C1608 JB 1H 103K-T | T |
| C43 | 4030006900 | S.CERAMIC | C1608 JB 1H 103K-T | T |
| C45 | 4030006900 | S.CERAMIC | C1608 JB 1H 103K-T | T |
| C47 | 4510007660 | ELECTROLYTIC | LXZ25VB100 | T |
| C48 | 4030006860 | S.CERAMIC | C1608 JB 1H 102K-T | B |
| C49 | 4510007570 | S.ELECTROLYTIC | EEVHB1C220UR | T |
| C50 | 4030006900 | S.CERAMIC | C1608 JB 1H 103K-T | T |
| C51 | 4030006900 | S.CERAMIC | C1608 JB 1H 103K-T | T |
| C52 | 4030017490 | S.CERAMIC | C1608 JB 1A 105K-T | T |
| RL2 | 6330001680 | RELAY | ACB32101 | T |
| J13 | 6510018970 | S.CONNECTOR | B4B-PH-SM3-TB | T |
| J14 | 6510022620 | S.CONNECTOR | 10FMN-BMTTR-A-TBT | T |
| J16 | 6510018960 | S.CONNECTOR | B2B-PH-SM3-TB | T |
| J17 | 6510018960 | S.CONNECTOR | B2B-PH-SM3-TB | T |
| J18 | 6510018960 | S.CONNECTOR | B2B-PH-SM3-TB | T |
| F1 | 5220000300 | HOLDER | 1A5600 | T |
| F2 | 5220000300 | HOLDER | 1A5600 | T |
| F3 | 5210000850 | FUSE | ATC-20 | T |
| F4 | 5220000300 | HOLDER | 1A5600 | T |
| F5 | 5220000300 | HOLDER | 1A5600 | T |
| F6 | 5210000850 | FUSE | ATC-20 | T |
| S1 | 2260001510 | SWITCH | RXE160 | T |
| W1 | 7120000490 | JUMPER | ERD25T0 | T |
| W2 | 7120000490 | JUMPER | ERD25T0 | T |
| W3 | 7120000490 | JUMPER | ERD25T0 | T |
| W4 | 7120000490 | JUMPER | ERD25T0 | T |
| EP1 | 0910056076 | PCB | B 5651F [FR4000] | T |
| | 0910057012 | PCB | B 5998B [FR4100] | T |
| EP2 | 6910012350 | S.BEAD | MMZ1608Y 102BT | T |
| EP3 | 6910011340 | TERMINAL | OT-010 M3 | T |
| EP4 | 6910011340 | TERMINAL | OT-010 M3 | T |
| EP5 | 6910011340 | TERMINAL | OT-010 M3 | T |
| EP6 | 6910011340 | TERMINAL | OT-010 M3 | T |
| EP7 | 6910011340 | TERMINAL | OT-010 M3 | T |
| EP8 | 6910011340 | TERMINAL | OT-010 M3 | T |
| EP9 | 6910011340 | TERMINAL | OT-010 M3 | T |
| EP10 | 6910011340 | TERMINAL | OT-010 M3 | T |

[L]: LOW BAND, [M]: MIDDLE BAND, [H]: HIGH BAND

M.=Mounted side (T: Mounted on the Top side, B: Mounted on the Bottom side)
S.=Surface mount

[FRONT UNIT]

| REF NO. | ORDER NO. | DESCRIPTION | | M. |
|---------|------------|--------------|---|--------|
| Q1 | 1530002060 | S.TRANSISTOR | 2SC4081 T106 R | T |
| D1 | 1750000930 | S.DIODE | NNCD8.2C-T1 | T |
| D2 | 1750000930 | S.DIODE | NNCD8.2C-T1 | T |
| D3 | 1750000930 | S.DIODE | NNCD8.2C-T1 | T |
| L1 | 6200001620 | S.COIL | ELJFC 1R0K-F | T |
| R1 | 7030003400 | S.RESISTOR | ERJ3GEYJ 471 V (470 Ω) | T |
| R2 | 7030003200 | S.RESISTOR | ERJ3GEYJ 100 V (10 Ω) | T |
| R3 | 7030003200 | S.RESISTOR | ERJ3GEYJ 100 V (10 Ω) | T |
| R8 | 7030001150 | S.RESISTOR | MCR50JZHJ 150 Ω (151) | B |
| R9 | 7030001150 | S.RESISTOR | MCR50JZHJ 150 Ω (151) | B |
| R10 | 7030001160 | S.RESISTOR | MCR50JZHJ 180 Ω (181) | B |
| R11 | 7030001150 | S.RESISTOR | MCR50JZHJ 150 Ω (151) | B |
| R12 | 7030001150 | S.RESISTOR | MCR50JZHJ 150 Ω (151) | B |
| R13 | 7030001150 | S.RESISTOR | MCR50JZHJ 150 Ω (151) | B |
| R15 | 7030003460 | S.RESISTOR | ERJ3GEYJ 152 V (1.5 kΩ) | B |
| R17 | 7030008220 | S.RESISTOR | MCR100JZHJ 47 Ω (470) | B |
| R18 | 7030008220 | S.RESISTOR | MCR100JZHJ 47 Ω (470) | B |
| R19 | 7540000240 | S.ABSORBER | KU10R29N-4063 | T |
| R21 | 7030003640 | S.RESISTOR | ERJ3GEYJ 473 V (47 kΩ) | B |
| R22 | 7030003640 | S.RESISTOR | ERJ3GEYJ 473 V (47 kΩ) | B |
| R23 | 7030003640 | S.RESISTOR | ERJ3GEYJ 473 V (47 kΩ) | B |
| R24 | 7030003640 | S.RESISTOR | ERJ3GEYJ 473 V (47 kΩ) | B |
| R26 | 7030003640 | S.RESISTOR | ERJ3GEYJ 473 V (47 kΩ) | T |
| R27 | 7030010910 | S.RESISTOR | ERJ1TYJ 150U (15 Ω) | B |
| R28 | 7030010910 | S.RESISTOR | ERJ1TYJ 150U (15 Ω) | B |
| C1 | 4030006860 | S.CERAMIC | C1608 JB 1H 102K-T | B |
| C2 | 4030006860 | S.CERAMIC | C1608 JB 1H 102K-T | T |
| C3 | 4030006860 | S.CERAMIC | C1608 JB 1H 102K-T | T |
| C4 | 4030006860 | S.CERAMIC | C1608 JB 1H 102K-T | T |
| C5 | 4030006860 | S.CERAMIC | C1608 JB 1H 102K-T | T |
| C12 | 4030006860 | S.CERAMIC | C1608 JB 1H 102K-T | B |
| C13 | 4030006860 | S.CERAMIC | C1608 JB 1H 102K-T | B |
| C14 | 4030006860 | S.CERAMIC | C1608 JB 1H 102K-T | B |
| C15 | 4030006860 | S.CERAMIC | C1608 JB 1H 102K-T | B |
| C16 | 4030006860 | S.CERAMIC | C1608 JB 1H 102K-T | B |
| C17 | 4030017200 | S.CERAMIC | GRM31BR32J102KY01L | T |
| C18 | 4030017200 | S.CERAMIC | GRM31BR32J102KY01L | T |
| C19 | 4030006860 | S.CERAMIC | C1608 JB 1H 102K-T | B |
| C20 | 4030006860 | S.CERAMIC | C1608 JB 1H 102K-T [FR4100]only [FR4100] only | B B |
| J1 | 6510022620 | S.CONNECTOR | 10FMN-BMTTR-A-TBT | B |
| J2 | 6510022580 | S.CONNECTOR | 24FMN-BMTTR-A-TBT | B |
| J3 | 6510021600 | S.CONNECTOR | S2B-PH-SM3-TB | B |
| J4 | 6510022910 | CONNECTOR | IMSA9201B-1-16Z012Z | B |
| J6 | 6510022790 | CONNECTOR | 95003-2641 | T |
| J7 | 6450001470 | CONNECTOR | 95003-2881 | T |
| J8 | 6510023250 | S.CONNECTOR | S3B-PH-SM3-TB | B |
| J9 | 6510021600 | S.CONNECTOR | S2B-PH-SM3-TB | B |
| F1 | 5210000890 | FUSE | SBR-1A [USA1], [USA3] only | B |
| DS1 | 5040001820 | LED | BG3889S | T |
| DS2 | 5040001820 | LED | BG3889S | T |
| DS3 | 5040001330 | LED | BR3889S | T |
| DS4 | 5040001820 | LED | BR3889S | T |
| DS5 | 5040001820 | LED | BG3889S | T |
| DS6 | 5040001820 | LED | BG3889S | T |
| DS7 | 5030002190 | LCD | MSC-C161UYLY-4W | T |
| S1 | 2260001680 | S.SWITCH | SKQDPB | T |
| S2 | 2260001680 | S.SWITCH | SKQDPB | T |
| S3 | 2260001680 | S.SWITCH | SKQDPB | T |
| S4 | 2260001680 | S.SWITCH | SKQDPB | T |
| S5 | 2260001680 | S.SWITCH | SKQDPB | T |
| S6 | 2260001680 | S.SWITCH | SKQDPB | T |
| S7 | 2260001680 | S.SWITCH | SKQDPB | T |
| S8 | 2260001680 | S.SWITCH | SKQDPB | T |
| W1 | 7030003860 | S.RESISTOR | ERJ3GE JPW V except [USA1], [USA3] | T |
| EP1 | 0910056088 | PCB | B 5652H | |

[L]: LOW BAND, [M]: MIDDLE BAND, [H]: HIGH BAND

[FRONT UNIT]

| REF NO. | ORDER NO. | DESCRIPTION | | M. |
|---------|------------|-------------|-------|----|
| EP2 | 6910014560 | SPACER | LM-15 | T |
| EP3 | 6910014550 | SPACER | LM-13 | T |
| EP4 | 6910014540 | SPACER | LM-10 | T |
| EP5 | 6910014540 | SPACER | LM-10 | T |
| EP6 | 6910014540 | SPACER | LM-10 | T |
| EP7 | 6910014540 | SPACER | LM-10 | T |

[LOGIC UNIT]

| REF NO. | ORDER NO. | DESCRIPTION | | M. |
|---------|------------|--------------|--------------------|----|
| IC1 | 1110003780 | S.IC | NJM2902V-TE1 | T |
| IC2 | 1110003780 | S.IC | NJM2902V-TE1 | T |
| IC3 | 1110003780 | S.IC | NJM2902V-TE1 | B |
| IC4 | 1110003780 | S.IC | NJM2902V-TE1 | T |
| IC6 | 1110002400 | S.IC | NJM2107F-TE1 | T |
| IC7 | 1110003780 | S.IC | NJM2902V-TE1 | B |
| IC8 | 1110003780 | S.IC | NJM2902V-TE1 | B |
| IC9 | 1110003780 | S.IC | NJM2902V-TE1 | B |
| IC10 | 1110003780 | S.IC | NJM2902V-TE1 | T |
| IC11 | 1180000420 | S.IC | TA78L05F (TE12R) | B |
| IC12 | 1110003780 | S.IC | NJM2902V-TE1 | T |
| IC13 | 1130008090 | S.IC | BU4066BCFV-E1 | T |
| IC14 | 1130004200 | S.IC | TC4S66F (TE85R) | T |
| IC16 | 1130006220 | S.IC | TC4W53FU (TE12L) | B |
| IC17 | 1110003090 | IC | LA4425A | T |
| IC20 | 1130006220 | S.IC | TC4W53FU (TE12L) | T |
| IC21 | 1130006220 | S.IC | TC4W53FU (TE12L) | T |
| IC25 | 1190001350 | S.IC | M62364FP 600D | T |
| IC26 | 1110003800 | S.IC | NJM2904V-TE1 | B |
| IC28 | 1110002400 | S.IC | NJM2107F-TE1 | B |
| IC29 | 1190001720 | S.IC | FX805LG | T |
| IC30 | 1130006220 | S.IC | TC4W53FU (TE12L) | T |
| IC31 | 1130007400 | S.IC | LC7387M-TRM | T |
| IC32 | 1130006220 | S.IC | TC4W53FU (TE12L) | T |
| IC33 | 1140010140 | S.IC | HD64F2238BFA13 | T |
| IC34 | 1110005710 | S.IC | S-80842CLUA-B63-T2 | B |
| IC35 | 1130009320 | S.IC | BU4011BFV-E2 | B |
| IC36 | 1130009320 | S.IC | BU4011BFV-E2 | B |
| IC37 | 1140008650 | S.IC | HN58X2464TI | T |
| IC38 | 1180002250 | S.IC | S-812C50AMC-C3E-T2 | T |
| IC39 | 1130007570 | S.IC | BU4094BCFV-E2 | T |
| IC40 | 1130007570 | S.IC | BU4094BCFV-E2 | T |
| IC41 | 1130007570 | S.IC | BU4094BCFV-E2 | T |
| IC42 | 1170000280 | S.IC | TLP121 (GB-TPL) | B |
| IC43 | 1170000280 | S.IC | TLP121 (GB-TPL) | B |
| IC44 | 1120002830 | S.IC | NJM2125F-TE1 | T |
| IC45 | 1110005000 | S.IC | LMC567CM | B |
| IC46 | 1190001740 | S.IC | BA6566F-E2 | B |
| IC47 | 1190001730 | S.IC | LC73701M-TLM | T |
| IC48 | 1170000280 | S.IC | TLP121 (GB-TPL) | T |
| IC49 | 1170000280 | S.IC | TLP121 (GB-TPL) | T |
| IC50 | 1130006220 | S.IC | TC4W53FU (TE12L) | T |
| IC51 | 1110002400 | S.IC | NJM2107F-TE1 | T |
| IC52 | 1110005690 | S.IC | NJM2520V-TE1 | T |
| IC53 | 1130006220 | S.IC | TC4W53FU (TE12L) | T |
| Q1 | 1590001400 | S.TRANSISTOR | XP1214 (TX) | B |
| Q2 | 1530002060 | S.TRANSISTOR | 2SC4081 T106 R | B |
| Q3 | 1590001940 | S.TRANSISTOR | DTC144EE TL | B |
| Q4 | 1530002060 | S.TRANSISTOR | 2SC4081 T106 R | T |
| Q5 | 1510000510 | S.TRANSISTOR | 2SA1576A T106R | T |
| Q6 | 1530002060 | S.TRANSISTOR | 2SC4081 T106 R | T |
| Q7 | 1590001400 | S.TRANSISTOR | XP1214 (TX) | B |
| Q8 | 1590003210 | S.TRANSISTOR | XP1111 (TX) | B |
| Q9 | 1590003210 | S.TRANSISTOR | XP1111 (TX) | B |
| Q10 | 1590003210 | S.TRANSISTOR | XP1111 (TX) | B |
| Q11 | 1590003210 | S.TRANSISTOR | XP1111 (TX) | B |
| Q17 | 1590001940 | S.TRANSISTOR | DTC144EE TL | T |
| Q18 | 1590002010 | S.TRANSISTOR | XP1114 (TX) | T |
| Q19 | 1590002010 | S.TRANSISTOR | XP1114 (TX) | T |
| Q20 | 1590002010 | S.TRANSISTOR | XP1114 (TX) | T |
| Q24 | 1550000020 | S.FET | 2SJ377 (TE16R) | T |
| Q25 | 1530002060 | S.TRANSISTOR | 2SC4081 T106 R | T |
| Q26 | 1590001960 | S.TRANSISTOR | XP4311 (TX) | T |
| Q27 | 1590001960 | S.TRANSISTOR | XP4311 (TX) | T |
| Q28 | 1590001960 | S.TRANSISTOR | XP4311 (TX) | T |
| Q29 | 1590001960 | S.TRANSISTOR | XP4311 (TX) | T |
| Q37 | 1590001940 | S.TRANSISTOR | DTC144EE TL | B |
| Q38 | 1590001400 | S.TRANSISTOR | XP1214 (TX) | B |
| Q40 | 1590001940 | S.TRANSISTOR | DTC144EE TL | B |

M.=Mounted side (T: Mounted on the Top side, B: Mounted on the Bottom side)
S.=Surface mount

[LOGIC UNIT]

| REF NO. | ORDER NO. | DESCRIPTION | M. |
|---------|------------|---|----|
| Q44 | 1590002430 | S.TRANSISTOR DTA144EE TL | B |
| Q45 | 1510000590 | S.TRANSISTOR 2SA1362-Y (TE85L) | B |
| Q48 | 1160000150 | S.TRANSISTOR IMZ4 T108 | B |
| Q49 | 1590001960 | S.TRANSISTOR XP4311 (TX) | T |
| Q50 | 1590001960 | S.TRANSISTOR XP4311 (TX) | T |
| Q51 | 1540000570 | S.TRANSISTOR 2SD1760 TLQ [FR4100] only | B |
| Q52 | 1530001950 | S.TRANSISTOR 2SC2712-GR (TE85R) [FR4100]only | B |
| D1 | 1730002650 | S.ZENER PTZ TE25 36B | B |
| D4 | 1710001180 | S.BRIDGE D1UBA80-4062 | B |
| D5 | 1710001180 | S.BRIDGE D1UBA80-4062 | B |
| D6 | 1790001250 | S.DIODE MA2S111-(TX) | B |
| D7 | 1790001250 | S.DIODE MA2S111-(TX) | T |
| D8 | 1790001250 | S.DIODE MA2S111-(TX) | B |
| D9 | 1790001250 | S.DIODE MA2S111-(TX) | B |
| D10 | 1790001250 | S.DIODE MA2S111-(TX) | B |
| D11 | 1790001250 | S.DIODE MA2S111-(TX) | B |
| D12 | 1790001250 | S.DIODE MA2S111-(TX) | B |
| D13 | 1790000670 | S.DIODE SB07-03C-TB | B |
| D14 | 1790001260 | S.DIODE MA2S077-(TX) | B |
| D15 | 1790001250 | S.DIODE MA2S111-(TX) | B |
| D16 | 1790001250 | S.DIODE MA2S111-(TX) | B |
| D17 | 1790001250 | S.DIODE MA2S111-(TX) | B |
| D18 | 1790001250 | S.DIODE MA2S111-(TX) | B |
| D19 | 1790001250 | S.DIODE MA2S111-(TX) | T |
| D20 | 1790001250 | S.DIODE MA2S111-(TX) | T |
| D21 | 1790001250 | S.DIODE MA2S111-(TX) | T |
| D22 | 1790001250 | S.DIODE MA2S111-(TX) | T |
| D23 | 1790001250 | S.DIODE MA2S111-(TX) | B |
| D24 | 1790001250 | S.DIODE MA2S111-(TX) | B |
| D25 | 1790001250 | S.DIODE MA2S111-(TX) | B |
| D26 | 1790001250 | S.DIODE MA2S111-(TX) | B |
| D27 | 1790001250 | S.DIODE MA2S111-(TX) | B |
| D28 | 1750000550 | S.DIODE 1SS355 TE-17 | B |
| D29 | 1750000550 | S.DIODE 1SS355 TE-17 | B |
| D33 | 1790001250 | S.DIODE MA2S111-(TX) | B |
| D38 | 1730002640 | S.ZENER PTZ TE25 13B | B |
| D43 | 1790001250 | S.DIODE MA2S111-(TX) | B |
| D44 | 1790001250 | S.DIODE MA2S111-(TX) | B |
| D45 | 1790001250 | S.DIODE MA2S111-(TX) | B |
| D46 | 1790001250 | S.DIODE MA2S111-(TX) | B |
| X1 | 6050011490 | S.XTAL CR-733 (4.194304 MHz) | T |
| X2 | 6050011000 | S.XTAL CR-681 (12.288 MHz) | T |
| X3 | 6050009300 | S.XTAL CR-505 (4 MHz) | T |
| L1 | 6200009790 | S.COIL BLM31PG121SN1 | T |
| L2 | 6200009790 | S.COIL BLM31PG121SN1 | T |
| L3 | 6200009790 | S.COIL BLM31PG121SN1 | T |
| L4 | 6200009790 | S.COIL BLM31PG121SN1 | T |
| L5 | 6200009790 | S.COIL BLM31PG121SN1 | T |
| L6 | 6200009790 | S.COIL BLM31PG121SN1 | T |
| L7 | 6200009790 | S.COIL BLM31PG121SN1 | T |
| L8 | 6200009790 | S.COIL BLM31PG121SN1 | T |
| L9 | 6200009790 | S.COIL BLM31PG121SN1 | T |
| L10 | 6200009790 | S.COIL BLM31PG121SN1 | B |
| L11 | 6200009790 | S.COIL BLM31PG121SN1 | B |
| R2 | 7030003680 | S.RESISTOR ERJ3GEYJ 104 V (100 kΩ) | T |
| R3 | 7030003750 | S.RESISTOR ERJ3GEYJ 394 V (390 kΩ) | T |
| R5 | 7030003580 | S.RESISTOR ERJ3GEYJ 153 V (15 kΩ) | T |
| R6 | 7030003710 | S.RESISTOR ERJ3GEYJ 184 V (180 kΩ) | T |
| R7 | 7310004790 | S.TRIMMER EVM-3YSX50 B14 (103) | B |
| R8 | 7030003640 | S.RESISTOR ERJ3GEYJ 473 V (47 kΩ) | T |
| R9 | 7030003640 | S.RESISTOR ERJ3GEYJ 473 V (47 kΩ) | T |
| R10 | 7030003520 | S.RESISTOR ERJ3GEYJ 472 V (4.7 kΩ) | T |
| R12 | 7030003640 | S.RESISTOR ERJ3GEYJ 473 V (47 kΩ) | T |
| R13 | 7030003640 | S.RESISTOR ERJ3GEYJ 473 V (47 kΩ) | T |
| R14 | 7030003520 | S.RESISTOR ERJ3GEYJ 472 V (4.7 kΩ) | T |
| R15 | 7030003680 | S.RESISTOR ERJ3GEYJ 104 V (100 kΩ) | T |
| R16 | 7030003680 | S.RESISTOR ERJ3GEYJ 104 V (100 kΩ) | T |
| R17 | 7030003520 | S.RESISTOR ERJ3GEYJ 472 V (4.7 kΩ) | T |
| R18 | 7030003680 | S.RESISTOR ERJ3GEYJ 104 V (100 kΩ) | T |
| R19 | 7030003680 | S.RESISTOR ERJ3GEYJ 104 V (100 kΩ) | T |
| R22 | 7030003560 | S.RESISTOR ERJ3GEYJ 103 V (10 kΩ) | B |
| R23 | 7030003740 | S.RESISTOR ERJ3GEYJ 334 V (330 kΩ) | B |
| R24 | 7030003520 | S.RESISTOR ERJ3GEYJ 472 V (4.7 kΩ) | B |
| R25 | 7030003520 | S.RESISTOR ERJ3GEYJ 472 V (4.7 kΩ) | B |
| R26 | 7030003580 | S.RESISTOR ERJ3GEYJ 153 V (15 kΩ) | T |
| R27 | 7030003530 | S.RESISTOR ERJ3GEYJ 562 V (5.6 kΩ) | T |
| R28 | 7030003420 | S.RESISTOR ERJ3GEYJ 681 V (680 Ω) | T |
| R29 | 7030003510 | S.RESISTOR ERJ3GEYJ 392 V (3.9 kΩ) | T |
| R30 | 7030003480 | S.RESISTOR ERJ3GEYJ 222 V (2.2 kΩ) | T |

[LOGIC UNIT]

| REF NO. | ORDER NO. | DESCRIPTION | M. |
|---------|------------|------------------------------------|----|
| R31 | 7030003370 | S.RESISTOR ERJ3GEYJ 271 V (270 Ω) | T |
| R32 | 7030003600 | S.RESISTOR ERJ3GEYJ 223 V (22 kΩ) | T |
| R33 | 7030003680 | S.RESISTOR ERJ3GEYJ 104 V (100 kΩ) | T |
| R34 | 7030003680 | S.RESISTOR ERJ3GEYJ 104 V (100 kΩ) | T |
| R35 | 7030003680 | S.RESISTOR ERJ3GEYJ 104 V (100 kΩ) | T |
| R36 | 7030003680 | S.RESISTOR ERJ3GEYJ 104 V (100 kΩ) | T |
| R37 | 7030003680 | S.RESISTOR ERJ3GEYJ 104 V (100 kΩ) | T |
| R40 | 7030003520 | S.RESISTOR ERJ3GEYJ 472 V (4.7 kΩ) | T |
| R48 | 7030003640 | S.RESISTOR ERJ3GEYJ 473 V (47 kΩ) | B |
| R50 | 7030003640 | S.RESISTOR ERJ3GEYJ 473 V (47 kΩ) | B |
| R51 | 7310004790 | S.TRIMMER EVM-3YSX50 B14 (103) | T |
| R52 | 7030003670 | S.RESISTOR ERJ3GEYJ 823 V (82 kΩ) | T |
| R53 | 7030003600 | S.RESISTOR ERJ3GEYJ 223 V (22 kΩ) | T |
| R54 | 7030003520 | S.RESISTOR ERJ3GEYJ 472 V (4.7 kΩ) | T |
| R55 | 7030003680 | S.RESISTOR ERJ3GEYJ 104 V (100 kΩ) | T |
| R56 | 7030003800 | S.RESISTOR ERJ3GEYJ 105 V (1 MΩ) | T |
| R57 | 7030003800 | S.RESISTOR ERJ3GEYJ 105 V (1 MΩ) | T |
| R58 | 7030003800 | S.RESISTOR ERJ3GEYJ 105 V (1 MΩ) | T |
| R59 | 7030003800 | S.RESISTOR ERJ3GEYJ 105 V (1 MΩ) | T |
| R60 | 7030003800 | S.RESISTOR ERJ3GEYJ 105 V (1 MΩ) | T |
| R61 | 7030003800 | S.RESISTOR ERJ3GEYJ 105 V (1 MΩ) | T |
| R62 | 7030003800 | S.RESISTOR ERJ3GEYJ 105 V (1 MΩ) | T |
| R63 | 7030003800 | S.RESISTOR ERJ3GEYJ 105 V (1 MΩ) | T |
| R64 | 7030003520 | S.RESISTOR ERJ3GEYJ 472 V (4.7 kΩ) | T |
| R65 | 7030003680 | S.RESISTOR ERJ3GEYJ 104 V (100 kΩ) | B |
| R66 | 7030003550 | S.RESISTOR ERJ3GEYJ 822 V (8.2 kΩ) | B |
| R67 | 7030003530 | S.RESISTOR ERJ3GEYJ 562 V (5.6 kΩ) | B |
| R68 | 7030003400 | S.RESISTOR ERJ3GEYJ 471 V (470 Ω) | B |
| R69 | 7030003600 | S.RESISTOR ERJ3GEYJ 223 V (22 kΩ) | B |
| R70 | 7030003490 | S.RESISTOR ERJ3GEYJ 272 V (2.7 kΩ) | B |
| R71 | 7030003410 | S.RESISTOR ERJ3GEYJ 561 V (560 Ω) | B |
| R72 | 7030003620 | S.RESISTOR ERJ3GEYJ 333 V (33 kΩ) | B |
| R74 | 7030003600 | S.RESISTOR ERJ3GEYJ 223 V (22 kΩ) | B |
| R75 | 7030003720 | S.RESISTOR ERJ3GEYJ 224 V (220 kΩ) | B |
| R77 | 7030003520 | S.RESISTOR ERJ3GEYJ 472 V (4.7 kΩ) | B |
| R78 | 7030003660 | S.RESISTOR ERJ3GEYJ 683 V (68 kΩ) | B |
| R79 | 7030003660 | S.RESISTOR ERJ3GEYJ 683 V (68 kΩ) | T |
| R80 | 7030003660 | S.RESISTOR ERJ3GEYJ 683 V (68 kΩ) | T |
| R81 | 7030003520 | S.RESISTOR ERJ3GEYJ 472 V (4.7 kΩ) | T |
| R82 | 7030003660 | S.RESISTOR ERJ3GEYJ 683 V (68 kΩ) | T |
| R83 | 7030003660 | S.RESISTOR ERJ3GEYJ 683 V (68 kΩ) | T |
| R84 | 7030003560 | S.RESISTOR ERJ3GEYJ 103 V (10 kΩ) | T |
| R85 | 7030003560 | S.RESISTOR ERJ3GEYJ 103 V (10 kΩ) | T |
| R86 | 7030003520 | S.RESISTOR ERJ3GEYJ 472 V (4.7 kΩ) | T |
| R87 | 7030003520 | S.RESISTOR ERJ3GEYJ 472 V (4.7 kΩ) | T |
| R88 | 7030003680 | S.RESISTOR ERJ3GEYJ 104 V (100 kΩ) | B |
| R89 | 7030003520 | S.RESISTOR ERJ3GEYJ 472 V (4.7 kΩ) | B |
| R90 | 7030003680 | S.RESISTOR ERJ3GEYJ 104 V (100 kΩ) | T |
| R91 | 7030003680 | S.RESISTOR ERJ3GEYJ 104 V (100 kΩ) | T |
| R92 | 7030003520 | S.RESISTOR ERJ3GEYJ 472 V (4.7 kΩ) | T |
| R94 | 7030003800 | S.RESISTOR ERJ3GEYJ 105 V (1 MΩ) | T |
| R95 | 7030003800 | S.RESISTOR ERJ3GEYJ 105 V (1 MΩ) | T |
| R96 | 7030003690 | S.RESISTOR ERJ3GEYJ 124 V (120 kΩ) | B |
| R97 | 7030003760 | S.RESISTOR ERJ3GEYJ 474 V (470 kΩ) | B |
| R98 | 7030003760 | S.RESISTOR ERJ3GEYJ 474 V (470 kΩ) | B |
| R99 | 7030003760 | S.RESISTOR ERJ3GEYJ 474 V (470 kΩ) | B |
| R100 | 7030003760 | S.RESISTOR ERJ3GEYJ 474 V (470 kΩ) | B |
| R101 | 7030003760 | S.RESISTOR ERJ3GEYJ 474 V (470 kΩ) | B |
| R102 | 7030003760 | S.RESISTOR ERJ3GEYJ 474 V (470 kΩ) | B |
| R103 | 7030003680 | S.RESISTOR ERJ3GEYJ 104 V (100 kΩ) | B |
| R104 | 7030003750 | S.RESISTOR ERJ3GEYJ 394 V (390 kΩ) | B |
| R105 | 7030003520 | S.RESISTOR ERJ3GEYJ 472 V (4.7 kΩ) | B |
| R106 | 7030003680 | S.RESISTOR ERJ3GEYJ 104 V (100 kΩ) | T |
| R107 | 7030003800 | S.RESISTOR ERJ3GEYJ 105 V (1 MΩ) | T |
| R108 | 7030003710 | S.RESISTOR ERJ3GEYJ 184 V (180 kΩ) | T |
| R109 | 7030003720 | S.RESISTOR ERJ3GEYJ 224 V (220 kΩ) | T |
| R112 | 7030003440 | S.RESISTOR ERJ3GEYJ 102 V (1 kΩ) | T |
| R113 | 7030003680 | S.RESISTOR ERJ3GEYJ 104 V (100 kΩ) | T |
| R114 | 7030003630 | S.RESISTOR ERJ3GEYJ 393 V (39 kΩ) | B |
| R115 | 7030003670 | S.RESISTOR ERJ3GEYJ 823 V (82 kΩ) | B |
| R116 | 7030003640 | S.RESISTOR ERJ3GEYJ 473 V (47 kΩ) | B |
| R117 | 7030003700 | S.RESISTOR ERJ3GEYJ 154 V (150 kΩ) | B |
| R118 | 7030003680 | S.RESISTOR ERJ3GEYJ 104 V (100 kΩ) | B |
| R119 | 7030003680 | S.RESISTOR ERJ3GEYJ 104 V (100 kΩ) | B |
| R121 | 7030003700 | S.RESISTOR ERJ3GEYJ 154 V (150 kΩ) | B |
| R122 | 7030003630 | S.RESISTOR ERJ3GEYJ 393 V (39 kΩ) | B |
| R123 | 7030003640 | S.RESISTOR ERJ3GEYJ 473 V (47 kΩ) | T |
| R124 | 7030003640 | S.RESISTOR ERJ3GEYJ 473 V (47 kΩ) | T |
| R127 | 7030003530 | S.RESISTOR ERJ3GEYJ 562 V (5.6 kΩ) | T |
| R128 | 7030003680 | S.RESISTOR ERJ3GEYJ 104 V (100 kΩ) | B |
| R129 | 7030006480 | S.RESISTOR MCR100JZHJ 10 Ω (100) | B |
| R130 | 7030003620 | S.RESISTOR ERJ3GEYJ 333 V (33 kΩ) | T |
| R131 | 7030001430 | S.RESISTOR MCR50JZHJ 27 kΩ | B |
| R137 | 7030003560 | S.RESISTOR ERJ3GEYJ 103 V (10 kΩ) | T |
| R138 | 7030003560 | S.RESISTOR ERJ3GEYJ 103 V (10 kΩ) | T |
| R139 | 7030003620 | S.RESISTOR ERJ3GEYJ 333 V (33 kΩ) | T |
| R140 | 7030003560 | S.RESISTOR ERJ3GEYJ 103 V (10 kΩ) | T |
| R141 | 7030003560 | S.RESISTOR ERJ3GEYJ 103 V (10 kΩ) | T |

[L]: LOW BAND, [M]: MIDDLE BAND, [H]: HIGH BAND

M.=Mounted side (T: Mounted on the Top side, B: Mounted on the Bottom side)
S.=Surface mount

[LOGIC UNIT]

| REF NO. | ORDER NO. | DESCRIPTION | M. |
|---------|------------|------------------------------------|----|
| R143 | 7030000410 | S.RESISTOR MCR10EZHZ 1.8 kΩ | B |
| R144 | 7030000480 | S.RESISTOR MCR10EZHZ 6.8 kΩ | T |
| R145 | 7030000410 | S.RESISTOR MCR10EZHZ 1.8 kΩ | T |
| R148 | 7030003760 | S.RESISTOR ERJ3GEYJ 474 V (470 kΩ) | T |
| R149 | 7030003450 | S.RESISTOR ERJ3GEYJ 122 V (1.2 kΩ) | T |
| R150 | 7030003450 | S.RESISTOR ERJ3GEYJ 122 V (1.2 kΩ) | T |
| R151 | 7030003280 | S.RESISTOR ERJ3GEYJ 470 V (47 kΩ) | B |
| R153 | 7030003560 | S.RESISTOR ERJ3GEYJ 103 V (10 kΩ) | T |
| R154 | 7030003550 | S.RESISTOR ERJ12YJ390U | B |
| R155 | 7030003560 | S.RESISTOR ERJ3GEYJ 103 V (10 kΩ) | B |
| R158 | 7030003460 | S.RESISTOR ERJ3GEYJ 152 V (1.5 kΩ) | B |
| R159 | 7030003460 | S.RESISTOR ERJ3GEYJ 152 V (1.5 kΩ) | B |
| R160 | 7030003460 | S.RESISTOR ERJ3GEYJ 152 V (1.5 kΩ) | B |
| R162 | 7030003600 | S.RESISTOR ERJ3GEYJ 223 V (22 kΩ) | B |
| | | [FR4000] | B |
| | 7030003610 | S.RESISTOR ERJ3GEYJ 273 V (27 kΩ) | B |
| | | [FR4100] | B |
| R163 | 7030003800 | S.RESISTOR ERJ3GEYJ 105 V (1 MΩ) | B |
| R164 | 7030003620 | S.RESISTOR ERJ3GEYJ 333 V (33 kΩ) | B |
| R165 | 7030003690 | S.RESISTOR ERJ3GEYJ 124 V (120 kΩ) | T |
| R166 | 7030003740 | S.RESISTOR ERJ3GEYJ 334 V (330 kΩ) | T |
| R168 | 7030003400 | S.RESISTOR ERJ3GEYJ 471 V (470 Ω) | B |
| R169 | 7030003750 | S.RESISTOR ERJ3GEYJ 394 V (390 kΩ) | B |
| R170 | 7030003680 | S.RESISTOR ERJ3GEYJ 104 V (100 kΩ) | B |
| R171 | 7030003680 | S.RESISTOR ERJ3GEYJ 104 V (100 kΩ) | B |
| R172 | 7030003680 | S.RESISTOR ERJ3GEYJ 104 V (100 kΩ) | T |
| R175 | 7030003680 | S.RESISTOR ERJ3GEYJ 104 V (100 kΩ) | B |
| R177 | 7030003640 | S.RESISTOR ERJ3GEYJ 473 V (47 kΩ) | T |
| R179 | 7030003700 | S.RESISTOR ERJ3GEYJ 154 V (150 kΩ) | B |
| R182 | 7030003680 | S.RESISTOR ERJ3GEYJ 104 V (100 kΩ) | B |
| R183 | 7030003680 | S.RESISTOR ERJ3GEYJ 104 V (100 kΩ) | B |
| R184 | 7030003440 | S.RESISTOR ERJ3GEYJ 102 V (1 kΩ) | B |
| R185 | 7030003570 | S.RESISTOR ERJ3GEYJ 123 V (12 kΩ) | B |
| R186 | 7030003570 | S.RESISTOR ERJ3GEYJ 123 V (12 kΩ) | B |
| R187 | 7030003490 | S.RESISTOR ERJ3GEYJ 272 V (2.7 kΩ) | T |
| R188 | 7030003490 | S.RESISTOR ERJ3GEYJ 272 V (2.7 kΩ) | T |
| R189 | 7410001130 | S.ARRAY EXB28V102JX | T |
| R190 | 7030003560 | S.RESISTOR ERJ3GEYJ 103 V (10 kΩ) | B |
| R191 | 7030003560 | S.RESISTOR ERJ3GEYJ 103 V (10 kΩ) | B |
| R192 | 7030003750 | S.RESISTOR ERJ3GEYJ 394 V (390 kΩ) | B |
| R193 | 7030003760 | S.RESISTOR ERJ3GEYJ 474 V (470 kΩ) | B |
| R194 | 7030003750 | S.RESISTOR ERJ3GEYJ 394 V (390 kΩ) | B |
| R195 | 7030003640 | S.RESISTOR ERJ3GEYJ 473 V (47 kΩ) | B |
| R196 | 7410001150 | S.ARRAY EXB28V471JX | T |
| R197 | 7410001150 | S.ARRAY EXB28V471JX | T |
| R198 | 7410001130 | S.ARRAY EXB28V102JX | B |
| R199 | 7410001130 | S.ARRAY EXB28V102JX | T |
| R200 | 7410001150 | S.ARRAY EXB28V471JX | T |
| R201 | 7410001130 | S.ARRAY EXB28V102JX | T |
| R202 | 7410001150 | S.ARRAY EXB28V471JX | T |
| R203 | 7410001130 | S.ARRAY EXB28V102JX | T |
| R204 | 7030003680 | S.RESISTOR ERJ3GEYJ 104 V (100 kΩ) | T |
| R205 | 7030003680 | S.RESISTOR ERJ3GEYJ 104 V (100 kΩ) | T |
| R206 | 7030003640 | S.RESISTOR ERJ3GEYJ 473 V (47 kΩ) | T |
| R207 | 7030003420 | S.RESISTOR ERJ3GEYJ 681 V (680 Ω) | T |
| R208 | 7030003640 | S.RESISTOR ERJ3GEYJ 473 V (47 kΩ) | T |
| R209 | 7030003640 | S.RESISTOR ERJ3GEYJ 473 V (47 kΩ) | T |
| R210 | 7030003620 | S.RESISTOR ERJ3GEYJ 333 V (33 kΩ) | T |
| R211 | 7030003440 | S.RESISTOR ERJ3GEYJ 102 V (1 kΩ) | T |
| R212 | 7030003620 | S.RESISTOR ERJ3GEYJ 333 V (33 kΩ) | T |
| R213 | 7030003640 | S.RESISTOR ERJ3GEYJ 473 V (47 kΩ) | T |
| R214 | 7030003440 | S.RESISTOR ERJ3GEYJ 102 V (1 kΩ) | B |
| R215 | 7030003440 | S.RESISTOR ERJ3GEYJ 102 V (1 kΩ) | B |
| R216 | 7410001130 | S.ARRAY EXB28V102JX | T |
| R217 | 7410001130 | S.ARRAY EXB28V102JX | B |
| R218 | 7410001130 | S.ARRAY EXB28V102JX | T |
| R219 | 7410001130 | S.ARRAY EXB28V102JX | T |
| R220 | 7410001130 | S.ARRAY EXB28V102JX | B |
| R221 | 7410001150 | S.ARRAY EXB28V471JX | T |
| R222 | 7410001130 | S.ARRAY EXB28V102JX | T |
| R223 | 7410001130 | S.ARRAY EXB28V102JX | T |
| R224 | 7410001130 | S.ARRAY EXB28V102JX | T |
| R225 | 7030003680 | S.RESISTOR ERJ3GEYJ 104 V (100 kΩ) | T |
| R227 | 7030003640 | S.RESISTOR ERJ3GEYJ 473 V (47 kΩ) | B |
| R228 | 7030003640 | S.RESISTOR ERJ3GEYJ 473 V (47 kΩ) | T |
| R229 | 7030003640 | S.RESISTOR ERJ3GEYJ 473 V (47 kΩ) | T |
| R230 | 7030003640 | S.RESISTOR ERJ3GEYJ 473 V (47 kΩ) | T |
| R231 | 7030003640 | S.RESISTOR ERJ3GEYJ 473 V (47 kΩ) | T |
| R232 | 7030003640 | S.RESISTOR ERJ3GEYJ 473 V (47 kΩ) | T |
| R233 | 7030003640 | S.RESISTOR ERJ3GEYJ 473 V (47 kΩ) | T |
| R234 | 7030003640 | S.RESISTOR ERJ3GEYJ 473 V (47 kΩ) | T |
| R235 | 7030003440 | S.RESISTOR ERJ3GEYJ 102 V (1 kΩ) | T |
| R236 | 7030003440 | S.RESISTOR ERJ3GEYJ 102 V (1 kΩ) | T |
| R237 | 7030003440 | S.RESISTOR ERJ3GEYJ 102 V (1 kΩ) | T |
| R238 | 7030003440 | S.RESISTOR ERJ3GEYJ 102 V (1 kΩ) | T |
| R239 | 7410001130 | S.ARRAY EXB28V102JX | B |
| R240 | 7030003440 | S.RESISTOR ERJ3GEYJ 102 V (1 kΩ) | B |
| R241 | 7030003200 | S.RESISTOR ERJ3GEYJ 100 V (10 Ω) | B |

[LOGIC UNIT]

| REF NO. | ORDER NO. | DESCRIPTION | M. |
|---------|------------|------------------------------------|----|
| R242 | 7030003680 | S.RESISTOR ERJ3GEYJ 104 V (100 kΩ) | B |
| R243 | 7030003680 | S.RESISTOR ERJ3GEYJ 104 V (100 kΩ) | B |
| R245 | 7030003570 | S.RESISTOR ERJ3GEYJ 123 V (12 kΩ) | B |
| R246 | 7410001140 | S.ARRAY EXB28V104JX | B |
| R247 | 7030003680 | S.RESISTOR ERJ3GEYJ 104 V (100 kΩ) | B |
| R250 | 7410001140 | S.ARRAY EXB28V104JX | B |
| R251 | 7030003680 | S.RESISTOR ERJ3GEYJ 104 V (100 kΩ) | B |
| R256 | 7030003240 | S.RESISTOR ERJ3GEYJ 220 V (22 Ω) | T |
| R257 | 7030003620 | S.RESISTOR ERJ3GEYJ 333 V (33 kΩ) | T |
| R258 | 7030003650 | S.RESISTOR ERJ3GEYJ 563 V (56 kΩ) | T |
| R259 | 7030003680 | S.RESISTOR ERJ3GEYJ 104 V (100 kΩ) | T |
| R260 | 7030003680 | S.RESISTOR ERJ3GEYJ 104 V (100 kΩ) | T |
| R261 | 7030003640 | S.RESISTOR ERJ3GEYJ 473 V (47 kΩ) | B |
| R262 | 7030001210 | S.RESISTOR MCR50JZHZ 470 Ω (471) | B |
| R263 | 7030003410 | S.RESISTOR ERJ3GEYJ 561 V (560 Ω) | B |
| R264 | 7030003410 | S.RESISTOR ERJ3GEYJ 561 V (560 Ω) | B |
| R265 | 7030003450 | S.RESISTOR ERJ3GEYJ 122 V (1.2 kΩ) | B |
| R266 | 7030003440 | S.RESISTOR ERJ3GEYJ 102 V (1 kΩ) | T |
| R268 | 7030003640 | S.RESISTOR ERJ3GEYJ 473 V (47 kΩ) | T |
| R269 | 7030003680 | S.RESISTOR ERJ3GEYJ 104 V (100 kΩ) | B |
| R275 | 7030003680 | S.RESISTOR ERJ3GEYJ 104 V (100 kΩ) | T |
| R276 | 7030003560 | S.RESISTOR ERJ3GEYJ 103 V (10 kΩ) | B |
| R277 | 7030003680 | S.RESISTOR ERJ3GEYJ 104 V (100 kΩ) | T |
| R278 | 7030003680 | S.RESISTOR ERJ3GEYJ 104 V (100 kΩ) | T |
| R279 | 7030003680 | S.RESISTOR ERJ3GEYJ 104 V (100 kΩ) | T |
| R280 | 7030003680 | S.RESISTOR ERJ3GEYJ 104 V (100 kΩ) | T |
| R281 | 7030003680 | S.RESISTOR ERJ3GEYJ 104 V (100 kΩ) | B |
| R282 | 7030003740 | S.RESISTOR ERJ3GEYJ 334 V (330 kΩ) | B |
| R283 | 7030003560 | S.RESISTOR ERJ3GEYJ 103 V (10 kΩ) | B |
| R284 | 7030003700 | S.RESISTOR ERJ3GEYJ 154 V (150 kΩ) | B |
| R285 | 7030003700 | S.RESISTOR ERJ3GEYJ 154 V (150 kΩ) | T |
| R289 | 7030003660 | S.RESISTOR ERJ3GEYJ 683 V (68 kΩ) | T |
| R290 | 7030003640 | S.RESISTOR ERJ3GEYJ 473 V (47 kΩ) | T |
| R291 | 7030003660 | S.RESISTOR ERJ3GEYJ 683 V (68 kΩ) | T |
| R292 | 7030003520 | S.RESISTOR ERJ3GEYJ 472 V (4.7 kΩ) | T |
| R293 | 7030003670 | S.RESISTOR ERJ3GEYJ 823 V (82 kΩ) | T |
| R294 | 7030003670 | S.RESISTOR ERJ3GEYJ 823 V (82 kΩ) | T |
| R295 | 7030003650 | S.RESISTOR ERJ3GEYJ 563 V (56 kΩ) | T |
| R297 | 7030003620 | S.RESISTOR ERJ3GEYJ 333 V (33 kΩ) | T |
| R300 | 7030003520 | S.RESISTOR ERJ3GEYJ 472 V (4.7 kΩ) | T |
| R304 | 7030003800 | S.RESISTOR ERJ3GEYJ 105 V (1 MΩ) | B |
| R305 | 7030003620 | S.RESISTOR ERJ3GEYJ 333 V (33 kΩ) | T |
| R306 | 7030003600 | S.RESISTOR ERJ3GEYJ 223 V (22 kΩ) | B |
| R307 | 7030003410 | S.RESISTOR ERJ3GEYJ 561 V (560 Ω) | T |
| R312 | 7030003540 | S.RESISTOR ERJ3GEYJ 682 V (6.8 kΩ) | T |
| R313 | 7030003680 | S.RESISTOR ERJ3GEYJ 104 V (100 kΩ) | T |
| R314 | 7030003520 | S.RESISTOR ERJ3GEYJ 472 V (4.7 kΩ) | T |
| R315 | 7030003680 | S.RESISTOR ERJ3GEYJ 104 V (100 kΩ) | B |
| R316 | 7030003540 | S.RESISTOR ERJ3GEYJ 682 V (6.8 kΩ) | T |
| R317 | 7030003680 | S.RESISTOR ERJ3GEYJ 104 V (100 kΩ) | B |
| R318 | 7030003470 | S.RESISTOR ERJ3GEYJ 182 V (1.8 kΩ) | T |
| R320 | 7030003640 | S.RESISTOR ERJ3GEYJ 473 V (47 kΩ) | B |
| R321 | 7030003680 | S.RESISTOR ERJ3GEYJ 104 V (100 kΩ) | B |
| R322 | 7030003540 | S.RESISTOR ERJ3GEYJ 682 V (6.8 kΩ) | B |
| R323 | 7030003680 | S.RESISTOR ERJ3GEYJ 104 V (100 kΩ) | T |
| R325 | 7030003680 | S.RESISTOR ERJ3GEYJ 104 V (100 kΩ) | B |
| R326 | 7030003540 | S.RESISTOR ERJ3GEYJ 682 V (6.8 kΩ) | T |
| R327 | 7030003680 | S.RESISTOR ERJ3GEYJ 104 V (100 kΩ) | T |
| R328 | 7030003520 | S.RESISTOR ERJ3GEYJ 472 V (4.7 kΩ) | T |
| R329 | 7030003680 | S.RESISTOR ERJ3GEYJ 104 V (100 kΩ) | T |
| R330 | 7030003520 | S.RESISTOR ERJ3GEYJ 472 V (4.7 kΩ) | T |
| R331 | 7030003520 | S.RESISTOR ERJ3GEYJ 472 V (4.7 kΩ) | B |
| R332 | 7030003540 | S.RESISTOR ERJ3GEYJ 682 V (6.8 kΩ) | B |
| R334 | 7030003520 | S.RESISTOR ERJ3GEYJ 472 V (4.7 kΩ) | B |
| R335 | 7030003520 | S.RESISTOR ERJ3GEYJ 472 V (4.7 kΩ) | T |
| R336 | 7030003680 | S.RESISTOR ERJ3GEYJ 104 V (100 kΩ) | T |
| R337 | 7030003540 | S.RESISTOR ERJ3GEYJ 682 V (6.8 kΩ) | T |
| R338 | 7030003200 | S.RESISTOR ERJ3GEYJ 100 V (10 Ω) | B |
| R339 | 7030003200 | S.RESISTOR ERJ3GEYJ 100 V (10 Ω) | T |
| R340 | 7030003200 | S.RESISTOR ERJ3GEYJ 100 V (10 Ω) | T |
| R341 | 7030003510 | S.RESISTOR ERJ3GEYJ 392 V (3.9 kΩ) | T |
| R342 | 7030003510 | S.RESISTOR ERJ3GEYJ 392 V (3.9 kΩ) | T |
| R345 | 7030003500 | S.RESISTOR ERJ3GEYJ 332 V (3.3 kΩ) | T |
| R346 | 7030003450 | S.RESISTOR ERJ3GEYJ 122 V (1.2 kΩ) | T |
| R347 | 7030003540 | S.RESISTOR ERJ3GEYJ 682 V (6.8 kΩ) | T |
| R348 | 7030003520 | S.RESISTOR ERJ3GEYJ 472 V (4.7 kΩ) | T |
| R349 | 7030003320 | S.RESISTOR ERJ3GEYJ 101 V (100 Ω) | T |
| R350 | 7030003320 | S.RESISTOR ERJ3GEYJ 101 V (100 Ω) | T |
| R351 | 7030003320 | S.RESISTOR ERJ3GEYJ 101 V (100 Ω) | T |
| R352 | 7030003320 | S.RESISTOR ERJ3GEYJ 101 V (100 Ω) | B |
| R353 | 7030003520 | S.RESISTOR ERJ3GEYJ 472 V (4.7 kΩ) | T |
| R355 | 7030003520 | S.RESISTOR ERJ3GEYJ 472 V (4.7 kΩ) | T |
| R356 | 7030003540 | S.RESISTOR ERJ3GEYJ 682 V (6.8 kΩ) | B |
| R358 | 7030003480 | S.RESISTOR ERJ3GEYJ 222 V (2.2 kΩ) | B |
| R359 | 7030003410 | S.RESISTOR ERJ3GEYJ 561 V (560 Ω) | B |
| R367 | 7030003520 | S.RESISTOR ERJ3GEYJ 472 V (4.7 kΩ) | B |
| R368 | 7030003640 | S.RESISTOR ERJ3GEYJ 473 V (47 kΩ) | B |
| R369 | 7030003680 | S.RESISTOR ERJ3GEYJ 104 V (100 kΩ) | B |

[L]: LOW BAND, [M]: MIDDLE BAND, [H]: HIGH BAND

M.=Mounted side (T: Mounted on the Top side, B: Mounted on the Bottom side)
S.=Surface mount

[LOGIC UNIT]

| REF NO. | ORDER NO. | DESCRIPTION | M. |
|---------|------------|---|----|
| R370 | 7030003480 | S.RESISTOR ERJ3GEYJ 222 V (2.2 kΩ) | B |
| R371 | 7030003640 | S.RESISTOR ERJ3GEYJ 473 V (47 kΩ) | B |
| R372 | 7030003200 | S.RESISTOR ERJ3GEYJ 100 V (10 Ω) | B |
| R373 | 7030003520 | S.RESISTOR ERJ3GEYJ 472 V (4.7 kΩ) | B |
| R375 | 7030003680 | S.RESISTOR ERJ3GEYJ 104 V (100 kΩ) | B |
| R376 | 7030003540 | S.RESISTOR ERJ3GEYJ 682 V (6.8 kΩ) | B |
| R382 | 7030003520 | S.RESISTOR ERJ3GEYJ 472 V (4.7 kΩ) | B |
| R385 | 7030003560 | S.RESISTOR ERJ3GEYJ 103 V (10 kΩ) | T |
| R386 | 7030003520 | S.RESISTOR ERJ3GEYJ 472 V (4.7 kΩ) | T |
| R387 | 7030003200 | S.RESISTOR ERJ3GEYJ 100 V (10 Ω) | B |
| R389 | 7030003520 | S.RESISTOR ERJ3GEYJ 472 V (4.7 kΩ) | B |
| R390 | 7030003640 | S.RESISTOR ERJ3GEYJ 473 V (47 kΩ) | B |
| R391 | 7030003640 | S.RESISTOR ERJ3GEYJ 473 V (47 kΩ) | T |
| R392 | 7030003680 | S.RESISTOR ERJ3GEYJ 104 V (100 kΩ) | T |
| R396 | 7030003520 | S.RESISTOR ERJ3GEYJ 472 V (4.7 kΩ) | B |
| R397 | 7030003640 | S.RESISTOR ERJ3GEYJ 473 V (47 kΩ) | B |
| R398 | 7030003640 | S.RESISTOR ERJ3GEYJ 473 V (47 kΩ) | T |
| R399 | 7030003680 | S.RESISTOR ERJ3GEYJ 104 V (100 kΩ) | B |
| R403 | 7030003520 | S.RESISTOR ERJ3GEYJ 472 V (4.7 kΩ) | B |
| R404 | 7030003640 | S.RESISTOR ERJ3GEYJ 473 V (47 kΩ) | B |
| R405 | 7030003680 | S.RESISTOR ERJ3GEYJ 104 V (100 kΩ) | T |
| R407 | 7030003680 | S.RESISTOR ERJ3GEYJ 104 V (100 kΩ) | B |
| R408 | 7030003560 | S.RESISTOR ERJ3GEYJ 103 V (10 kΩ) | B |
| R409 | 7030003560 | S.RESISTOR ERJ3GEYJ 103 V (10 kΩ) | B |
| R411 | 7030003480 | S.RESISTOR ERJ3GEYJ 222 V (2.2 kΩ) | B |
| R412 | 7030003640 | S.RESISTOR ERJ3GEYJ 473 V (47 kΩ) | B |
| R414 | 7030003480 | S.RESISTOR ERJ3GEYJ 222 V (2.2 kΩ) | T |
| R415 | 7030003410 | S.RESISTOR ERJ3GEYJ 561 V (560 Ω) | T |
| R417 | 7030003200 | S.RESISTOR ERJ3GEYJ 100 V (10 Ω) | B |
| R435 | 7030003540 | S.RESISTOR ERJ3GEYJ 682 V (6.8 kΩ) | T |
| R436 | 7030003200 | S.RESISTOR ERJ3GEYJ 100 V (10 Ω) | T |
| R438 | 7030003200 | S.RESISTOR ERJ3GEYJ 100 V (10 Ω) | B |
| R441 | 7030003620 | S.RESISTOR ERJ3GEYJ 333 V (33 kΩ) | B |
| R442 | 7030003620 | S.RESISTOR ERJ3GEYJ 333 V (33 kΩ) | B |
| R443 | 7030003680 | S.RESISTOR ERJ3GEYJ 104 V (100 kΩ) | B |
| R450 | 7030000330 | S.RESISTOR MCR10EZJH 390 Ω (391) | B |
| R451 | 7030003680 | S.RESISTOR ERJ3GEYJ 104 V (100 kΩ) | T |
| R452 | 7030004040 | S.RESISTOR ERJ3GEYJ 4R7 V (4.7 Ω) | B |
| R453 | 7030003200 | S.RESISTOR ERJ3GEYJ 100 V (10 Ω) | B |
| R457 | 7030003410 | S.RESISTOR ERJ3GEYJ 561 V (560 Ω) | B |
| R460 | 7030000330 | S.RESISTOR MCR10EZJH 390 Ω (391) | B |
| R461 | 7030003680 | S.RESISTOR ERJ3GEYJ 104 V (100 kΩ) | B |
| R462 | 7030003680 | S.RESISTOR ERJ3GEYJ 104 V (100 kΩ) | B |
| R463 | 7030003280 | S.RESISTOR ERJ3GEYJ 470 V (47 Ω) | T |
| R464 | 7030003320 | S.RESISTOR ERJ3GEYJ 101 V (100 Ω) | T |
| R466 | 7030003440 | S.RESISTOR ERJ3GEYJ 102 V (1 kΩ) | B |
| R469 | 7030003320 | S.RESISTOR ERJ3GEYJ 101 V (100 Ω) | T |
| R470 | 7030003320 | S.RESISTOR ERJ3GEYJ 101 V (100 Ω) | T |
| R471 | 7030003680 | S.RESISTOR ERJ3GEYJ 104 V (100 kΩ) | B |
| R472 | 7030003680 | S.RESISTOR ERJ3GEYJ 104 V (100 kΩ) | T |
| R473 | 7030003680 | S.RESISTOR ERJ3GEYJ 104 V (100 kΩ) | T |
| R474 | 7030003620 | S.RESISTOR ERJ3GEYJ 333 V (33 kΩ) | T |
| R475 | 7030003740 | S.RESISTOR ERJ3GEYJ 334 V (330 kΩ) | T |
| R476 | 7030003540 | S.RESISTOR ERJ3GEYJ 682 V (6.8 kΩ) | T |
| R477 | 7030003500 | S.RESISTOR ERJ3GEYJ 332 V (3.3 kΩ) | T |
| R478 | 7030003520 | S.RESISTOR ERJ3GEYJ 472 V (4.7 kΩ) | T |
| R479 | 7030003480 | S.RESISTOR ERJ3GEYJ 222 V (2.2 kΩ) | B |
| | 7030003540 | S.RESISTOR ERJ3GEYJ 682 V (6.8 kΩ) [FR4100] | B |
| | | S.RESISTOR ERJ3GEYJ 683 V (68 kΩ) [FR4000] | B |
| R480 | 7030003560 | S.RESISTOR ERJ3GEYJ 103 V (10 kΩ) | B |
| R481 | 7030003660 | S.RESISTOR ERJ3GEYJ 823 V (82 kΩ) [FR4000] | B |
| | | S.RESISTOR ERJ3GEYJ 823 V (82 kΩ) [FR4100] | B |
| R486 | 7030001230 | S.RESISTOR MCR50JZH 680 Ω (681) | T |
| R487 | 7030003410 | S.RESISTOR ERJ3GEYJ 561 V (560 Ω) | B |
| R488 | 7030003480 | S.RESISTOR ERJ3GEYJ 222 V (2.2 kΩ) | T |
| R489 | 7030003440 | S.RESISTOR ERJ3GEYJ 102 V (1 kΩ) | T |
| R492 | 7030003470 | S.RESISTOR ERJ3GEYJ 182 V (1.8 kΩ) | T |
| R493 | 7030003480 | S.RESISTOR ERJ3GEYJ 222 V (2.2 kΩ) | T |
| R494 | 7030003640 | S.RESISTOR ERJ3GEYJ 473 V (47 kΩ) | T |
| R495 | 7030003680 | S.RESISTOR ERJ3GEYJ 104 V (100 kΩ) | B |
| R496 | 7030003480 | S.RESISTOR ERJ3GEYJ 222 V (2.2 kΩ) | T |
| R497 | 7030003520 | S.RESISTOR ERJ3GEYJ 472 V (4.7 kΩ) | B |
| R498 | 7030003520 | S.RESISTOR ERJ3GEYJ 472 V (4.7 kΩ) | B |
| R500 | 7030003680 | S.RESISTOR ERJ3GEYJ 104 V (100 kΩ) | T |
| R501 | 7030003640 | S.RESISTOR ERJ3GEYJ 473 V (47 kΩ) | T |
| R503 | 7030003680 | S.RESISTOR ERJ3GEYJ 104 V (100 kΩ) | T |
| R504 | 7030003680 | S.RESISTOR ERJ3GEYJ 104 V (100 kΩ) | B |
| R505 | 7030003200 | S.RESISTOR ERJ3GEYJ 100 V (10 Ω) | T |
| R506 | 7030003410 | S.RESISTOR ERJ3GEYJ 561 V (560 Ω) | T |
| R508 | 7030003560 | S.RESISTOR ERJ3GEYJ 103 V (10 kΩ) | B |
| R509 | 7030003560 | S.RESISTOR ERJ3GEYJ 103 V (10 kΩ) | B |
| R510 | 7030003200 | S.RESISTOR ERJ3GEYJ 100 V (10 Ω) | T |
| R511 | 7030003640 | S.RESISTOR ERJ3GEYJ 473 V (47 kΩ) | T |
| R512 | 7030003440 | S.RESISTOR ERJ3GEYJ 102 V (1 kΩ) | T |
| R519 | 7030003700 | S.RESISTOR ERJ3GEYJ 154 V (150 kΩ) | T |

[L]: LOW BAND, [M]: MIDDLE BAND, [H]: HIGH BAND

[LOGIC UNIT]

| REF NO. | ORDER NO. | DESCRIPTION | M. |
|---------|------------|--|----|
| R520 | 7030003620 | S.RESISTOR ERJ3GEYJ 333 V (33 kΩ) | T |
| R521 | 7030003640 | S.RESISTOR ERJ3GEYJ 473 V (47 kΩ) | B |
| R522 | 7030003520 | S.RESISTOR ERJ3GEYJ 472 V (4.7 kΩ) | T |
| R523 | 7030006480 | S.RESISTOR MCR100JZH 10 Ω (100) | B |
| R524 | 7030003410 | S.RESISTOR ERJ3GEYJ 561 V (560 Ω) | B |
| R525 | 7030003440 | S.RESISTOR ERJ3GEYJ 102 V (1 kΩ) | T |
| R526 | 7030003680 | S.RESISTOR ERJ3GEYJ 104 V (100 kΩ) | B |
| R527 | 7030007180 | S.RESISTOR ERJ12YJ150U (15 Ω) [FR4100] only | T |
| | | S.RESISTOR ERJ12YJ103U (10 kΩ) [FR4100] only | B |
| R528 | 7030010340 | S.RESISTOR ERJ12YJ472U (4.7 kΩ) [FR4100] only | B |
| R529 | 7030008020 | S.RESISTOR ERJ12YJ101U (100 Ω) | B |
| R530 | 7030006070 | S.RESISTOR ERJ3GEYJ 100 V (10 Ω) [FR4100] only | T |
| | | S.RESISTOR ERJ3GEYJ 103 V (10 kΩ) [FR4000] | T |
| | | S.RESISTOR ERJ3GEYJ 103 V (10 kΩ) [FR4100] | T |
| C1 | 4030017490 | S.CERAMIC C1608 JB 1A 105K-T | T |
| C2 | 4030006870 | S.CERAMIC C1608 JB 1H 222K-T | T |
| C3 | 4510004630 | S.ELECTROLYTIC ECEV1CA100SR | T |
| C4 | 4550006480 | S.TANTALUM TEESVA 1C 475M8L | T |
| C5 | 4030017490 | S.CERAMIC C1608 JB 1A 105K-T | B |
| C6 | 4030017490 | S.CERAMIC C1608 JB 1A 105K-T | B |
| C7 | 4030011600 | S.CERAMIC C1608 JB 1E 104K-T | T |
| C8 | 4030011600 | S.CERAMIC C1608 JB 1E 104K-T | T |
| C9 | 4030011600 | S.CERAMIC C1608 JB 1E 104K-T | T |
| C10 | 4030011600 | S.CERAMIC C1608 JB 1E 104K-T | T |
| C11 | 4030011600 | S.CERAMIC C1608 JB 1E 104K-T | T |
| C12 | 4030017800 | S.CERAMIC C1608 CH 1H 561J-T | T |
| C13 | 4030007120 | S.CERAMIC C1608 CH 1H 820J-T | T |
| C14 | 4030007170 | S.CERAMIC C1608 CH 1H 221J-T | T |
| C15 | 4030017870 | S.CERAMIC C1608 CH 1H 681J-T | T |
| C16 | 4030007110 | S.CERAMIC C1608 CH 1H 680J-T | T |
| C17 | 4030017870 | S.CERAMIC C1608 CH 1H 681J-T | T |
| C18 | 4030007140 | S.CERAMIC C1608 CH 1H 121J-T | T |
| C20 | 4030010760 | S.CERAMIC C1608 CH 1H 331J-T | T |
| C23 | 4030017490 | S.CERAMIC C1608 JB 1A 105K-T | T |
| C24 | 4030017490 | S.CERAMIC C1608 JB 1A 105K-T | T |
| C25 | 4030017490 | S.CERAMIC C1608 JB 1A 105K-T | T |
| C26 | 4030017490 | S.CERAMIC C1608 JB 1A 105K-T | T |
| C27 | 4030011600 | S.CERAMIC C1608 JB 1E 104K-T | T |
| C28 | 4550006250 | S.TANTALUM TEESVA 1A 106M8L | T |
| C30 | 4030011600 | S.CERAMIC C1608 JB 1E 104K-T | T |
| C31 | 4030017490 | S.CERAMIC C1608 JB 1A 105K-T | T |
| C32 | 4030011600 | S.CERAMIC C1608 JB 1E 104K-T | T |
| C33 | 4030017490 | S.CERAMIC C1608 JB 1A 105K-T | T |
| C34 | 4030017490 | S.CERAMIC C1608 JB 1A 105K-T | B |
| C36 | 4030011600 | S.CERAMIC C1608 JB 1E 104K-T | B |
| C37 | 4030011600 | S.CERAMIC C1608 JB 1E 104K-T | B |
| C38 | 4030011600 | S.CERAMIC C1608 JB 1E 104K-T | B |
| C39 | 4030011600 | S.CERAMIC C1608 JB 1E 104K-T | B |
| C40 | 4030011600 | S.CERAMIC C1608 JB 1E 104K-T | B |
| C42 | 4030011600 | S.CERAMIC C1608 JB 1E 104K-T | B |
| C43 | 4030006870 | S.CERAMIC C1608 JB 1H 222K-T | B |
| C44 | 4030007080 | S.CERAMIC C1608 CH 1H 390J-T | T |
| C45 | 4030017800 | S.CERAMIC C1608 CH 1H 561J-T | T |
| C46 | 4030007130 | S.CERAMIC C1608 CH 1H 101J-T | T |
| C47 | 4030009490 | S.CERAMIC C1608 JB 1H 821K-T | T |
| C48 | 4030007170 | S.CERAMIC C1608 CH 1H 221J-T | T |
| C49 | 4030007170 | S.CERAMIC C1608 CH 1H 221J-T | T |
| C50 | 4030007150 | S.CERAMIC C1608 CH 1H 151J-T | T |
| C51 | 4030007030 | S.CERAMIC C1608 CH 1H 150J-T | T |
| C52 | 4030007150 | S.CERAMIC C1608 CH 1H 151J-T | T |
| C53 | 4030017490 | S.CERAMIC C1608 JB 1A 105K-T | T |
| C54 | 4030011600 | S.CERAMIC C1608 JB 1E 104K-T | T |
| C56 | 4030011600 | S.CERAMIC C1608 JB 1E 104K-T | T |
| C58 | 4030017490 | S.CERAMIC C1608 JB 1A 105K-T | T |
| C59 | 4030017490 | S.CERAMIC C1608 JB 1A 105K-T | T |
| C60 | 4030008860 | S.CERAMIC C1608 JB 1H 153K-T | B |
| C61 | 4030008860 | S.CERAMIC C1608 JB 1H 153K-T | B |
| C62 | 4030006880 | S.CERAMIC C1608 JB 1H 472K-T | B |
| C63 | 4030010770 | S.CERAMIC C1608 JB 1H 392K-T | B |
| C64 | 4030006860 | S.CERAMIC C1608 JB 1H 102K-T | B |
| C66 | 4030008850 | S.CERAMIC C1608 JB 1H 123K-T | B |
| C67 | 4030010760 | S.CERAMIC C1608 CH 1H 331J-T | B |
| C68 | 4030007170 | S.CERAMIC C1608 CH 1H 221J-T | B |
| C70 | 4030009980 | S.CERAMIC C1608 JB 1H 152K-T | B |
| C71 | 4030008900 | S.CERAMIC C1608 JB 1H 333K-T | B |
| C72 | 4030007100 | S.CERAMIC C1608 CH 1H 560J-T | B |
| C74 | 4550006480 | S.TANTALUM TEESVA 1C 475M8L | B |
| C76 | 4030011600 | S.CERAMIC C1608 JB 1E 104K-T | T |
| C77 | 4030009490 | S.CERAMIC C1608 JB 1H 821K-T | T |
| C78 | 4030007150 | S.CERAMIC C1608 CH 1H 151J-T | T |
| C80 | 4030008920 | S.CERAMIC C1608 JB 1H 473K-T | T |
| C83 | 4030011600 | S.CERAMIC C1608 JB 1E 104K-T | T |

M.=Mounted side (T: Mounted on the Top side, B: Mounted on the Bottom side) S.=Surface mount

[LOGIC UNIT]

| REF NO. | ORDER NO. | DESCRIPTION | M. |
|---------|------------|------------------------------|----|
| C84 | 4030006860 | S.CERAMIC C1608 JB 1H 102K-T | B |
| C85 | 4030017490 | S.CERAMIC C1608 JB 1A 105K-T | B |
| C87 | 4030011600 | S.CERAMIC C1608 JB 1E 104K-T | B |
| C88 | 4030011600 | S.CERAMIC C1608 JB 1E 104K-T | B |
| C89 | 4030008870 | S.CERAMIC C1608 JB 1H 183K-T | T |
| C90 | 4030011600 | S.CERAMIC C1608 JB 1E 104K-T | T |
| C91 | 4030009490 | S.CERAMIC C1608 JB 1H 821K-T | T |
| C92 | 4030008650 | S.CERAMIC C1608 JB 1H 332K-T | B |
| C93 | 4030012610 | S.CERAMIC C2012 JB 1C 474K-T | B |
| C94 | 4550006250 | S.TANTALUM TEESVA 1A 106M8L | B |
| C95 | 4510004510 | ELECTROLYTIC 25 MV 470 HC | T |
| C96 | 4030011600 | S.CERAMIC C1608 JB 1E 104K-T | B |
| C97 | 4510004510 | ELECTROLYTIC 25 MV 470 HC | T |
| C98 | 4030011600 | S.CERAMIC C1608 JB 1E 104K-T | T |
| C99 | 4030011600 | S.CERAMIC C1608 JB 1E 104K-T | T |
| C100 | 4510007040 | ELECTROLYTIC 50 MV 10 HWN | T |
| C103 | 4030017200 | S.CERAMIC GRM31BR32J102KY01L | B |
| C106 | 4030008900 | S.CERAMIC C1608 JB 1H 333K-T | B |
| C107 | 4510005310 | S.ELECTROLYTIC ECEV1CA220SR | T |
| C108 | 4030011600 | S.CERAMIC C1608 JB 1E 104K-T | B |
| C109 | 4510004630 | S.ELECTROLYTIC ECEV1CA100SR | T |
| C110 | 4510004630 | S.ELECTROLYTIC ECEV1CA100SR | T |
| C111 | 4510005280 | ELECTROLYTIC 6.3 MV 220 HC | B |
| C112 | 4030011600 | S.CERAMIC C1608 JB 1E 104K-T | T |
| C113 | 4030007170 | S.CERAMIC C1608 CH 1H 221J-T | B |
| C114 | 4550006250 | S.TANTALUM TEESVA 1A 106M8L | B |
| C115 | 4550003250 | S.TANTALUM TEESVA 1V 474M8L | T |
| C116 | 4030007130 | S.CERAMIC C1608 CH 1H 101J-T | B |
| C117 | 4030011600 | S.CERAMIC C1608 JB 1E 104K-T | T |
| C118 | 4030011600 | S.CERAMIC C1608 JB 1E 104K-T | B |
| C123 | 4030011600 | S.CERAMIC C1608 JB 1E 104K-T | B |
| C124 | 4030011600 | S.CERAMIC C1608 JB 1E 104K-T | T |
| C125 | 4030011600 | S.CERAMIC C1608 JB 1E 104K-T | T |
| C126 | 4550006250 | S.TANTALUM TEESVA 1A 106M8L | T |
| C127 | 4030008880 | S.CERAMIC C1608 JB 1H 223K-T | B |
| C128 | 4030006900 | S.CERAMIC C1608 JB 1H 103K-T | T |
| C129 | 4030011600 | S.CERAMIC C1608 JB 1E 104K-T | B |
| C130 | 4030007090 | S.CERAMIC C1608 CH 1H 470J-T | B |
| C131 | 4030007090 | S.CERAMIC C1608 CH 1H 470J-T | B |
| C132 | 4030007090 | S.CERAMIC C1608 CH 1H 470J-T | B |
| C133 | 4030007090 | S.CERAMIC C1608 CH 1H 470J-T | B |
| C134 | 4030007090 | S.CERAMIC C1608 CH 1H 470J-T | T |
| C135 | 4030007090 | S.CERAMIC C1608 CH 1H 470J-T | T |
| C136 | 4030007090 | S.CERAMIC C1608 CH 1H 470J-T | T |
| C137 | 4030007090 | S.CERAMIC C1608 CH 1H 470J-T | T |
| C138 | 4030007090 | S.CERAMIC C1608 CH 1H 470J-T | B |
| C139 | 4030007050 | S.CERAMIC C1608 CH 1H 220J-T | T |
| C140 | 4030007030 | S.CERAMIC C1608 CH 1H 150J-T | T |
| C141 | 4030007090 | S.CERAMIC C1608 CH 1H 470J-T | B |
| C142 | 4030006900 | S.CERAMIC C1608 JB 1H 103K-T | B |
| C143 | 4030006900 | S.CERAMIC C1608 JB 1H 103K-T | B |
| C144 | 4030011600 | S.CERAMIC C1608 JB 1E 104K-T | B |
| C145 | 4030011600 | S.CERAMIC C1608 JB 1E 104K-T | B |
| C146 | 4030011600 | S.CERAMIC C1608 JB 1E 104K-T | B |
| C147 | 4030011600 | S.CERAMIC C1608 JB 1E 104K-T | B |
| C148 | 4030006860 | S.CERAMIC C1608 JB 1H 102K-T | B |
| C149 | 4030011600 | S.CERAMIC C1608 JB 1E 104K-T | B |
| C150 | 4030011600 | S.CERAMIC C1608 JB 1E 104K-T | T |
| C151 | 4030007090 | S.CERAMIC C1608 CH 1H 470J-T | B |
| C152 | 4030007090 | S.CERAMIC C1608 CH 1H 470J-T | B |
| C153 | 4030007090 | S.CERAMIC C1608 CH 1H 470J-T | B |
| C154 | 4030007090 | S.CERAMIC C1608 CH 1H 470J-T | B |
| C155 | 4030007090 | S.CERAMIC C1608 CH 1H 470J-T | T |
| C156 | 4030007090 | S.CERAMIC C1608 CH 1H 470J-T | T |
| C157 | 4030007090 | S.CERAMIC C1608 CH 1H 470J-T | T |
| C158 | 4030007090 | S.CERAMIC C1608 CH 1H 470J-T | T |
| C159 | 4030007090 | S.CERAMIC C1608 CH 1H 470J-T | B |
| C160 | 4030007090 | S.CERAMIC C1608 CH 1H 470J-T | T |
| C161 | 4030007090 | S.CERAMIC C1608 CH 1H 470J-T | T |
| C162 | 4030007090 | S.CERAMIC C1608 CH 1H 470J-T | T |
| C163 | 4030007090 | S.CERAMIC C1608 CH 1H 470J-T | T |
| C164 | 4030007090 | S.CERAMIC C1608 CH 1H 470J-T | T |
| C165 | 4030007090 | S.CERAMIC C1608 CH 1H 470J-T | T |
| C166 | 4030007090 | S.CERAMIC C1608 CH 1H 470J-T | T |
| C167 | 4030007090 | S.CERAMIC C1608 CH 1H 470J-T | T |
| C168 | 4030007090 | S.CERAMIC C1608 CH 1H 470J-T | T |
| C169 | 4030007090 | S.CERAMIC C1608 CH 1H 470J-T | T |
| C170 | 4030007090 | S.CERAMIC C1608 CH 1H 470J-T | T |
| C171 | 4030007090 | S.CERAMIC C1608 CH 1H 470J-T | T |
| C172 | 4030007090 | S.CERAMIC C1608 CH 1H 470J-T | B |
| C173 | 4030007090 | S.CERAMIC C1608 CH 1H 470J-T | B |
| C174 | 4030007090 | S.CERAMIC C1608 CH 1H 470J-T | T |
| C176 | 4030007090 | S.CERAMIC C1608 CH 1H 470J-T | T |
| C177 | 4030007090 | S.CERAMIC C1608 CH 1H 470J-T | T |
| C178 | 4030007090 | S.CERAMIC C1608 CH 1H 470J-T | B |
| C179 | 4030007090 | S.CERAMIC C1608 CH 1H 470J-T | B |
| C180 | 4030007090 | S.CERAMIC C1608 CH 1H 470J-T | B |
| C181 | 4030006860 | S.CERAMIC C1608 JB 1H 102K-T | B |

[L]: LOW BAND, [M]: MIDDLE BAND, [H]: HIGH BAND

[LOGIC UNIT]

| REF NO. | ORDER NO. | DESCRIPTION | M. |
|---------|------------|------------------------------|----|
| C182 | 4030007090 | S.CERAMIC C1608 CH 1H 470J-T | T |
| C184 | 4030007090 | S.CERAMIC C1608 CH 1H 470J-T | T |
| C185 | 4030007090 | S.CERAMIC C1608 CH 1H 470J-T | T |
| C186 | 4030007090 | S.CERAMIC C1608 CH 1H 470J-T | T |
| C187 | 4030007090 | S.CERAMIC C1608 CH 1H 470J-T | T |
| C188 | 4030007090 | S.CERAMIC C1608 CH 1H 470J-T | T |
| C189 | 4030007090 | S.CERAMIC C1608 CH 1H 470J-T | T |
| C190 | 4030007090 | S.CERAMIC C1608 CH 1H 470J-T | B |
| C191 | 4030007090 | S.CERAMIC C1608 CH 1H 470J-T | B |
| C192 | 4030007090 | S.CERAMIC C1608 CH 1H 470J-T | B |
| C193 | 4030007090 | S.CERAMIC C1608 CH 1H 470J-T | B |
| C194 | 4030007090 | S.CERAMIC C1608 CH 1H 470J-T | T |
| C195 | 4030007090 | S.CERAMIC C1608 CH 1H 470J-T | T |
| C197 | 4030007090 | S.CERAMIC C1608 CH 1H 470J-T | T |
| C198 | 4030007090 | S.CERAMIC C1608 CH 1H 470J-T | B |
| C199 | 4030007090 | S.CERAMIC C1608 CH 1H 470J-T | B |
| C200 | 4030007090 | S.CERAMIC C1608 CH 1H 470J-T | T |
| C201 | 4030007090 | S.CERAMIC C1608 CH 1H 470J-T | T |
| C202 | 4030007090 | S.CERAMIC C1608 CH 1H 470J-T | B |
| C203 | 4030007090 | S.CERAMIC C1608 CH 1H 470J-T | T |
| C204 | 4030007090 | S.CERAMIC C1608 CH 1H 470J-T | T |
| C205 | 4030007090 | S.CERAMIC C1608 CH 1H 470J-T | T |
| C206 | 4030007090 | S.CERAMIC C1608 CH 1H 470J-T | B |
| C207 | 4030007090 | S.CERAMIC C1608 CH 1H 470J-T | B |
| C208 | 4030007090 | S.CERAMIC C1608 CH 1H 470J-T | T |
| C209 | 4030007090 | S.CERAMIC C1608 CH 1H 470J-T | B |
| C210 | 4030007090 | S.CERAMIC C1608 CH 1H 470J-T | T |
| C211 | 4030007090 | S.CERAMIC C1608 CH 1H 470J-T | T |
| C212 | 4030007090 | S.CERAMIC C1608 CH 1H 470J-T | T |
| C213 | 4030007090 | S.CERAMIC C1608 CH 1H 470J-T | B |
| C214 | 4030007090 | S.CERAMIC C1608 CH 1H 470J-T | T |
| C215 | 4030007090 | S.CERAMIC C1608 CH 1H 470J-T | B |
| C216 | 4030007090 | S.CERAMIC C1608 CH 1H 470J-T | T |
| C217 | 4030007090 | S.CERAMIC C1608 CH 1H 470J-T | B |
| C218 | 4030007090 | S.CERAMIC C1608 CH 1H 470J-T | T |
| C219 | 4030007090 | S.CERAMIC C1608 CH 1H 470J-T | B |
| C220 | 4030007090 | S.CERAMIC C1608 CH 1H 470J-T | T |
| C221 | 4030007090 | S.CERAMIC C1608 CH 1H 470J-T | T |
| C223 | 4030007090 | S.CERAMIC C1608 CH 1H 470J-T | B |
| C224 | 4030007090 | S.CERAMIC C1608 CH 1H 470J-T | B |
| C225 | 4030007090 | S.CERAMIC C1608 CH 1H 470J-T | B |
| C226 | 4030007090 | S.CERAMIC C1608 CH 1H 470J-T | B |
| C227 | 4030007090 | S.CERAMIC C1608 CH 1H 470J-T | B |
| C228 | 4030007090 | S.CERAMIC C1608 CH 1H 470J-T | B |
| C229 | 4030007090 | S.CERAMIC C1608 CH 1H 470J-T | B |
| C230 | 4030007090 | S.CERAMIC C1608 CH 1H 470J-T | B |
| C231 | 4030007090 | S.CERAMIC C1608 CH 1H 470J-T | B |
| C232 | 4030007090 | S.CERAMIC C1608 CH 1H 470J-T | B |
| C233 | 4030006860 | S.CERAMIC C1608 JB 1H 102K-T | T |
| C234 | 4030006860 | S.CERAMIC C1608 JB 1H 102K-T | T |
| C235 | 4030006860 | S.CERAMIC C1608 JB 1H 102K-T | B |
| C236 | 4030006860 | S.CERAMIC C1608 JB 1H 102K-T | B |
| C237 | 4030006860 | S.CERAMIC C1608 JB 1H 102K-T | B |
| C238 | 4030006860 | S.CERAMIC C1608 JB 1H 102K-T | B |
| C239 | 4510004510 | ELECTROLYTIC 25 MV 470 HC | T |
| C240 | 4030006860 | S.CERAMIC C1608 JB 1H 102K-T | B |
| C241 | 4510004630 | S.ELECTROLYTIC ECEV1CA100SR | T |
| C242 | 4030007080 | S.CERAMIC C1608 CH 1H 390J-T | B |
| C244 | 4030006860 | S.CERAMIC C1608 JB 1H 102K-T | T |
| C247 | 4510004640 | S.ELECTROLYTIC ECEV1CA470SP | T |
| C248 | 4510004630 | S.ELECTROLYTIC ECEV1CA100SR | T |
| C249 | 4510004640 | S.ELECTROLYTIC ECEV1CA470SP | T |
| C250 | 4030011600 | S.CERAMIC C1608 JB 1E 104K-T | B |
| C251 | 4030011600 | S.CERAMIC C1608 JB 1E 104K-T | T |
| C252 | 4030011600 | S.CERAMIC C1608 JB 1E 104K-T | T |
| C253 | 4030006860 | S.CERAMIC C1608 JB 1H 102K-T | B |
| C254 | 4510004630 | S.ELECTROLYTIC ECEV1CA100SR | T |
| C255 | 4030011600 | S.CERAMIC C1608 JB 1E 104K-T | B |
| C260 | 4030017490 | S.CERAMIC C1608 JB 1A 105K-T | T |
| C261 | 4550002960 | S.TANTALUM TEESVA 1C 155M8L | B |
| C262 | 4030007070 | S.CERAMIC C1608 CH 1H 330J-T | B |
| C263 | 4030007070 | S.CERAMIC C1608 CH 1H 330J-T | B |
| C264 | 4030006860 | S.CERAMIC C1608 JB 1H 102K-T | B |
| C265 | 4510004630 | S.ELECTROLYTIC ECEV1CA100SR | T |
| C266 | 4030017490 | S.CERAMIC C1608 JB 1A 105K-T | T |
| C270 | 4030008880 | S.CERAMIC C1608 JB 1H 223K-T | T |
| C271 | 4030008920 | S.CERAMIC C1608 JB 1H 473K-T | T |
| C272 | 4030010020 | S.CERAMIC C1608 JB 1H 122K-T | T |
| C273 | 4030009980 | S.CERAMIC C1608 JB 1H 152K-T | T |
| C274 | 4030008900 | S.CERAMIC C1608 JB 1H 333K-T | T |
| C275 | 4030008900 | S.CERAMIC C1608 JB 1H 333K-T | T |
| C276 | 4030010020 | S.CERAMIC C1608 JB 1H 122K-T | T |
| C277 | 4030006900 | S.CERAMIC C1608 JB 1H 103K-T | T |
| C282 | 4030017490 | S.CERAMIC C1608 JB 1A 105K-T | T |
| C283 | 4550006250 | S.TANTALUM TEESVA 1A 106M8L | B |
| C287 | 4550006250 | S.TANTALUM TEESVA 1A 106M8L | T |
| C288 | 4510004630 | S.ELECTROLYTIC ECEV1CA100SR | T |
| C289 | 4550006250 | S.TANTALUM TEESVA 1A 106M8L | T |

M.=Mounted side (T: Mounted on the Top side, B: Mounted on the Bottom side)
S.=Surface mount

[LOGIC UNIT]

| REF NO. | ORDER NO. | DESCRIPTION | M. |
|---------|------------|------------------------------|----|
| C290 | 4510004630 | S.ELECTROLYTIC ECEV1CA100SR | T |
| C292 | 4550006250 | S.TANTALUM TEESVA 1A 106M8L | B |
| C294 | 4550006250 | S.TANTALUM TEESVA 1A 106M8L | T |
| C295 | 4550006250 | S.TANTALUM TEESVA 1A 106M8L | T |
| C296 | 4550006250 | S.TANTALUM TEESVA 1A 106M8L | T |
| C297 | 4550006250 | S.TANTALUM TEESVA 1A 106M8L | T |
| C301 | 4510004630 | S.ELECTROLYTIC ECEV1CA100SR | T |
| C302 | 4510004630 | S.ELECTROLYTIC ECEV1CA100SR | T |
| C303 | 4030011600 | S.CERAMIC C1608 JB 1E 104K-T | T |
| C307 | 4030007050 | S.CERAMIC C1608 CH 1H 220J-T | B |
| C308 | 4030017490 | S.CERAMIC C1608 JB 1A 105K-T | B |
| C310 | 4030011600 | S.CERAMIC C1608 JB 1E 104K-T | T |
| C311 | 4030011600 | S.CERAMIC C1608 JB 1E 104K-T | B |
| C312 | 4030011600 | S.CERAMIC C1608 JB 1E 104K-T | T |
| C313 | 4030011600 | S.CERAMIC C1608 JB 1E 104K-T | B |
| C316 | 4030017490 | S.CERAMIC C1608 JB 1A 105K-T | B |
| C322 | 4030011600 | S.CERAMIC C1608 JB 1E 104K-T | T |
| C323 | 4030017490 | S.CERAMIC C1608 JB 1A 105K-T | B |
| C325 | 4550006250 | S.TANTALUM TEESVA 1A 106M8L | B |
| C326 | 4030011600 | S.CERAMIC C1608 JB 1E 104K-T | B |
| C328 | 4550006250 | S.TANTALUM TEESVA 1A 106M8L | B |
| C329 | 4550006250 | S.TANTALUM TEESVA 1A 106M8L | B |
| C330 | 4550006250 | S.TANTALUM TEESVA 1A 106M8L | T |
| C332 | 4030011600 | S.CERAMIC C1608 JB 1E 104K-T | B |
| C335 | 4550006480 | S.TANTALUM TEESVA 1C 475M8L | B |
| C337 | 4510004630 | S.ELECTROLYTIC ECEV1CA100SR | T |
| C339 | 4030011600 | S.CERAMIC C1608 JB 1E 104K-T | B |
| C340 | 4030017490 | S.CERAMIC C1608 JB 1A 105K-T | T |
| C341 | 4030017490 | S.CERAMIC C1608 JB 1A 105K-T | T |
| C342 | 4030011600 | S.CERAMIC C1608 JB 1E 104K-T | B |
| C343 | 4030006900 | S.CERAMIC C1608 JB 1H 103K-T | B |
| C345 | 4030006860 | S.CERAMIC C1608 JB 1H 102K-T | T |
| C346 | 4030006900 | S.CERAMIC C1608 JB 1H 103K-T | B |
| C347 | 4550000530 | S.TANTALUM TEESVA 1V 104M8L | B |
| C361 | 4030006860 | S.CERAMIC C1608 JB 1H 102K-T | B |
| C362 | 4030007050 | S.CERAMIC C1608 CH 1H 220J-T | T |
| C363 | 4030006860 | S.CERAMIC C1608 JB 1H 102K-T | T |
| C364 | 4030007050 | S.CERAMIC C1608 CH 1H 220J-T | T |
| C366 | 4030007050 | S.CERAMIC C1608 CH 1H 220J-T | B |
| C371 | 4030011600 | S.CERAMIC C1608 JB 1E 104K-T | B |
| C372 | 4030007110 | S.CERAMIC C1608 CH 1H 680J-T | B |
| C373 | 4030008870 | S.CERAMIC C1608 JB 1H 183K-T | B |
| C375 | 4310000900 | MYLAR 250 MMW 105K-EF | T |
| C380 | 4030011600 | S.CERAMIC C1608 JB 1E 104K-T | B |
| C382 | 4030007050 | S.CERAMIC C1608 CH 1H 220J-T | T |
| C383 | 4030007050 | S.CERAMIC C1608 CH 1H 220J-T | B |
| C384 | 4030011600 | S.CERAMIC C1608 JB 1E 104K-T | B |
| C386 | 4550006480 | S.TANTALUM TEESVA 1C 475M8L | B |
| C388 | 4030011600 | S.CERAMIC C1608 JB 1E 104K-T | T |
| C389 | 4030006900 | S.CERAMIC C1608 JB 1H 103K-T | T |
| C390 | 4030011600 | S.CERAMIC C1608 JB 1E 104K-T | T |
| C395 | 4030011600 | S.CERAMIC C1608 JB 1E 104K-T | T |
| C396 | 4030017490 | S.CERAMIC C1608 JB 1A 105K-T | T |
| C397 | 4030011600 | S.CERAMIC C1608 JB 1E 104K-T | T |
| C398 | 4030011600 | S.CERAMIC C1608 JB 1E 104K-T | T |
| C399 | 4030011600 | S.CERAMIC C1608 JB 1E 104K-T | T |
| C407 | 4030011600 | S.CERAMIC C1608 JB 1E 104K-T | T |
| C408 | 4030007090 | S.CERAMIC C1608 CH 1H 470J-T | T |
| C409 | 4030006870 | S.CERAMIC C1608 JB 1H 222K-T | T |
| C411 | 4030007130 | S.CERAMIC C1608 CH 1H 101J-T | T |
| C412 | 4030006860 | S.CERAMIC C1608 JB 1H 102K-T | T |
| C413 | 4030011600 | S.CERAMIC C1608 JB 1E 104K-T | T |
| C414 | 4030017490 | S.CERAMIC C1608 JB 1A 105K-T | B |
| C415 | 4030011600 | S.CERAMIC C1608 JB 1E 104K-T | T |
| C416 | 4030011600 | S.CERAMIC C1608 JB 1E 104K-T | B |
| C417 | 4030011600 | S.CERAMIC C1608 JB 1E 104K-T | B |
| C418 | 4030011600 | S.CERAMIC C1608 JB 1E 104K-T | B |
| C419 | 4340000060 | S.MYLAR ECH-U 1C103JB5 | B |
| C420 | 4550006250 | S.TANTALUM TEESVA 1A 106M8L | T |
| C421 | 4030007050 | S.CERAMIC C1608 CH 1H 220J-T | B |
| C422 | 4030007050 | S.CERAMIC C1608 CH 1H 220J-T | B |
| C423 | 4030007050 | S.CERAMIC C1608 CH 1H 220J-T | B |
| C424 | 4030007050 | S.CERAMIC C1608 CH 1H 220J-T | T |
| C425 | 4030011600 | S.CERAMIC C1608 JB 1E 104K-T | T |
| C426 | 4550006250 | S.TANTALUM TEESVA 1A 106M8L | B |
| C427 | 4030007170 | S.CERAMIC C1608 CH 1H 221J-T | B |
| C428 | 4030011600 | S.CERAMIC C1608 JB 1E 104K-T | T |
| C429 | 4030011600 | S.CERAMIC C1608 JB 1E 104K-T | T |
| C430 | 4030011600 | S.CERAMIC C1608 JB 1E 104K-T | T |
| C431 | 4030011600 | S.CERAMIC C1608 JB 1E 104K-T | T |
| C432 | 4030007050 | S.CERAMIC C1608 CH 1H 220J-T | B |
| C433 | 4030006860 | S.CERAMIC C1608 JB 1H 102K-T | B |
| C434 | 4510004630 | S.ELECTROLYTIC ECEV1CA100SR | T |
| C435 | 4030007090 | S.CERAMIC C1608 CH 1H 470J-T | T |
| C436 | 4030007090 | S.CERAMIC C1608 CH 1H 470J-T | B |
| C437 | 4030011600 | S.CERAMIC C1608 JB 1E 104K-T | T |
| C438 | 4030006860 | S.CERAMIC C1608 JB 1H 102K-T | B |
| C439 | 4030011600 | S.CERAMIC C1608 JB 1E 104K-T | T |

[L]: LOW BAND, [M]: MIDDLE BAND, [H]: HIGH BAND

[LOGIC UNIT]

| REF NO. | ORDER NO. | DESCRIPTION | M. |
|---------|------------|--|----|
| C440 | 4030011600 | S.CERAMIC C1608 JB 1E 104K-T | T |
| C441 | 4030018060 | S.CERAMIC C5750 JB 2E 474KT | T |
| C442 | 4030017490 | S.CERAMIC C1608 JB 1A 105K-T | T |
| C443 | 4030006900 | S.CERAMIC C1608 JB 1H 103K-T | T |
| C447 | 4030017490 | S.CERAMIC C1608 JB 1A 105K-T | T |
| C448 | 4550002980 | S.TANTALUM TEESVA 1C 225M8L | T |
| C449 | 4550000460 | S.TANTALUM TEESVA 1C 105M8L | B |
| C450 | 4030011600 | S.CERAMIC C1608 JB 1E 104K-T | T |
| C451 | 4550006250 | S.TANTALUM TEESVA 1A 106M8L | B |
| C452 | 4030017490 | S.CERAMIC C1608 JB 1A 105K-T | T |
| C453 | 4510005360 | S.ELECTROLYTIC ECEV1HA4R7SR [FR4100] only | T |
| C454 | 4030008650 | S.CERAMIC C1608 JB 1H 332K-T [FR4100] only | B |
| C455 | 4030007130 | S.CERAMIC C1608 CH 1H 101J-T [FR4100] only | B |
| C456 | 4030006860 | S.CERAMIC C1608 JB 1H 102K-T [FR4100] only | B |
| C457 | 4030011810 | S.CERAMIC C1608 JB 1A 224K-T [FR4100] only | T |
| RL1 | 6330001640 | RELAY ATX209 | T |
| RL2 | 6330001640 | RELAY ATX209 | T |
| J1 | 6510022590 | S.CONNECTOR 22FMN-BMTTR-A-TBT | B |
| J2 | 6510022590 | S.CONNECTOR 22FMN-BMTTR-A-TBT | B |
| J3 | 6510022580 | S.CONNECTOR 24FMN-BMTTR-A-TBT | B |
| J4 | 6510022620 | S.CONNECTOR 10FMN-BMTTR-A-TBT | B |
| J5 | 6510018970 | S.CONNECTOR B4B-PH-SM3-TB | B |
| J6 | 6510022620 | S.CONNECTOR 10FMN-BMTTR-A-TBT | B |
| J7 | 6510018430 | S.CONNECTOR AXN330C038P | B |
| J8 | 6510018430 | S.CONNECTOR AXN330C038P | B |
| J9 | 6510020050 | S.CONNECTOR B11B-PH-SM3-TB | T |
| J10 | 6510018940 | S.CONNECTOR B13B-PH-SM3-TB | T |
| J11 | 6510018940 | S.CONNECTOR B13B-PH-SM3-TB | T |
| J12 | 6510021440 | S.CONNECTOR B6B-ZR-SM3-TF | B |
| J13 | 6510022190 | S.CONNECTOR B3B-PH-SM3-TB | T |
| J14 | 6510022190 | S.CONNECTOR B3B-PH-SM3-TB | T |
| J15 | 6510018960 | S.CONNECTOR B2B-PH-SM3-TB | T |
| J16 | 6510018960 | S.CONNECTOR B2B-PH-SM3-TB | T |
| F1 | 5210000030 | FUSE FGB 1A (FGB0 125V) | T |
| F2 | 5220000020 | HOLDER S-N5051 | T |
| F3 | 5220000020 | HOLDER S-N5051 | T |
| T1 | 5920000570 | TRANSFORMER 12T01 | T |
| T2 | 5920000570 | TRANSFORMER 12T01 | T |
| T5 | 5920000860 | TRANSFORMER PLA10AS1030R7R2 | T |
| T6 | 5910000970 | TRANSFORMER ATS-007 <ATE> Other [USA1], [USA3] | T |
| T7 | 5920000570 | TRANSFORMER 12T01 [USA1], [USA3] | T |
| T7 | 5910000970 | TRANSFORMER ATS-007 <ATE> Other [USA1], [USA3] | T |
| T8 | 5920000570 | TRANSFORMER 12T01 [USA1], [USA3] | T |
| T8 | 5910000970 | TRANSFORMER ATS-007 <ATE> Other [USA1], [USA3] | T |
| T8 | 5920000570 | TRANSFORMER 12T01 [USA1], [USA3] | T |
| W1 | 7030003860 | S.RESISTOR ERJ3GE JPW V | B |
| W2 | 7030003860 | S.RESISTOR ERJ3GE JPW V | B |
| W3 | 8900008940 | CABLE OPC-886 (P=1 N=10 L=75) | T |
| W4 | 8900009230 | CABLE OPC-908 (P=1 N=10 L=60) | B |
| W5 | 8900008740 | CABLE OPC-867 (P=1 N=24 L=60) | B |
| W7 | 7030003860 | S.RESISTOR ERJ3GE JPW V | T |
| W8 | 7030007150 | S.RESISTOR MCR50JZHJ JPW (000) [FR4000] only | T |
| W10 | 8900009270 | CABLE OPC-912 (P=1 N=22 L=70) | B |
| W11 | 8900009270 | CABLE OPC-912 (P=1 N=22 L=70) | B |
| W12 | 7030003860 | S.RESISTOR ERJ3GE JPW V | B |
| W13 | 7030003860 | S.RESISTOR ERJ3GE JPW V | T |
| W14 | 7030003860 | S.RESISTOR ERJ3GE JPW V | T |
| W15 | 7030003860 | S.RESISTOR ERJ3GE JPW V | T |
| W16 | 7030003860 | S.RESISTOR ERJ3GE JPW V | T |
| W17 | 7030003860 | S.RESISTOR ERJ3GE JPW V | B |
| W18 | 7030003860 | S.RESISTOR ERJ3GE JPW V | B |
| W19 | 7030003860 | S.RESISTOR ERJ3GE JPW V | B |
| W20 | 7030003860 | S.RESISTOR ERJ3GE JPW V | T |
| W21 | 7030003860 | S.RESISTOR ERJ3GE JPW V [FR4100] only | T |
| EP1 | 0910056271 | PCB B 6002A | B |
| EP2 | 6910014900 | BEAD FRC-50-12-6.5 | B |
| EP3 | 6910014890 | E.OTHER FRC-WC1 | B |
| EP4 | 6910015390 | BEAD FRC27-12-1.3 [FR4100] only | B |
| EP5 | 6910015390 | BEAD FRC27-12-1.3 [FR4100] only | B |
| EP6 | 6910014890 | E.OTHER FRC-WC1 [FR4100] only | B |
| EP7 | 6910014890 | E.OTHER FRC-WC1 [FR4100] only | B |

M.=Mounted side (T: Mounted on the Top side, B: Mounted on the Bottom side) S.=Surface mount

[RX UNIT]

| REF NO. | ORDER NO. | DESCRIPTION | M. |
|---------|------------|---|----------|
| IC1 | 1190000450 | S.IC GN2011-Q (TX) | T |
| IC2 | 1110003490 | S.IC TA31136FN (D,EL) | T |
| IC3 | 1180000420 | S.IC TA78L05F (TE12R) | T |
| IC4 | 1140005990 | S.IC MB15A02PFV1-G-BND-ER | B |
| IC5 | 1110002750 | S.IC TA75S01F (TE85R) | B |
| IC6 | 1180000420 | S.IC TA78L05F (TE12R) | B |
| IC7 | 1180000430 | S.IC TA78L06F (TE12L) | T |
| IC8 | 1110003780 | S.IC NJM2902V-TE1 | T |
| Q1 | 1530003820 | S.TRANSISTOR 2SC5337QS-T1 | T |
| Q3 | 1560000670 | S.FET 2SK1771 (TE85R) | T |
| Q6 | 1530001950 | S.TRANSISTOR 2SC2712-GR (TE85R) | B |
| Q7 | 1530001950 | S.TRANSISTOR 2SC2712-GR (TE85R) | B |
| Q8 | 1530002920 | S.TRANSISTOR 2SC4226-T1 R25 | B |
| Q9 | 1530003270 | S.TRANSISTOR 2SC4703-T1 SF | B |
| Q14 | 1530002920 | S.TRANSISTOR 2SC4226-T1 R25 | B |
| Q15 | 1520000270 | S.TRANSISTOR 2SB1182 TL Q | B |
| Q16 | 1530002060 | S.TRANSISTOR 2SC4081 T106 R | B |
| Q18 | 1560000540 | S.FET 2SK880-Y (TE85R) | B |
| Q19 | 1590000440 | S.TRANSISTOR DTA143ZUA T106 | T |
| Q20 | 1510000510 | S.TRANSISTOR 2SA1576A T106R | T |
| Q21 | 1530002060 | S.TRANSISTOR 2SC4081 T106 R | T |
| D1 | 1750000070 | S.DIODE 1SS226 (TE85R) | T |
| D3 | 1720000640 | S.VARICAP 1SV284 (TPH3) | T |
| D4 | 1720000640 | S.VARICAP 1SV284 (TPH3) | T |
| D6 | 1720000640 | S.VARICAP 1SV284 (TPH3) | T |
| D7 | 1720000640 | S.VARICAP 1SV284 (TPH3) [USA3], [GEN3], [GEN7] only | T |
| D15 | 1750000140 | S.DIODE 1SS268 (TE85R) | B |
| D16 | 1750000140 | S.DIODE 1SS268 (TE85R) | B |
| FI1 | 2030000201 | S.MONOLITH FL-349A (70.00 MHz) | T |
| FI5 | 2020001030 | CERAMIC CFWLA455KGF-A-B0 | T |
| FI6 | 2020001010 | CERAMIC CFWLA455KFFA-B0 [FRG1], [FRG3] Other | T |
| X1 | 6070000150 | S.DISCRIMINATOR CDBCB455KCAY24-R0 | T |
| X2 | 6050011470 | XTAL CR-729 (69.545 MHz) | T |
| X3 | 6050011480 | S.XTAL CR-732 (12.800 MHz) Other | T |
| | 6050011680 | S.XTAL CR-758 (12.8 MHz) [USA1], [USA3], [FR4100] | T |
| L1 | 6200007670 | S.COIL LQW2BHN10NJ01L | B |
| L2 | 6200010290 | S.COIL C6328A-22NG-A | T |
| L3 | 6200010290 | S.COIL C6328A-22NG-A | T |
| L4 | 6200007700 | S.COIL LQW2BHN22NJ01L | T |
| L6 | 6200009700 | S.COIL C6328A-28NG-A [L] | [L] |
| | 6200010290 | S.COIL C6328A-22NG-A [M], [H] | [M], [H] |
| L7 | 6200009700 | S.COIL C6328A-28NG-A [L] | [L] |
| | 6200010290 | S.COIL C6328A-22NG-A [M], [H] | [M], [H] |
| L8 | 6200010490 | S.COIL 458DB-1011=P3 | T |
| L9 | 6200010490 | S.COIL 458DB-1011=P3 | T |
| L10 | 6200010490 | S.COIL 458DB-1011=P3 | T |
| L11 | 6200008730 | S.COIL ELJND R10J | B |
| L14 | 6200005510 | S.COIL ELJND R27J-F | T |
| L20 | 6200010300 | S.COIL ELJND R68JF | T |
| L21 | 6200007230 | S.COIL LQW2BHN15NJ01L | B |
| L22 | 6200007710 | S.COIL LQW2BHN27NJ01L | B |
| L23 | 6200007680 | S.COIL LQW2BHN12NJ01L | B |
| L24 | 6200007680 | S.COIL LQW2BHN12NJ01L | B |
| L25 | 6200007230 | S.COIL LQW2BHN15NJ01L | B |
| L27 | 6200007230 | S.COIL LQW2BHN15NJ01L | B |
| L29 | 6200007230 | S.COIL LQW2BHN15NJ01L | B |
| L30 | 6200007230 | S.COIL LQW2BHN15NJ01L | B |
| L31 | 6200010300 | S.COIL ELJND R68JF | B |
| L32 | 6200007670 | S.COIL LQW2BHN10NJ01L | T |
| L33 | 6200005510 | S.COIL ELJND R27J-F [FR4100] | T |
| | 6200007340 | S.COIL ELJND R22J [FR4000] | T |
| L35 | 6200007350 | S.COIL ELJND R39J [FR4100] | T |
| | 6200007820 | S.COIL ELJND R33J [FR4000] | T |
| L39 | 6200007680 | S.COIL LQW2BHN12NJ01L | B |
| L40 | 6200010300 | S.COIL ELJND R68JF | T |
| L41 | 6200009940 | S.COIL BLM21PG221SN1 | T |
| L42 | 6910011690 | S.COIL ACB1608M-600-T | B |
| L43 | 6910011690 | S.COIL ACB1608M-600-T | T |
| L44 | 6910011690 | S.COIL ACB1608M-600-T | B |
| L45 | 6910011690 | S.COIL ACB1608M-600-T | T |
| L46 | 6910011690 | S.COIL ACB1608M-600-T | T |
| L47 | 6910011690 | S.COIL ACB1608M-600-T | T |
| L48 | 6910011690 | S.COIL ACB1608M-600-T | B |

[L]: LOW BAND, [M]: MIDDLE BAND, [H]: HIGH BAND

[RX UNIT]

| REF NO. | ORDER NO. | DESCRIPTION | M. |
|---------|------------|--|----|
| L49 | 6910011690 | S.COIL ACB1608M-600-T | T |
| L50 | 6910011690 | S.COIL ACB1608M-600-T | B |
| L51 | 6910011690 | S.COIL ACB1608M-600-T | T |
| L52 | 6200007680 | S.COIL LQW2BHN12NJ01L | B |
| L53 | 6200007680 | S.COIL LQW2BHN12NJ01L | B |
| L54 | 6200007300 | S.COIL ELJND 68NJF [L], [M] only | T |
| R1 | 7030003670 | S.RESISTOR ERJ3GEYJ 823 V (82 kΩ) | T |
| R2 | 7030003680 | S.RESISTOR ERJ3GEYJ 104 V (100 kΩ) | B |
| R3 | 7030003680 | S.RESISTOR ERJ3GEYJ 104 V (100 kΩ) | B |
| R4 | 7030003500 | S.RESISTOR ERJ3GEYJ 332 V (3.3 kΩ) | T |
| R5 | 7030003500 | S.RESISTOR ERJ3GEYJ 332 V (3.3 kΩ) | T |
| R6 | 7030003280 | S.RESISTOR ERJ3GEYJ 470 V (47 Ω) | T |
| R9 | 7030000140 | S.RESISTOR MCR10EZHJ 10 Ω (100) | B |
| R10 | 7030003680 | S.RESISTOR ERJ3GEYJ 104 V (100 kΩ) [USA3], [GEN3], [GEN7] only | B |
| R11 | 7030003680 | S.RESISTOR ERJ3GEYJ 104 V (100 kΩ) [USA3], [GEN3], [GEN7] only | B |
| R14 | 7030003320 | S.RESISTOR ERJ3GEYJ 101 V (100 Ω) | T |
| R15 | 7030003320 | S.RESISTOR ERJ3GEYJ 101 V (100 Ω) | T |
| R19 | 7030003200 | S.RESISTOR ERJ3GEYJ 100 V (10 Ω) | B |
| R25 | 7030003550 | S.RESISTOR ERJ3GEYJ 822 V (8.2 kΩ) | T |
| R26 | 7030003520 | S.RESISTOR ERJ3GEYJ 472 V (4.7 kΩ) [H] | B |
| R35 | 7030003560 | S.RESISTOR ERJ3GEYJ 103 V (10 kΩ) [L], [M] | B |
| R36 | 7030003420 | S.RESISTOR ERJ3GEYJ 472 V (4.7 kΩ) | T |
| R37 | 7030003330 | S.RESISTOR ERJ3GEYJ 681 V (680 Ω) | T |
| R39 | 7030003520 | S.RESISTOR ERJ3GEYJ 121 V (120 Ω) | T |
| R40 | 7030003560 | S.RESISTOR ERJ3GEYJ 472 V (4.7 kΩ) | B |
| R41 | 7030003560 | S.RESISTOR ERJ3GEYJ 103 V (10 kΩ) | B |
| R42 | 7030003560 | S.RESISTOR ERJ3GEYJ 103 V (10 kΩ) | B |
| R43 | 7030003560 | S.RESISTOR ERJ3GEYJ 103 V (10 kΩ) | B |
| R44 | 7030003520 | S.RESISTOR ERJ3GEYJ 472 V (4.7 kΩ) | B |
| R45 | 7030003560 | S.RESISTOR ERJ3GEYJ 103 V (10 kΩ) | B |
| R48 | 7030003280 | S.RESISTOR ERJ3GEYJ 470 V (47 Ω) | T |
| R49 | 7030003560 | S.RESISTOR ERJ3GEYJ 103 V (10 kΩ) | B |
| R50 | 7030003640 | S.RESISTOR ERJ3GEYJ 473 V (47 kΩ) | B |
| R52 | 7030003640 | S.RESISTOR ERJ3GEYJ 473 V (47 kΩ) | B |
| R53 | 7030003680 | S.RESISTOR ERJ3GEYJ 104 V (100 kΩ) | B |
| R54 | 7030003780 | S.RESISTOR ERJ3GEYJ 684 V (680 kΩ) | T |
| R55 | 7030003600 | S.RESISTOR ERJ3GEYJ 223 V (22 kΩ) | T |
| R56 | 7030003480 | S.RESISTOR ERJ3GEYJ 222 V (2.2 kΩ) | T |
| R57 | 7510001670 | S.THRMISTOR NTCG16 4BH 103KT | T |
| R58 | 7030003500 | S.RESISTOR ERJ3GEYJ 332 V (3.3 kΩ) | T |
| R60 | 7030003680 | S.RESISTOR ERJ3GEYJ 104 V (100 kΩ) | T |
| R61 | 7030003520 | S.RESISTOR ERJ3GEYJ 472 V (4.7 kΩ) | T |
| R62 | 7030003480 | S.RESISTOR ERJ3GEYJ 222 V (2.2 kΩ) | T |
| R63 | 7030003440 | S.RESISTOR ERJ3GEYJ 102 V (1 kΩ) | B |
| R64 | 7030003230 | S.RESISTOR ERJ3GEYJ 180 V (18 Ω) | B |
| R65 | 7030003230 | S.RESISTOR ERJ3GEYJ 180 V (18 Ω) | B |
| R66 | 7030003230 | S.RESISTOR ERJ3GEYJ 180 V (18 Ω) | B |
| R67 | 7030003280 | S.RESISTOR ERJ3GEYJ 470 V (47 Ω) | T |
| R68 | 7030003520 | S.RESISTOR ERJ3GEYJ 472 V (4.7 kΩ) | B |
| R69 | 7030003480 | S.RESISTOR ERJ3GEYJ 222 V (2.2 kΩ) | B |
| R70 | 7030003300 | S.RESISTOR ERJ3GEYJ 680 V (68 Ω) | B |
| R71 | 7030003320 | S.RESISTOR ERJ3GEYJ 101 V (100 Ω) | B |
| R72 | 7030000140 | S.RESISTOR MCR10EZHJ 10 Ω (100) | B |
| R73 | 7030003520 | S.RESISTOR ERJ3GEYJ 472 V (4.7 kΩ) | B |
| R74 | 7030003480 | S.RESISTOR ERJ3GEYJ 222 V (2.2 kΩ) | B |
| R75 | 7030003300 | S.RESISTOR ERJ3GEYJ 680 V (68 Ω) | B |
| R76 | 7030003340 | S.RESISTOR ERJ3GEYJ 151 V (150 Ω) | B |
| R77 | 7030006060 | S.RESISTOR ERJ12YJ100U (10 Ω) | B |
| R81 | 7030003320 | S.RESISTOR ERJ3GEYJ 101 V (100 Ω) [FR4000] | B |
| | 7030003350 | S.RESISTOR ERJ3GEYJ 181 V (180 Ω) [FR4100] | B |
| R84 | 7030003560 | S.RESISTOR ERJ3GEYJ 103 V (10 kΩ) | B |
| R85 | 7030003560 | S.RESISTOR ERJ3GEYJ 103 V (10 kΩ) | B |
| R86 | 7030003560 | S.RESISTOR ERJ3GEYJ 103 V (10 kΩ) | B |
| R87 | 7030003520 | S.RESISTOR ERJ3GEYJ 472 V (4.7 kΩ) | B |
| R88 | 7030003280 | S.RESISTOR ERJ3GEYJ 470 V (47 Ω) | B |
| R92 | 7030003200 | S.RESISTOR ERJ3GEYJ 100 V (10 Ω) | T |
| R93 | 7030003280 | S.RESISTOR ERJ3GEYJ 470 V (47 Ω) | T |
| R112 | 7030003440 | S.RESISTOR ERJ3GEYJ 102 V (1 kΩ) | B |
| R115 | 7030003320 | S.RESISTOR ERJ3GEYJ 101 V (100 Ω) | B |
| R116 | 7030003520 | S.RESISTOR ERJ3GEYJ 472 V (4.7 kΩ) | B |
| R117 | 7030003480 | S.RESISTOR ERJ3GEYJ 222 V (2.2 kΩ) | B |
| R118 | 7030003200 | S.RESISTOR ERJ3GEYJ 100 V (10 Ω) | B |
| R119 | 7030003300 | S.RESISTOR ERJ3GEYJ 680 V (68 Ω) | B |
| R120 | 7030003480 | S.RESISTOR ERJ3GEYJ 222 V (2.2 kΩ) | B |
| R121 | 7030003480 | S.RESISTOR ERJ3GEYJ 222 V (2.2 kΩ) | B |
| R122 | 7030003560 | S.RESISTOR ERJ3GEYJ 103 V (10 kΩ) | B |
| R123 | 7030003560 | S.RESISTOR ERJ3GEYJ 103 V (10 kΩ) | B |
| R126 | 7030003680 | S.RESISTOR ERJ3GEYJ 104 V (100 kΩ) | B |
| R127 | 7030003680 | S.RESISTOR ERJ3GEYJ 104 V (100 kΩ) | B |
| R134 | 7030003800 | S.RESISTOR ERJ3GEYJ 105 V (1 MΩ) | B |
| R135 | 7030003320 | S.RESISTOR ERJ3GEYJ 101 V (100 Ω) | T |

M.=Mounted side (T: Mounted on the Top side, B: Mounted on the Bottom side) S.=Surface mount

[RX UNIT]

| REF NO. | ORDER NO. | DESCRIPTION | M. |
|---------|------------|------------------------------------|------------|
| R136 | 7030003260 | S.RESISTOR ERJ3GEYJ 330 V (33 Ω) | B |
| | 7030003300 | S.RESISTOR ERJ3GEYJ 680 V (68 Ω) | B |
| R137 | 7030003320 | S.RESISTOR ERJ3GEYJ 101 V (100 Ω) | B |
| | 7030003350 | S.RESISTOR ERJ3GEYJ 181 V (180 Ω) | B |
| R138 | 7030003600 | S.RESISTOR ERJ3GEYJ 223 V (22 kΩ) | B |
| R139 | 7030003600 | S.RESISTOR ERJ3GEYJ 223 V (22 kΩ) | B |
| R140 | 7030003500 | S.RESISTOR ERJ3GEYJ 332 V (3.3 kΩ) | B |
| R148 | 7030003480 | S.RESISTOR ERJ3GEYJ 222 V (2.2 kΩ) | B |
| R149 | 7030003200 | S.RESISTOR ERJ3GEYJ 100 V (10 Ω) | T |
| R153 | 7030003470 | S.RESISTOR ERJ3GEYJ 182 V (1.8 kΩ) | Other T |
| | 7030003500 | S.RESISTOR ERJ3GEYJ 332 V (3.3 kΩ) | Other T |
| R155 | 7030003520 | S.RESISTOR ERJ3GEYJ 472 V (4.7 kΩ) | T |
| R156 | 7030003620 | S.RESISTOR ERJ3GEYJ 333 V (33 kΩ) | T |
| R157 | 7030003680 | S.RESISTOR ERJ3GEYJ 104 V (100 kΩ) | T |
| R158 | 7030003560 | S.RESISTOR ERJ3GEYJ 103 V (10 kΩ) | T |
| R159 | 7030003440 | S.RESISTOR ERJ3GEYJ 102 V (1 kΩ) | T |
| R160 | 7030003520 | S.RESISTOR ERJ3GEYJ 472 V (4.7 kΩ) | T |
| R163 | 7030003340 | S.RESISTOR ERJ3GEYJ 151 V (150 Ω) | B |
| R164 | 7030003270 | S.RESISTOR ERJ3GEYJ 390 V (39 Ω) | B |
| R165 | 7030003340 | S.RESISTOR ERJ3GEYJ 151 V (150 Ω) | B |
| R166 | 7030003280 | S.RESISTOR ERJ3GEYJ 470 V (47 Ω) | T |
| R167 | 7030003750 | S.RESISTOR ERJ3GEYJ 394 V (390 kΩ) | T |
| R168 | 7030003640 | S.RESISTOR ERJ3GEYJ 473 V (47 kΩ) | T |
| R169 | 7030003520 | S.RESISTOR ERJ3GEYJ 472 V (4.7 kΩ) | T |
| R170 | 7030003520 | S.RESISTOR ERJ3GEYJ 472 V (4.7 kΩ) | T |
| R171 | 7030003560 | S.RESISTOR ERJ3GEYJ 103 V (10 kΩ) | B |
| R172 | 7030003640 | S.RESISTOR ERJ3GEYJ 473 V (47 kΩ) | B |
| R173 | 7030003620 | S.RESISTOR ERJ3GEYJ 333 V (33 kΩ) | T |
| R174 | 7030003680 | S.RESISTOR ERJ3GEYJ 104 V (100 kΩ) | T |
| R175 | 7030003530 | S.RESISTOR ERJ3GEYJ 562 V (5.6 kΩ) | B |
| R176 | 7030003560 | S.RESISTOR ERJ3GEYJ 103 V (10 kΩ) | B |
| R177 | 7030003560 | S.RESISTOR ERJ3GEYJ 103 V (10 kΩ) | T |
| R178 | 7030003320 | S.RESISTOR ERJ3GEYJ 101 V (100 Ω) | B |
| R179 | 7030003790 | S.RESISTOR ERJ3GEYJ 824 V (820 kΩ) | B |
| R180 | 7030003770 | S.RESISTOR ERJ3GEYJ 564 V (560 kΩ) | B |
| R181 | 7540000250 | ABSORBER SA05C 401N | T |
| R182 | 7030003200 | S.RESISTOR ERJ3GEYJ 100 V (10 Ω) | B |
| R183 | 7030003530 | S.RESISTOR ERJ3GEYJ 562 V (5.6 kΩ) | T |
| R184 | 7030003530 | S.RESISTOR ERJ3GEYJ 562 V (5.6 kΩ) | T |
| R185 | 7030003530 | S.RESISTOR ERJ3GEYJ 562 V (5.6 kΩ) | T |
| R186 | 7030003200 | S.RESISTOR ERJ3GEYJ 100 V (10 Ω) | T |
| R187 | 7510001560 | S.THERMISTOR NTCG16 4BH 102KT | T |
| C1 | 4030006860 | S.CERAMIC C1608 JB 1H 102K-T | T |
| C2 | 4030009910 | S.CERAMIC C1608 CH 1H 040B-T | B |
| C4 | 4030006860 | S.CERAMIC C1608 JB 1H 102K-T | B |
| C5 | 4030009910 | S.CERAMIC C1608 CH 1H 040B-T | T |
| | 4030009920 | S.CERAMIC C1608 CH 1H 050B-T | T |
| | 4030011770 | S.CERAMIC C1608 CH 1H 060B-T | Other T |
| C6 | 4030009910 | S.CERAMIC C1608 CH 1H 040B-T | T |
| | 4030009920 | S.CERAMIC C1608 CH 1H 050B-T | T |
| | 4030011770 | S.CERAMIC C1608 CH 1H 060B-T | Other T |
| C7 | 4030009910 | S.CERAMIC C1608 CH 1H 040B-T | T |
| | 4030009920 | S.CERAMIC C1608 CH 1H 050B-T | T |
| | 4030011770 | S.CERAMIC C1608 CH 1H 060B-T | Other T |
| C8 | 4030009910 | S.CERAMIC C1608 CH 1H 040B-T | T |
| | 4030009920 | S.CERAMIC C1608 CH 1H 050B-T | T |
| | 4030011770 | S.CERAMIC C1608 CH 1H 060B-T | Other T |
| C10 | 4610001590 | S.TRIMMER TZC3R100A110R00 | T |
| C11 | 4610001590 | S.TRIMMER TZC3R100A110R00 | Other T |
| | 4610001920 | S.TRIMMER TZC3Z060A110R00 | T |
| C12 | 4610001590 | S.TRIMMER TZC3R100A110R00 | T |
| | 4610001970 | S.TRIMMER TZC3P200A110R00 | Other T |
| C13 | 4030006860 | S.CERAMIC C1608 JB 1H 102K-T | T |
| C14 | 4030007000 | S.CERAMIC C1608 CH 1H 090D-T | T |
| C18 | 4030006860 | S.CERAMIC C1608 JB 1H 102K-T | T |
| C19 | 4030006860 | S.CERAMIC C1608 JB 1H 102K-T | B |
| C20 | 4030007100 | S.CERAMIC C1608 CH 1H 560J-T | T |
| C21 | 4030009910 | S.CERAMIC C1608 CH 1H 040B-T | T |
| C22 | 4030009910 | S.CERAMIC C1608 CH 1H 040B-T | T |
| C23 | 4030009920 | S.CERAMIC C1608 CH 1H 050B-T | [H] only T |

[L]: LOW BAND, [M]: MIDDLE BAND, [H]: HIGH BAND

[RX UNIT]

| REF NO. | ORDER NO. | DESCRIPTION | M. |
|---------|------------|------------------------------|------------|
| C24 | 4030006990 | S.CERAMIC C1608 CH 1H 080D-T | T |
| | 4030009910 | S.CERAMIC C1608 CH 1H 040B-T | Other T |
| C26 | 4610001590 | S.TRIMMER TZC3R100A110R00 | T |
| C27 | 4610001590 | S.TRIMMER TZC3R100A110R00 | T |
| C28 | 4610001590 | S.TRIMMER TZC3R100A110R00 | T |
| | 4610001970 | S.TRIMMER TZC3P200A110R00 | Other T |
| C29 | 4030006860 | S.CERAMIC C1608 JB 1H 102K-T | B |
| C30 | 4030006990 | S.CERAMIC C1608 CH 1H 080D-T | T |
| | 4030009910 | S.CERAMIC C1608 CH 1H 040B-T | Other T |
| C31 | 4030006860 | S.CERAMIC C1608 JB 1H 102K-T | B |
| C32 | 4030006860 | S.CERAMIC C1608 JB 1H 102K-T | B |
| C33 | 4030006860 | S.CERAMIC C1608 JB 1H 102K-T | B |
| C34 | 4030006860 | S.CERAMIC C1608 JB 1H 102K-T | T |
| C35 | 4030006860 | S.CERAMIC C1608 JB 1H 102K-T | T |
| C39 | 4030006860 | S.CERAMIC C1608 JB 1H 102K-T | B |
| C40 | 4030006860 | S.CERAMIC C1608 JB 1H 102K-T | B |
| C41 | 4030006860 | S.CERAMIC C1608 JB 1H 102K-T | T |
| C42 | 4030006860 | S.CERAMIC C1608 JB 1H 102K-T | B |
| C43 | 4030006860 | S.CERAMIC C1608 JB 1H 102K-T | B |
| C44 | 4030006900 | S.CERAMIC C1608 JB 1H 103K-T | B |
| C46 | 4030007040 | S.CERAMIC C1608 CH 1H 180J-T | T |
| C47 | 4030007030 | S.CERAMIC C1608 CH 1H 150J-T | [FR4100] T |
| | 4030007040 | S.CERAMIC C1608 CH 1H 180J-T | [FR4000] T |
| C48 | 4030006860 | S.CERAMIC C1608 JB 1H 102K-T | T |
| C50 | 4510004630 | S.ELECTROLYTIC ECEV1CA100SR | T |
| C51 | 4030006860 | S.CERAMIC C1608 JB 1H 102K-T | T |
| C52 | 4030006860 | S.CERAMIC C1608 JB 1H 102K-T | T |
| C53 | 4510004630 | S.ELECTROLYTIC ECEV1CA100SR | T |
| C55 | 4030007010 | S.CERAMIC C1608 CH 1H 100D-T | T |
| C56 | 4030006860 | S.CERAMIC C1608 JB 1H 102K-T | T |
| C57 | 4510004640 | S.ELECTROLYTIC ECEV1CA470SP | T |
| C58 | 4030006860 | S.CERAMIC C1608 JB 1H 102K-T | T |
| C59 | 4030006860 | S.CERAMIC C1608 JB 1H 102K-T | T |
| C60 | 4510004640 | S.ELECTROLYTIC ECEV1CA470SP | T |
| C62 | 4030007120 | S.CERAMIC C1608 CH 1H 820J-T | T |
| C64 | 4030006860 | S.CERAMIC C1608 JB 1H 102K-T | B |
| C65 | 4030006860 | S.CERAMIC C1608 JB 1H 102K-T | T |
| C67 | 4510004630 | S.ELECTROLYTIC ECEV1CA100SR | T |
| C68 | 4550000460 | S.TANTALUM TEESVA 1C 105M8L | B |
| C69 | 4030006860 | S.CERAMIC C1608 JB 1H 102K-T | B |
| C70 | 4030011600 | S.CERAMIC C1608 JB 1E 104K-T | B |
| C71 | 4030007160 | S.CERAMIC C1608 CH 1H 181J-T | T |
| C72 | 4030007160 | S.CERAMIC C1608 CH 1H 181J-T | T |
| C73 | 4030011600 | S.CERAMIC C1608 JB 1E 104K-T | B |
| C74 | 4030011600 | S.CERAMIC C1608 JB 1E 104K-T | B |
| C75 | 4030011600 | S.CERAMIC C1608 JB 1E 104K-T | B |
| C76 | 4030011600 | S.CERAMIC C1608 JB 1E 104K-T | B |
| C77 | 4030011600 | S.CERAMIC C1608 JB 1E 104K-T | B |
| C78 | 4030011600 | S.CERAMIC C1608 JB 1E 104K-T | B |
| C79 | 4030007010 | S.CERAMIC C1608 CH 1H 100D-T | T |
| C80 | 4030007010 | S.CERAMIC C1608 CH 1H 100D-T | T |
| C81 | 4030007010 | S.CERAMIC C1608 CH 1H 100D-T | T |
| C82 | 4030006860 | S.CERAMIC C1608 JB 1H 102K-T | T |
| C83 | 4510004630 | S.ELECTROLYTIC ECEV1CA100SR | T |
| C84 | 4030007130 | S.CERAMIC C1608 CH 1H 101J-T | B |
| C85 | 4030006860 | S.CERAMIC C1608 JB 1H 102K-T | T |
| C86 | 4030006860 | S.CERAMIC C1608 JB 1H 102K-T | T |
| C87 | 4510004630 | S.ELECTROLYTIC ECEV1CA100SR | T |
| C102 | 4510004640 | S.ELECTROLYTIC ECEV1CA470SP | T |
| C103 | 4030006860 | S.CERAMIC C1608 JB 1H 102K-T | T |
| C104 | 4030007130 | S.CERAMIC C1608 CH 1H 101J-T | B |
| C105 | 4030006860 | S.CERAMIC C1608 JB 1H 102K-T | B |
| C106 | 4030006860 | S.CERAMIC C1608 JB 1H 102K-T | B |
| C108 | 4030006860 | S.CERAMIC C1608 JB 1H 102K-T | B |
| C109 | 4030006860 | S.CERAMIC C1608 JB 1H 102K-T | B |
| C110 | 4030006860 | S.CERAMIC C1608 JB 1H 102K-T | B |
| C112 | 4030007050 | S.CERAMIC C1608 CH 1H 220J-T | B |
| C113 | 4030007050 | S.CERAMIC C1608 CH 1H 220J-T | B |
| C114 | 4030007020 | S.CERAMIC C1608 CH 1H 120J-T | B |
| C115 | 4030006860 | S.CERAMIC C1608 JB 1H 102K-T | B |
| C116 | 4030006860 | S.CERAMIC C1608 JB 1H 102K-T | B |
| C117 | 4030006860 | S.CERAMIC C1608 JB 1H 102K-T | B |
| C118 | 4030006860 | S.CERAMIC C1608 JB 1H 102K-T | B |
| C119 | 4030006860 | S.CERAMIC C1608 JB 1H 102K-T | B |
| C120 | 4030006860 | S.CERAMIC C1608 JB 1H 102K-T | B |
| C121 | 4030006860 | S.CERAMIC C1608 JB 1H 102K-T | B |
| C122 | 4030006860 | S.CERAMIC C1608 JB 1H 102K-T | B |
| C123 | 4030006980 | S.CERAMIC C1608 CH 1H 070D-T | B |
| C124 | 4030009910 | S.CERAMIC C1608 CH 1H 040B-T | B |
| C126 | 4030011770 | S.CERAMIC C1608 CH 1H 060B-T | B |
| C131 | 4030006900 | S.CERAMIC C1608 JB 1H 103K-T | B |
| C132 | 4030007070 | S.CERAMIC C1608 CH 1H 330J-T | B |
| C133 | 4030006860 | S.CERAMIC C1608 JB 1H 102K-T | B |
| C134 | 4030007130 | S.CERAMIC C1608 CH 1H 101J-T | B |
| C135 | 4030006980 | S.CERAMIC C1608 CH 1H 070D-T | B |

M.=Mounted side (T: Mounted on the Top side, B: Mounted on the Bottom side) S.=Surface mount

[RX UNIT]

| REF NO. | ORDER NO. | DESCRIPTION | M. |
|---------|------------|---|----|
| C137 | 4030006860 | S.CERAMIC C1608 JB 1H 102K-T | B |
| C138 | 4030006860 | S.CERAMIC C1608 JB 1H 102K-T | B |
| C140 | 4510004640 | S.ELECTROLYTIC ECEV1CA470SP | T |
| C141 | 4030006860 | S.CERAMIC C1608 JB 1H 102K-T | T |
| C142 | 4030006860 | S.CERAMIC C1608 JB 1H 102K-T | B |
| C143 | 4030006860 | S.CERAMIC C1608 JB 1H 102K-T | T |
| C146 | 4510004630 | S.ELECTROLYTIC ECEV1CA100SR | T |
| C151 | 4030007010 | S.CERAMIC C1608 CH 1H 100D-T | B |
| C152 | 4030006850 | S.CERAMIC C1608 JB 1H 471K-T | T |
| C153 | 4030009920 | S.CERAMIC C1608 CH 1H 050B-T | B |
| C158 | 4030006860 | S.CERAMIC C1608 JB 1H 102K-T | B |
| C159 | 4030006860 | S.CERAMIC C1608 JB 1H 102K-T | T |
| C165 | 4030006900 | S.CERAMIC C1608 JB 1H 103K-T | B |
| C166 | 4030008880 | S.CERAMIC C1608 JB 1H 223K-T | B |
| C167 | 4550002980 | S.TANTALUM TEESVA 1C 225M8L | T |
| C173 | 4550006250 | S.TANTALUM TEESVA 1A 106M8L | T |
| C175 | 4550006350 | S.TANTALUM TEESVB2 1A 226M8L | B |
| C177 | 4030011600 | S.CERAMIC C1608 JB 1E 104K-T | T |
| C180 | 4030006900 | S.CERAMIC C1608 JB 1H 103K-T | T |
| C181 | 4030011600 | S.CERAMIC C1608 JB 1E 104K-T | T |
| C182 | 4030011770 | S.CERAMIC C1608 CH 1H 060B-T | T |
| C183 | 4030007130 | S.CERAMIC C1608 CH 1H 101J-T | T |
| C184 | 4030007020 | S.CERAMIC C1608 CH 1H 120J-T | B |
| C186 | 4030007130 | S.CERAMIC C1608 CH 1H 101J-T | B |
| C187 | 4030007130 | S.CERAMIC C1608 CH 1H 101J-T | B |
| C188 | 4030007130 | S.CERAMIC C1608 CH 1H 101J-T | B |
| C191 | 4030007010 | S.CERAMIC C1608 CH 1H 100D-T [FR4000] | T |
| | 4030007030 | S.CERAMIC C1608 CH 1H 150J-T [FR4100] | T |
| C192 | 4030009920 | S.CERAMIC C1608 CH 1H 050B-T | T |
| C193 | 4030011600 | S.CERAMIC C1608 JB 1E 104K-T | T |
| C194 | 4030006860 | S.CERAMIC C1608 JB 1H 102K-T | T |
| C195 | 4030006860 | S.CERAMIC C1608 JB 1H 102K-T | B |
| C196 | 4550000530 | S.TANTALUM TEESVA 1V 104M8L | B |
| C199 | 4030006860 | S.CERAMIC C1608 JB 1H 102K-T | T |
| C200 | 4030006860 | S.CERAMIC C1608 JB 1H 102K-T | B |
| C201 | 4550006250 | S.TANTALUM TEESVA 1A 106M8L | B |
| C202 | 4030006860 | S.CERAMIC C1608 JB 1H 102K-T | T |
| C203 | 4030011600 | S.CERAMIC C1608 JB 1E 104K-T | T |
| C204 | 4550006250 | S.TANTALUM TEESVA 1A 106M8L | B |
| C205 | 4030006980 | S.CERAMIC C1608 CH 1H 070D-T [GEN2], [GEN6], [EUR3], [FRG3] | T |
| | 4030009910 | S.CERAMIC C1608 CH 1H 040B-T [USA3], [GEN3], [GEN7] | T |
| | 4030011770 | S.CERAMIC C1608 CH 1H 060B-T Other | T |
| C206 | 4030006980 | S.CERAMIC C1608 CH 1H 070D-T [GEN2], [GEN6], [EUR3], [FRG3] | T |
| | 4030009910 | S.CERAMIC C1608 CH 1H 040B-T [USA3], [GEN3], [GEN7] | T |
| C207 | 4030011770 | S.CERAMIC C1608 CH 1H 060B-T Other | T |
| | 4030007030 | S.CERAMIC C1608 CH 1H 150J-T Other | T |
| | 4030007040 | S.CERAMIC C1608 CH 1H 180J-T [GEN2], [GEN6] | T |
| | 4030009910 | S.CERAMIC C1608 CH 1H 040B-T [USA3], [GEN3], [GEN7] | T |
| | 4030009920 | S.CERAMIC C1608 CH 1H 050B-T [EUR3], [FRG3] | T |
| C208 | 4030007030 | S.CERAMIC C1608 CH 1H 150J-T Other | T |
| | 4030007040 | S.CERAMIC C1608 CH 1H 180J-T [GEN2], [GEN6] | T |
| | 4030009910 | S.CERAMIC C1608 CH 1H 040B-T [USA3], [GEN3], [GEN7] | T |
| | 4030009920 | S.CERAMIC C1608 CH 1H 050B-T [EUR3], [FRG3] | T |
| C210 | 4030006980 | S.CERAMIC C1608 CH 1H 070D-T [H] | T |
| | 4030007000 | S.CERAMIC C1608 CH 1H 090D-T [L], [M] | T |
| C211 | 4030006850 | S.CERAMIC C1608 JB 1H 471K-T | T |
| C212 | 4030007170 | S.CERAMIC C1608 CH 1H 221J-T | T |
| C213 | 4030007130 | S.CERAMIC C1608 CH 1H 101J-T | T |
| C214 | 4030007020 | S.CERAMIC C1608 CH 1H 120J-T | B |
| C215 | 4030007020 | S.CERAMIC C1608 CH 1H 120J-T | B |
| C216 | 4030007020 | S.CERAMIC C1608 CH 1H 120J-T | B |
| C217 | 4030007020 | S.CERAMIC C1608 CH 1H 120J-T | B |
| C220 | 4030008650 | S.CERAMIC C1608 JB 1H 332K-T | T |
| C221 | 4030006980 | S.CERAMIC C1608 CH 1H 070D-T [GEN2], [GEN6], [EUR3], [FRG3] | T |
| C222 | 4030006980 | S.CERAMIC C1608 CH 1H 070D-T [GEN2], [GEN6], [EUR3], [FRG3] | T |
| C223 | 4030007020 | S.CERAMIC C1608 CH 1H 120J-T [GEN2], [GEN6] | T |
| | 4030007040 | S.CERAMIC C1608 CH 1H 180J-T [L] | T |
| | 4030009920 | S.CERAMIC C1608 CH 1H 050B-T [EUR3], [FRG3] | T |
| C224 | 4030007020 | S.CERAMIC C1608 CH 1H 120J-T [GEN2], [GEN6] | T |
| | 4030007040 | S.CERAMIC C1608 CH 1H 180J-T [L] | T |
| | 4030009920 | S.CERAMIC C1608 CH 1H 050B-T [EUR3], [FRG3] | T |

[L]: LOW BAND, [M]: MIDDLE BAND, [H]: HIGH BAND

[RX UNIT]

| REF NO. | ORDER NO. | DESCRIPTION | M. |
|---------|------------|--|----|
| C225 | 4030006860 | S.CERAMIC C1608 JB 1H 102K-T [EUR3], [FRG3] | T |
| | 4030009530 | S.CERAMIC C1608 CH 1H 030B-T [L], [M] | T |
| C227 | 4030009920 | S.CERAMIC C1608 CH 1H 050B-T [GEN2], [GEN6], [EUR3], [FRG3] only | T |
| C228 | 4030006980 | S.CERAMIC C1608 CH 1H 070D-T [GEN2], [GEN6] only | T |
| C230 | 4030007170 | S.CERAMIC C1608 CH 1H 221J-T [EUR1], [FRG1] only | T |
| C231 | 4030007170 | S.CERAMIC C1608 CH 1H 221J-T [L] only | T |
| C232 | 4030007170 | S.CERAMIC C1608 CH 1H 221J-T [EUR1], [FRG1] only | T |
| J1 | 6510018450 | CONNECTOR TMP-S01X-B1 | T |
| J2 | 6510022590 | S.CONNECTOR 22FMM-BMTRR-A-TBT | T |
| J5 | 6510018450 | CONNECTOR TMP-S01X-B1 | T |
| W1 | 7030003860 | S.RESISTOR ERJ3GE JPW V | B |
| W2 | 7030003860 | S.RESISTOR ERJ3GE JPW V | B |
| W3 | 7030003860 | S.RESISTOR ERJ3GE JPW V | B |
| W4 | 7030003860 | S.RESISTOR ERJ3GE JPW V | B |
| W6 | 7030003860 | S.RESISTOR ERJ3GE JPW V | B |
| W7 | 7030003860 | S.RESISTOR ERJ3GE JPW V | T |
| W8 | 7030003860 | S.RESISTOR ERJ3GE JPW V | T |
| W12 | 7030003860 | S.RESISTOR ERJ3GE JPW V | T |
| W13 | 7030003860 | S.RESISTOR ERJ3GE JPW V | T |
| W14 | 7030003860 | S.RESISTOR ERJ3GE JPW V | T |
| W15 | 7030003860 | S.RESISTOR ERJ3GE JPW V [M], [H] only | T |
| W16 | 7030003860 | S.RESISTOR ERJ3GE JPW V [M], [H] only | T |
| W17 | 7030003860 | S.RESISTOR ERJ3GE JPW V [M], [H] only | T |
| W18 | 7030003860 | S.RESISTOR ERJ3GE JPW V [M], [H] only | T |
| W19 | 7030003860 | S.RESISTOR ERJ3GE JPW V [M], [H] only | B |
| W20 | 7030003860 | S.RESISTOR ERJ3GE JPW V [M], [H] only | B |
| W21 | 7030003860 | S.RESISTOR ERJ3GE JPW V [M], [H] only | B |
| W22 | 7030003860 | S.RESISTOR ERJ3GE JPW V [M], [H] only | B |
| W23 | 7030003860 | S.RESISTOR ERJ3GE JPW V [L], [USA3], [GEN3], [GEN7] | T |
| W24 | 7030003860 | S.RESISTOR ERJ3GE JPW V [L], [USA3], [GEN3], [GEN7] | T |
| W25 | 7030003860 | S.RESISTOR ERJ3GE JPW V [L], [USA3], [GEN3], [GEN7] | T |
| W26 | 7030003860 | S.RESISTOR ERJ3GE JPW V [L], [USA3], [GEN3], [GEN7] | T |
| W27 | 7030003860 | S.RESISTOR ERJ3GE JPW V [L], [USA3], [GEN3], [GEN7] | T |
| W28 | 7030003860 | S.RESISTOR ERJ3GE JPW V [L], [USA3], [GEN3], [GEN7] | B |
| W29 | 7030003860 | S.RESISTOR ERJ3GE JPW V [L], [USA3], [GEN3], [GEN7] | B |
| W30 | 7030003860 | S.RESISTOR ERJ3GE JPW V [L], [USA3], [GEN3], [GEN7] | B |
| W31 | 7030003860 | S.RESISTOR ERJ3GE JPW V [USA3], [GEN3], [GEN7] | B |
| W32 | 7030003860 | S.RESISTOR ERJ3GE JPW V [USA3], [GEN3], [GEN7] | B |
| EP1 | 0910057001 | PCB B 5657K | |

M.=Mounted side (T: Mounted on the Top side, B: Mounted on the Bottom side) S.=Surface mount

[RVCO UNIT]

| REF NO. | ORDER NO. | DESCRIPTION | M. |
|---------|------------|--|----------|
| Q1 | 1560001280 | S.FET 2SK508 K53 T1B | T |
| Q2 | 1530002920 | S.TRANSISTOR 2SC4226-T1 R25 | T |
| D1 | 1720000640 | S.VARICAP 1SV284 (TPH3) | T |
| D2 | 1720000640 | S.VARICAP 1SV284 (TPH3) | T |
| D3 | 1720000640 | S.VARICAP 1SV284 (TPH3) | T |
| D4 | 1720000640 | S.VARICAP 1SV284 (TPH3) | T |
| L1 | 6200007120 | S.COIL ELJND 1R0J | T |
| L2 | 6200008730 | S.COIL ELJND R10J | T |
| L3 | 6200009700 | S.COIL C6328A-28NG-A | [L] |
| | 6200010290 | S.COIL C6328A-22NG-A | [M], [H] |
| L4 | 6200008730 | S.COIL ELJND R10J | T |
| L5 | 6200007210 | S.COIL ELJND 10NKF | T |
| L6 | 6200005700 | S.COIL ELJRE 22NG-F | T |
| L9 | 6200005740 | S.COIL ELJRE 47NG-F | T |
| R1 | 7030003280 | S.RESISTOR ERJ3GEYJ 470 V (47 Ω) | T |
| R2 | 7030003400 | S.RESISTOR ERJ3GEYJ 471 V (470 Ω) | T |
| R3 | 7030003320 | S.RESISTOR ERJ3GEYJ 101 V (100 Ω) | T |
| R4 | 7030003550 | S.RESISTOR ERJ3GEYJ 822 V (8.2 kΩ) | T |
| R5 | 7030003350 | S.RESISTOR ERJ3GEYJ 181 V (180 Ω) | T |
| R6 | 7030003500 | S.RESISTOR ERJ3GEYJ 332 V (3.3 kΩ) | T |
| R13 | 7030003280 | S.RESISTOR ERJ3GEYJ 470 V (47 Ω) | T |
| C1 | 4030006860 | S.CERAMIC C1608 JB 1H 102K-T | T |
| C2 | 4030007130 | S.CERAMIC C1608 CH 1H 101J-T | T |
| C3 | 4550006770 | S.TANTALUM TEESVD2 1C 476M-12R | T |
| C4 | 4030006860 | S.CERAMIC C1608 JB 1H 102K-T | T |
| C5 | 4030006860 | S.CERAMIC C1608 JB 1H 102K-T | T |
| C7 | 4030006980 | S.CERAMIC C1608 CH 1H 070D-T | T |
| C8 | 4030009920 | S.CERAMIC C1608 CH 1H 050B-T | T |
| C9 | 4030007010 | S.CERAMIC C1608 CH 1H 100D-T | T |
| C10 | 4030009500 | S.CERAMIC C1608 CH 1H 0R5B-T | T |
| C11 | 4030009920 | S.CERAMIC C1608 CH 1H 050B-T | T |
| C13 | 4030007130 | S.CERAMIC C1608 CH 1H 101J-T | T |
| C14 | 4030007130 | S.CERAMIC C1608 CH 1H 101J-T | T |
| C16 | 4030006860 | S.CERAMIC C1608 JB 1H 102K-T | T |
| C17 | 4610001920 | S.TRIMMER TZC3Z060A110R00 | T |
| C22 | 4030009510 | S.CERAMIC C1608 CH 1H 010B-T | [H] |
| | 4030009520 | S.CERAMIC C1608 CH 1H 020B-T | [L], [M] |
| C27 | 4030007130 | S.CERAMIC C1608 CH 1H 101J-T | T |
| C28 | 4030009520 | S.CERAMIC C1608 CH 1H 020B-T [L], [H] only | T |
| J1 | 6510022900 | CONNECTOR IMSA9201B-1-06Z198-T | T |
| EP1 | 0910056144 | PCB B 5658D | |

[TX UNIT]

| REF NO. | ORDER NO. | DESCRIPTION | M. |
|---------|------------|--|-----------------|
| IC1 | 1180000420 | S.IC TA78L05F (TE12R) | B |
| IC2 | 1140005990 | S.IC MB15A02PFV1-G-BND-ER | B |
| IC3 | 1110002400 | S.IC NJM2107F-TE1 | B |
| IC4 | 1180000430 | S.IC TA78L06F (TE12L) | B |
| IC5 | 1190001350 | S.IC M62364FP 600D | B |
| IC6 | 1110002400 | S.IC NJM2107F-TE1 | T |
| Q1 | 1530000371 | S.TRANSISTOR 2SC3356-T1B R25 | T |
| Q2 | 1530003270 | S.TRANSISTOR 2SC4703-T1 SF | T |
| Q3 | 1530002920 | S.TRANSISTOR 2SC4226-T1 R25 | B |
| Q5 | 1530001950 | S.TRANSISTOR 2SC2712-GR (TE85R) | T |
| Q6 | 1530002050 | S.TRANSISTOR 2SC3661-TB | B |
| Q7 | 1510000510 | S.TRANSISTOR 2SA1576A T106R | B |
| Q9 | 1530001950 | S.TRANSISTOR 2SC2712-GR (TE85R) | B |
| Q10 | 1560000540 | S.FET 2SK880-Y (TE85R) | T |
| D1 | 1790001620 | S.DIODE 1SV308 (TPL3) | T |
| D3 | 1710000840 | S.DIODE 1SR154-400 TE25 | T |
| D4 | 1790001250 | S.DIODE MA2S111-(TX) | B |
| X1 | 6050011480 | S.XTAL CR-732 (12.800 MHz) | Other T |
| | 6050011680 | S.XTAL CR-758 (12.8 MHz) [USA1], [USA3], [FR4100] | T |
| L1 | 6200007690 | S.COIL LQW2BHN18NJ01L | B |
| L2 | 6200007710 | S.COIL LQW2BHN27NJ01L | T |
| L3 | 6200007230 | S.COIL LQW2BHN15NJ01L | T |
| L8 | 6200008730 | S.COIL ELJND R10J | T |
| L9 | 6200008730 | S.COIL ELJND R10J | T |
| L10 | 6200007690 | S.COIL LQW2BHN18NJ01L | B |
| L11 | 6200007710 | S.COIL LQW2BHN27NJ01L | B |
| L14 | 6200007670 | S.COIL LQW2BHN10NJ01L | T |
| L15 | 6200007700 | S.COIL LQW2BHN22NJ01L | T |
| L16 | 6200007700 | S.COIL LQW2BHN22NJ01L | T |
| L17 | 6910011690 | S.COIL ACB1608M-600-T | B |
| L18 | 6910011690 | S.COIL ACB1608M-600-T | B |
| L19 | 6910011690 | S.COIL ACB1608M-600-T | B |
| L20 | 6910011690 | S.COIL ACB1608M-600-T | B |
| L21 | 6910011690 | S.COIL ACB1608M-600-T | B |
| L22 | 6910011690 | S.COIL ACB1608M-600-T | B |
| L23 | 6910011690 | S.COIL ACB1608M-600-T | B |
| L24 | 6910011690 | S.COIL ACB1608M-600-T | B |
| L25 | 6910011690 | S.COIL ACB1608M-600-T | B |
| L26 | 6910011690 | S.COIL ACB1608M-600-T | B |
| L27 | 6200009940 | S.COIL BLM21PG221SN1 | B |
| L28 | 6200009940 | S.COIL BLM21PG221SN1 | T |
| L29 | 6910011690 | S.COIL ACB1608M-600-T | T |
| L30 | 6910011690 | S.COIL ACB1608M-600-T | B |
| R1 | 7030003230 | S.RESISTOR ERJ3GEYJ 180 V (18 Ω) | B |
| R2 | 7030003230 | S.RESISTOR ERJ3GEYJ 180 V (18 Ω) | B |
| R3 | 7030003230 | S.RESISTOR ERJ3GEYJ 180 V (18 Ω) | B |
| R4 | 7030003520 | S.RESISTOR ERJ3GEYJ 472 V (4.7 kΩ) | T |
| R5 | 7030003480 | S.RESISTOR ERJ3GEYJ 222 V (2.2 kΩ) | T |
| R6 | 7030003300 | S.RESISTOR ERJ3GEYJ 680 V (68 Ω) | T |
| R7 | 7030003360 | S.RESISTOR ERJ3GEYJ 221 V (220 Ω) | T |
| R8 | 7030003200 | S.RESISTOR ERJ3GEYJ 100 V (10 Ω) | [L], [M] only T |
| R9 | 7030003440 | S.RESISTOR ERJ3GEYJ 102 V (1 kΩ) | T |
| R10 | 7030003360 | S.RESISTOR ERJ3GEYJ 221 V (220 Ω) | T |
| R11 | 7030004040 | S.RESISTOR ERJ3GEYJ 4R7 V (4.7 Ω) | T |
| R16 | 7030003440 | S.RESISTOR ERJ3GEYJ 102 V (1 kΩ) | T |
| R17 | 7030003330 | S.RESISTOR ERJ3GEYJ 121 V (120 Ω) | T |
| R18 | 7030003560 | S.RESISTOR ERJ3GEYJ 103 V (10 kΩ) | T |
| R19 | 7030003520 | S.RESISTOR ERJ3GEYJ 472 V (4.7 kΩ) | T |
| R20 | 7030003440 | S.RESISTOR ERJ3GEYJ 102 V (1 kΩ) | T |
| R21 | 7030003200 | S.RESISTOR ERJ3GEYJ 100 V (10 Ω) | B |
| R23 | 7030003200 | S.RESISTOR ERJ3GEYJ 100 V (10 Ω) | T |
| R24 | 7030003200 | S.RESISTOR ERJ3GEYJ 100 V (10 Ω) | T |
| R25 | 7030003200 | S.RESISTOR ERJ3GEYJ 100 V (10 Ω) | T |
| R26 | 7030003200 | S.RESISTOR ERJ3GEYJ 100 V (10 Ω) | T |
| R27 | 7030003200 | S.RESISTOR ERJ3GEYJ 100 V (10 Ω) | T |
| R29 | 7030003200 | S.RESISTOR ERJ3GEYJ 100 V (10 Ω) | T |
| R31 | 7030003470 | S.RESISTOR ERJ3GEYJ 182 V (1.8 kΩ) | B |
| R33 | 7030003460 | S.RESISTOR ERJ3GEYJ 152 V (1.5 kΩ) | B |
| R36 | 7030003560 | S.RESISTOR ERJ3GEYJ 103 V (10 kΩ) | B |
| R37 | 7030003560 | S.RESISTOR ERJ3GEYJ 103 V (10 kΩ) | B |
| R38 | 7030003680 | S.RESISTOR ERJ3GEYJ 104 V (100 kΩ) | B |
| R39 | 7030003620 | S.RESISTOR ERJ3GEYJ 333 V (33 kΩ) | B |
| R41 | 7030003440 | S.RESISTOR ERJ3GEYJ 102 V (1 kΩ) | B |
| R42 | 7030003560 | S.RESISTOR ERJ3GEYJ 103 V (10 kΩ) | B |
| R45 | 7030003520 | S.RESISTOR ERJ3GEYJ 472 V (4.7 kΩ) | T |
| R50 | 7030003480 | S.RESISTOR ERJ3GEYJ 222 V (2.2 kΩ) | B |

[L]: LOW BAND, [M]: MIDDLE BAND, [H]: HIGH BAND

M.=Mounted side (T: Mounted on the Top side, B: Mounted on the Bottom side)
S.=Surface mount

[TX UNIT]

| REF NO. | ORDER NO. | DESCRIPTION | M. |
|---------|------------|--|----|
| R51 | 7030003520 | S.RESISTOR ERJ3GEYJ 472 V (4.7 kΩ) | B |
| R52 | 7030003480 | S.RESISTOR ERJ3GEYJ 222 V (2.2 kΩ) | B |
| R53 | 7030003300 | S.RESISTOR ERJ3GEYJ 680 V (68 Ω) | B |
| R54 | 7030003280 | S.RESISTOR ERJ3GEYJ 470 V (47 Ω) | B |
| R55 | 7030003200 | S.RESISTOR ERJ3GEYJ 100 V (10 Ω) | B |
| R56 | 7030003240 | S.RESISTOR ERJ3GEYJ 220 V (22 Ω) | B |
| R57 | 7030003200 | S.RESISTOR ERJ3GEYJ 100 V (10 Ω) | T |
| R61 | 7030003200 | S.RESISTOR ERJ3GEYJ 100 V (10 Ω) | B |
| R64 | 7030003640 | S.RESISTOR ERJ3GEYJ 473 V (47 kΩ) | B |
| R66 | 7030003720 | S.RESISTOR ERJ3GEYJ 224 V (220 kΩ) | B |
| R67 | 7030003770 | S.RESISTOR ERJ3GEYJ 564 V (560 kΩ) | B |
| R68 | 7030003560 | S.RESISTOR ERJ3GEYJ 103 V (10 kΩ) | T |
| R69 | 7030003320 | S.RESISTOR ERJ3GEYJ 101 V (100 Ω) | B |
| R70 | 7030003800 | S.RESISTOR ERJ3GEYJ 105 V (1 MΩ) | B |
| R71 | 7030003200 | S.RESISTOR ERJ3GEYJ 100 V (10 Ω) | T |
| R76 | 7030003520 | S.RESISTOR ERJ3GEYJ 472 V (4.7 kΩ) | T |
| R77 | 7030003640 | S.RESISTOR ERJ3GEYJ 473 V (47 kΩ) | T |
| R78 | 7030003640 | S.RESISTOR ERJ3GEYJ 473 V (47 kΩ) | T |
| R79 | 7030003640 | S.RESISTOR ERJ3GEYJ 473 V (47 kΩ) | T |
| R80 | 7030003540 | S.RESISTOR ERJ3GEYJ 682 V (6.8 kΩ) | T |
| R81 | 7030003640 | S.RESISTOR ERJ3GEYJ 473 V (47 kΩ) | T |
| R83 | 7030003280 | S.RESISTOR ERJ3GEYJ 470 V (47 Ω) | B |
| R84 | 7030003540 | S.RESISTOR ERJ3GEYJ 682 V (6.8 kΩ) | T |
| R85 | 7030003680 | S.RESISTOR ERJ3GEYJ 104 V (100 kΩ) | T |
| R86 | 7030003520 | S.RESISTOR ERJ3GEYJ 472 V (4.7 kΩ) | T |
| R87 | 7030003480 | S.RESISTOR ERJ3GEYJ 222 V (2.2 kΩ) | T |
| R88 | 7030003560 | S.RESISTOR ERJ3GEYJ 103 V (10 kΩ) | T |
| R90 | 7030003200 | S.RESISTOR ERJ3GEYJ 100 V (10 Ω) | B |
| R91 | 7030003440 | S.RESISTOR ERJ3GEYJ 102 V (1 kΩ) | T |
| R92 | 7030004040 | S.RESISTOR ERJ3GEYJ 4R7 V (4.7 Ω) | B |
| R93 | 7030003720 | S.RESISTOR ERJ3GEYJ 224 V (220 kΩ) | T |
| R94 | 7030003680 | S.RESISTOR ERJ3GEYJ 104 V (100 kΩ) | T |
| R95 | 7030003320 | S.RESISTOR ERJ3GEYJ 101 V (100 Ω) | B |
| R96 | 7030003530 | S.RESISTOR ERJ3GEYJ 562 V (5.6 kΩ) | T |
| R97 | 7030003530 | S.RESISTOR ERJ3GEYJ 562 V (5.6 kΩ) | T |
| R98 | 7030003530 | S.RESISTOR ERJ3GEYJ 562 V (5.6 kΩ) | T |
| R99 | 7030003530 | S.RESISTOR ERJ3GEYJ 562 V (5.6 kΩ) | T |
| R100 | 7030003370 | S.RESISTOR ERJ3GEYJ 271 V (270 Ω) | T |
| R101 | 7030003230 | S.RESISTOR ERJ3GEYJ 180 V (18 Ω) [L], [M], [FR4100] only | T |
| | 7030003860 | S.RESISTOR ERJ3GE JPW V [USA3], [GEN3], [GEN7] | T |
| R102 | 7030003370 | S.RESISTOR ERJ3GEYJ 271 V (270 Ω) [L], [M], [FR4100] only | T |
| R103 | 7030003860 | S.RESISTOR ERJ3GE JPW V | B |
| R104 | 7030003860 | S.RESISTOR ERJ3GE JPW V | T |
| R105 | 7030003860 | S.RESISTOR ERJ3GE JPW V | B |
| R106 | 7030003860 | S.RESISTOR ERJ3GE JPW V | B |
| C1 | 4030006860 | S.CERAMIC C1608 JB 1H 102K-T | B |
| C2 | 4030007130 | S.CERAMIC C1608 CH 1H 101J-T | B |
| C3 | 4030006980 | S.CERAMIC C1608 CH 1H 070D-T | B |
| C4 | 4030006860 | S.CERAMIC C1608 JB 1H 102K-T | B |
| C5 | 4030007130 | S.CERAMIC C1608 CH 1H 101J-T | T |
| C6 | 4030006990 | S.CERAMIC C1608 CH 1H 080D-T | T |
| C8 | 4030006860 | S.CERAMIC C1608 JB 1H 102K-T | T |
| C9 | 4030006860 | S.CERAMIC C1608 JB 1H 102K-T | T |
| C10 | 4030007010 | S.CERAMIC C1608 CH 1H 100D-T | T |
| C15 | 4030006860 | S.CERAMIC C1608 JB 1H 102K-T | T |
| C16 | 4030006860 | S.CERAMIC C1608 JB 1H 102K-T | B |
| C17 | 4030006860 | S.CERAMIC C1608 JB 1H 102K-T | T |
| C18 | 4030007130 | S.CERAMIC C1608 CH 1H 101J-T | B |
| C19 | 4030006980 | S.CERAMIC C1608 CH 1H 070D-T | B |
| C20 | 4030007130 | S.CERAMIC C1608 CH 1H 101J-T | B |
| C21 | 4030006860 | S.CERAMIC C1608 JB 1H 102K-T | B |
| C22 | 4030006860 | S.CERAMIC C1608 JB 1H 102K-T | B |
| C24 | 4030007130 | S.CERAMIC C1608 CH 1H 101J-T | B |
| C26 | 4030006860 | S.CERAMIC C1608 JB 1H 102K-T | B |
| C27 | 4030006860 | S.CERAMIC C1608 JB 1H 102K-T | B |
| C28 | 4510004640 | S.ELECTROLYTIC ECEV1CA470SP | T |
| C29 | 4030006860 | S.CERAMIC C1608 JB 1H 102K-T | T |
| C32 | 4030006860 | S.CERAMIC C1608 JB 1H 102K-T | T |
| C33 | 4510004640 | S.ELECTROLYTIC ECEV1CA470SP | T |
| C34 | 4030006860 | S.CERAMIC C1608 JB 1H 102K-T | T |
| C35 | 4030006870 | S.CERAMIC C1608 JB 1H 222K-T | B |
| C36 | 4550006390 | S.TANTALUM TEESVA 1C 335M8L | B |
| C37 | 4030006860 | S.CERAMIC C1608 JB 1H 102K-T | T |
| C38 | 4030006860 | S.CERAMIC C1608 JB 1H 102K-T | T |
| C39 | 4030006860 | S.CERAMIC C1608 JB 1H 102K-T | T |
| C40 | 4030006860 | S.CERAMIC C1608 JB 1H 102K-T | T |
| C41 | 4030006860 | S.CERAMIC C1608 JB 1H 102K-T | T |
| C42 | 4030006860 | S.CERAMIC C1608 JB 1H 102K-T | T |
| C43 | 4030006860 | S.CERAMIC C1608 JB 1H 102K-T | T |
| C44 | 4510004630 | S.ELECTROLYTIC ECEV1CA100SR | T |
| C45 | 4030007010 | S.CERAMIC C1608 CH 1H 100D-T | T |
| C46 | 4030007010 | S.CERAMIC C1608 CH 1H 100D-T | T |

[L]: LOW BAND, [M]: MIDDLE BAND, [H]: HIGH BAND

[TX UNIT]

| REF NO. | ORDER NO. | DESCRIPTION | M. |
|---------|------------|--|----|
| C47 | 4030007010 | S.CERAMIC C1608 CH 1H 100D-T | T |
| C48 | 4030006860 | S.CERAMIC C1608 JB 1H 102K-T | T |
| C49 | 4030006860 | S.CERAMIC C1608 JB 1H 102K-T | T |
| C50 | 4510004630 | S.ELECTROLYTIC ECEV1CA100SR | T |
| C51 | 4550006250 | S.TANTALUM TEESVA 1A 106M8L | T |
| C52 | 4030006860 | S.CERAMIC C1608 JB 1H 102K-T | T |
| C56 | 4510004630 | S.ELECTROLYTIC ECEV1CA100SR | T |
| C57 | 4030006860 | S.CERAMIC C1608 JB 1H 102K-T | B |
| C58 | 4030011600 | S.CERAMIC C1608 JB 1E 104K-T | B |
| C59 | 4030008920 | S.CERAMIC C1608 JB 1H 473K-T | B |
| C60 | 4510004630 | S.ELECTROLYTIC ECEV1CA100SR | T |
| C61 | 4030006860 | S.CERAMIC C1608 JB 1H 102K-T | B |
| C65 | 4030006860 | S.CERAMIC C1608 JB 1H 102K-T | B |
| C67 | 4550002980 | S.TANTALUM TEESVA 1C 225M8L | B |
| C68 | 4030006860 | S.CERAMIC C1608 JB 1H 102K-T | T |
| C69 | 4030006860 | S.CERAMIC C1608 JB 1H 102K-T | T |
| C72 | 4030006860 | S.CERAMIC C1608 JB 1H 102K-T | T |
| C73 | 4030006860 | S.CERAMIC C1608 JB 1H 102K-T | B |
| C74 | 4030006860 | S.CERAMIC C1608 JB 1H 102K-T | T |
| C75 | 4030006860 | S.CERAMIC C1608 JB 1H 102K-T | T |
| C76 | 4030006860 | S.CERAMIC C1608 JB 1H 102K-T | B |
| C77 | 4030006860 | S.CERAMIC C1608 JB 1H 102K-T | T |
| C78 | 4030006860 | S.CERAMIC C1608 JB 1H 102K-T | B |
| C79 | 4030006850 | S.CERAMIC C1608 JB 1H 471K-T | B |
| C80 | 4030011600 | S.CERAMIC C1608 JB 1E 104K-T | B |
| C82 | 4550006250 | S.TANTALUM TEESVA 1A 106M8L | T |
| C85 | 4030006860 | S.CERAMIC C1608 JB 1H 102K-T | B |
| C89 | 4030009920 | S.CERAMIC C1608 CH 1H 050B-T | T |
| C90 | 4030007010 | S.CERAMIC C1608 CH 1H 100D-T | T |
| C91 | 4030009920 | S.CERAMIC C1608 CH 1H 050B-T | T |
| C92 | 4030006860 | S.CERAMIC C1608 JB 1H 102K-T | T |
| C93 | 4030006860 | S.CERAMIC C1608 JB 1H 102K-T | T |
| C96 | 4510004630 | S.ELECTROLYTIC ECEV1CA100SR | T |
| C97 | 4510004630 | S.ELECTROLYTIC ECEV1CA100SR | T |
| C98 | 4510004640 | S.ELECTROLYTIC ECEV1CA470SP | T |
| C99 | 4550000460 | S.TANTALUM TEESVA 1C 105M8L | T |
| C100 | 4510004630 | S.ELECTROLYTIC ECEV1CA100SR | T |
| C103 | 4030006900 | S.CERAMIC C1608 JB 1H 103K-T | B |
| C104 | 4030011600 | S.CERAMIC C1608 JB 1E 104K-T | B |
| C105 | 4510004630 | S.ELECTROLYTIC ECEV1CA100SR | T |
| C107 | 4030007130 | S.CERAMIC C1608 CH 1H 101J-T | T |
| C108 | 4030006860 | S.CERAMIC C1608 JB 1H 102K-T | T |
| C109 | 4550006250 | S.TANTALUM TEESVA 1A 106M8L | T |
| C110 | 4030007130 | S.CERAMIC C1608 CH 1H 101J-T | T |
| C111 | 4030011600 | S.CERAMIC C1608 JB 1E 104K-T | T |
| C112 | 4030007130 | S.CERAMIC C1608 CH 1H 101J-T | B |
| C113 | 4550006250 | S.TANTALUM TEESVA 1A 106M8L | B |
| C114 | 4030006860 | S.CERAMIC C1608 JB 1H 102K-T | B |
| C115 | 4030007130 | S.CERAMIC C1608 CH 1H 101J-T | B |
| C116 | 4030006860 | S.CERAMIC C1608 JB 1H 102K-T | B |
| C117 | 4030007130 | S.CERAMIC C1608 CH 1H 101J-T | B |
| C118 | 4030007130 | S.CERAMIC C1608 CH 1H 101J-T | T |
| C119 | 4550000460 | S.TANTALUM TEESVA 1C 105M8L | B |
| C120 | 4030006860 | S.CERAMIC C1608 JB 1H 102K-T | B |
| C121 | 4030007000 | S.CERAMIC C1608 CH 1H 090D-T | T |
| C122 | 4550006250 | S.TANTALUM TEESVA 1A 106M8L | T |
| C123 | 4030006860 | S.CERAMIC C1608 JB 1H 102K-T | T |
| J3 | 6510022590 | S.CONNECTOR 22FMN-BMTTR-A-TBT | T |
| J4 | 6510022800 | S.CONNECTOR B10B-PH-SM3-TB | T |
| W11 | 8900012490 | CABLE OPC-1281 (TX-ANT CABLE EUR) [FR4100] only | T |
| WS1 | 8970024070 | FX2368 1.5D COAXIAL TUBE (1)/TX [FR4000] only | T |
| EP1 | 0910056156 | PCB B 5660F | |

M.=Mounted side (T: Mounted on the Top side, B: Mounted on the Bottom side)
S.=Surface mount

[TVCO UNIT]

| REF NO. | ORDER NO. | DESCRIPTION | | M. |
|---------|------------|--------------|----------------------------------|------------|
| Q1 | 1530000371 | S.TRANSISTOR | 2SC3356-T1B R25 | T |
| Q2 | 1530002920 | S.TRANSISTOR | 2SC4226-T1 R25 | T |
| D1 | 1720000640 | S.VARICAP | 1SV284 (TPH3) | T |
| D2 | 1720000640 | S.VARICAP | 1SV284 (TPH3) | T |
| D3 | 1720000640 | S.VARICAP | 1SV284 (TPH3) | T |
| D4 | 1720000640 | S.VARICAP | 1SV284 (TPH3) | T |
| D5 | 1720000640 | S.VARICAP | 1SV284 (TPH3) | T |
| L1 | 6200003960 | S.COIL | MLF1608A 1R0K-T | T |
| L2 | 6200003960 | S.COIL | MLF1608A 1R0K-T | T |
| L3 | 6200010280 | S.COIL | C3328A-14NG-A | T |
| L4 | 6200007000 | S.COIL | ELJRE 82NG-F | T |
| L5 | 6200005700 | S.COIL | ELJRE 22NG-F | T |
| L6 | 6200007000 | S.COIL | ELJRE 82NG-F | T |
| L7 | 6200005740 | S.COIL | ELJRE 47NG-F | [H] T |
| | 6200009180 | S.COIL | ELJRE R10J-F3 | [L], [M] T |
| R1 | 7030003280 | S.RESISTOR | ERJ3GEYJ 470 V (47 Ω) | T |
| R2 | 7030003440 | S.RESISTOR | ERJ3GEYJ 102 V (1 kΩ) | T |
| R3 | 7030003520 | S.RESISTOR | ERJ3GEYJ 472 V (4.7 kΩ) | T |
| R4 | 7030003550 | S.RESISTOR | ERJ3GEYJ 822 V (8.2 kΩ) | T |
| R5 | 7030003350 | S.RESISTOR | ERJ3GEYJ 181 V (180 Ω) | T |
| R6 | 7030003500 | S.RESISTOR | ERJ3GEYJ 332 V (3.3 kΩ) | T |
| R7 | 7030003400 | S.RESISTOR | ERJ3GEYJ 471 V (470 Ω) | T |
| R8 | 7030003520 | S.RESISTOR | ERJ3GEYJ 472 V (4.7 kΩ) | T |
| R12 | 7030003560 | S.RESISTOR | ERJ3GEYJ 103 V (10 kΩ) | T |
| R13 | 7030003280 | S.RESISTOR | ERJ3GEYJ 470 V (47 Ω) | T |
| R14 | 7030003640 | S.RESISTOR | ERJ3GEYJ 473 V (47 kΩ) | T |
| R15 | 7030003540 | S.RESISTOR | ERJ3GEYJ 682 V (6.8 kΩ) | T |
| C1 | 4030006860 | S.CERAMIC | C1608 JB 1H 102K-T | T |
| C2 | 4030007130 | S.CERAMIC | C1608 CH 1H 101J-T | T |
| C3 | 4550006770 | S.TANTALUM | TEESVD2 1C 476M-12R | T |
| C4 | 4030006860 | S.CERAMIC | C1608 JB 1H 102K-T | T |
| C5 | 4030006860 | S.CERAMIC | C1608 JB 1H 102K-T | T |
| C6 | 4030009510 | S.CERAMIC | C1608 CH 1H 010B-T | [H] T |
| | 4030009520 | S.CERAMIC | C1608 CH 1H 020B-T | [L] T |
| | 4030009540 | S.CERAMIC | C1608 CH 1H 1R5B-T | [M] T |
| C7 | 4030009550 | S.CERAMIC | C1608 CH 1H 2R5B-T | T |
| C8 | 4030007000 | S.CERAMIC | C1608 CH 1H 090D-T | T |
| C9 | 4030007010 | S.CERAMIC | C1608 CH 1H 100D-T | T |
| C10 | 4030009510 | S.CERAMIC | C1608 CH 1H 010B-T | T |
| C11 | 4030007000 | S.CERAMIC | C1608 CH 1H 090D-T | T |
| C12 | 4030006860 | S.CERAMIC | C1608 JB 1H 102K-T | T |
| C13 | 4030007130 | S.CERAMIC | C1608 CH 1H 101J-T | T |
| C14 | 4030007130 | S.CERAMIC | C1608 CH 1H 101J-T | T |
| C15 | 4030009510 | S.CERAMIC | C1608 CH 1H 010B-T | T |
| C16 | 4030006860 | S.CERAMIC | C1608 JB 1H 102K-T | T |
| C17 | 4610001920 | S.TRIMMER | TZC3Z060A110R00 | T |
| C18 | 4030006860 | S.CERAMIC | C1608 JB 1H 102K-T | T |
| C22 | 4030007130 | S.CERAMIC | C1608 CH 1H 101J-T | T |
| C23 | 4030009520 | S.CERAMIC | C1608 CH 1H 020B-T | T |
| C24 | 4030009530 | S.CERAMIC | C1608 CH 1H 030B-T | [M], [H] T |
| | 4030009920 | S.CERAMIC | C1608 CH 1H 050B-T | [L] T |
| C25 | 4030006860 | S.CERAMIC | C1608 JB 1H 102K-T | T |
| C26 | 4030007130 | S.CERAMIC | C1608 CH 1H 101J-T | T |
| C27 | 4030007130 | S.CERAMIC | C1608 CH 1H 101J-T | T |
| C28 | 4030009510 | S.CERAMIC | C1608 CH 1H 010B-T | [M], [H] T |
| | 4030009520 | S.CERAMIC | C1608 CH 1H 020B-T | [L] T |
| C29 | 4030009510 | S.CERAMIC | C1608 CH 1H 010B-T [L], [M] only | T |
| J1 | 6910008020 | CONNECTOR | IPS-1323 | T |
| J2 | 6910008020 | CONNECTOR | IPS-1323 | T |
| J3 | 6910008020 | CONNECTOR | IPS-1323 | T |
| J4 | 6910008020 | CONNECTOR | IPS-1323 | T |
| J5 | 6910008020 | CONNECTOR | IPS-1323 | T |
| J6 | 6910008020 | CONNECTOR | IPS-1323 | T |
| EP1 | 0910056168 | PCB | B 5661H | T |

[L]: LOW BAND, [M]: MIDDLE BAND, [H]: HIGH BAND

[25PA UNIT] IC-FR4100 ONLY

| REF NO. | ORDER NO. | DESCRIPTION | | M. |
|---------|------------|--------------|-------------------------------|-------|
| IC1 | 1110002750 | S.IC | TA75S01F (TE85R) | T |
| IC2 | 1150001670 | IC | S-AU27AL (ICOM) / SC-1322 [L] | T |
| | 1150001680 | IC | S-AU27AM (ICOM) / SC-1323 [H] | T |
| IC3 | 1110002400 | S.IC | NJM2107F-TE1 | T |
| IC7 | 1180000420 | S.IC | TA78L05F (TE12R) | T |
| IC8 | 1180002660 | S.REG | μPC2910T-E1 | T |
| Q4 | 1560001300 | S.FET | 2SK3475 (T2LICOM) | T |
| Q7 | 1590000680 | S.TRANSISTOR | DTC114EUA T106 | T |
| Q8 | 1510000590 | S.TRANSISTOR | 2SA1362-Y (TE85L) | T |
| Q9 | 1590000680 | S.TRANSISTOR | DTC114EUA T106 | T |
| Q10 | 1590000680 | S.TRANSISTOR | DTC114EUA T106 | T |
| Q11 | 1520000410 | TRANSISTOR | 2SB1143 T | T |
| Q12 | 1530001940 | S.TRANSISTOR | 2SC2712-BL (TE85R) | T |
| D2 | 1720000360 | S.DIODE | HSU88TRF | T |
| D4 | 1720000360 | S.DIODE | HSU88TRF | T |
| D5 | 1750000200 | S.DIODE | 1SS319 (TE85R) | T |
| D6 | 1730002340 | S.ZENER | MA8047-M (TX) | T |
| D7 | 1730002340 | S.ZENER | MA8047-M (TX) | T |
| D13 | 1750000550 | S.DIODE | 1SS355 TE-17 | T |
| D15 | 1790000720 | DIODE | MA29W-B | T |
| L6 | 6110003850 | COIL | LA-587 | [H] T |
| | 6110003940 | COIL | LA-586 | [L] T |
| L7 | 6110003850 | COIL | LA-587 | [H] T |
| | 6110003940 | COIL | LA-586 | [L] T |
| L8 | 6200007670 | S.COIL | LQW2BHN10NJ01L | T |
| L10 | 6110003661 | COIL | LA-563A | T |
| L13 | 6110003661 | COIL | LA-563A | T |
| L14 | 6200003960 | S.COIL | MLF1608A 1R0K-T | T |
| L15 | 6200009790 | S.COIL | BLM31PG121SN1 | T |
| L16 | 6910000670 | COIL | BL01RN1A1D2B (BL01RN1-A62) | T |
| L17 | 6200009790 | S.COIL | BLM31PG121SN1 | T |
| L18 | 6200009790 | S.COIL | BLM31PG121SN1 | T |
| L19 | 6200005640 | S.COIL | ELJRE 6N8Z-F | T |
| L20 | 6110003830 | COIL | LA-583 | [L] T |
| | 6110003860 | COIL | LA-588 | [H] T |
| L21 | 6110003830 | COIL | LA-583 | [L] T |
| | 6110003860 | COIL | LA-588 | [H] T |
| L22 | 6200005650 | S.COIL | ELJRE 8N2Z-F | T |
| L23 | 6200008570 | S.COIL | LQW2BHN6N8D01L | T |
| L24 | 6200007230 | S.COIL | LQW2BHN15NJ01L | T |
| L25 | 6110003661 | COIL | LA-563A | T |
| L26 | 6910000670 | COIL | BL01RN1A1D2B | T |
| L27 | 6110003790 | COIL | LA-579 | T |
| R1 | 7030003560 | S.RESISTOR | ERJ3GEYJ 103 V (10 kΩ) | T |
| R2 | 7030003680 | S.RESISTOR | ERJ3GEYJ 104 V (100 kΩ) | T |
| R4 | 7030003680 | S.RESISTOR | ERJ3GEYJ 104 V (100 kΩ) | T |
| R5 | 7030003560 | S.RESISTOR | ERJ3GEYJ 103 V (10 kΩ) | T |
| R6 | 7030003560 | S.RESISTOR | ERJ3GEYJ 103 V (10 kΩ) | T |
| R7 | 7030003560 | S.RESISTOR | ERJ3GEYJ 103 V (10 kΩ) | T |
| R8 | 7030003560 | S.RESISTOR | ERJ3GEYJ 103 V (10 kΩ) | [H] T |
| | 7030003600 | S.RESISTOR | ERJ3GEYJ 223 V (22 kΩ) | [L] T |
| R11 | 7030003530 | S.RESISTOR | ERJ3GEYJ 562 V (5.6 kΩ) | T |
| R12 | 7030003690 | S.RESISTOR | ERJ3GEYJ 124 V (120 kΩ) | T |
| R13 | 7030003560 | S.RESISTOR | ERJ3GEYJ 103 V (10 kΩ) | T |
| R15 | 7030003630 | S.RESISTOR | ERJ3GEYJ 393 V (39 kΩ) | T |
| R16 | 7030003440 | S.RESISTOR | ERJ3GEYJ 102 V (1 kΩ) | T |
| R19 | 7030003200 | S.RESISTOR | ERJ3GEYJ 100 V (10 Ω) | T |
| R20 | 7030000250 | S.RESISTOR | MCR10EZHZJ 82 Ω (820) | T |
| R21 | 7030000250 | S.RESISTOR | MCR10EZHZJ 82 Ω (820) | T |
| R22 | 7030000180 | S.RESISTOR | MCR10EZHZJ 22 Ω (220) | T |
| R23 | 7030000180 | S.RESISTOR | MCR10EZHZJ 22 Ω (220) | T |
| R25 | 7030003580 | S.RESISTOR | ERJ3GEYJ 153 V (15 kΩ) | T |
| R26 | 7030003560 | S.RESISTOR | ERJ3GEYJ 103 V (10 kΩ) | T |
| R28 | 7030003520 | S.RESISTOR | ERJ3GEYJ 472 V (4.7 kΩ) | [H] T |
| | 7030003540 | S.RESISTOR | ERJ3GEYJ 682 V (6.8 kΩ) | [L] T |
| R29 | 7030000010 | S.RESISTOR | MCR10EZHZJ JPW (000) | [L] T |
| | 7030000140 | S.RESISTOR | MCR10EZHZJ 10 Ω (100) | [H] T |
| R31 | 7030000350 | S.RESISTOR | MCR10EZHZJ 560 Ω (561) | [H] T |
| R32 | 7030000350 | S.RESISTOR | MCR10EZHZJ 560 Ω (561) | [H] T |
| R38 | 7030003450 | S.RESISTOR | ERJ3GEYJ 122 V (1.2 kΩ) | T |
| R39 | 7030003200 | S.RESISTOR | ERJ3GEYJ 100 V (10 Ω) | T |
| R40 | 7030003320 | S.RESISTOR | ERJ3GEYJ 101 V (100 Ω) | T |
| R41 | 7030003510 | S.RESISTOR | ERJ3GEYJ 392 V (3.9 kΩ) | T |
| R42 | 7030003560 | S.RESISTOR | ERJ3GEYJ 103 V (10 kΩ) | T |
| R43 | 7030003600 | S.RESISTOR | ERJ3GEYJ 223 V (22 kΩ) | T |
| R44 | 7030003680 | S.RESISTOR | ERJ3GEYJ 104 V (100 kΩ) | T |
| R45 | 7030003560 | S.RESISTOR | ERJ3GEYJ 103 V (10 kΩ) | T |
| R47 | 7030003640 | S.RESISTOR | ERJ3GEYJ 473 V (47 kΩ) | T |
| R56 | 7030003640 | S.RESISTOR | ERJ3GEYJ 473 V (47 kΩ) | T |
| R57 | 7030003500 | S.RESISTOR | ERJ3GEYJ 332 V (3.3 kΩ) | T |

M.=Mounted side (T: Mounted on the Top side, B: Mounted on the Bottom side)
S.=Surface mount

[25PA UNIT] IC-FR4100 ONLY

| REF NO. | ORDER NO. | DESCRIPTION | M. |
|---------|------------|------------------------------------|------------|
| R58 | 7030003440 | S.RESISTOR ERJ3GEYJ 102 V (1 kΩ) | T |
| R59 | 7030003550 | S.RESISTOR ERJ3GEYJ 822 V (8.2 kΩ) | T |
| R60 | 7030003320 | S.RESISTOR ERJ3GEYJ 101 V (100 Ω) | T |
| R61 | 7030003360 | S.RESISTOR ERJ3GEYJ 221 V (220 Ω) | T |
| R62 | 7030003560 | S.RESISTOR ERJ3GEYJ 103 V (10 kΩ) | T |
| R63 | 7030003460 | S.RESISTOR ERJ3GEYJ 152 V (1.5 kΩ) | T |
| R64 | 7030003660 | S.RESISTOR ERJ3GEYJ 683 V (68 kΩ) | T |
| R65 | 7030003480 | S.RESISTOR ERJ3GEYJ 222 V (2.2 kΩ) | T |
| R66 | 7030003560 | S.RESISTOR ERJ3GEYJ 103 V (10 kΩ) | T |
| R67 | 7030000010 | S.RESISTOR MCR10EZJH JPW (000) | T |
| R68 | 7030003860 | S.RESISTOR ERJ3GE JPW V | T |
| R70 | 7030003860 | S.RESISTOR ERJ3GE JPW V | T |
| R73 | 7030003290 | S.RESISTOR ERJ3GEYJ 560 V (56 Ω) | [L] T |
| | 7030003860 | S.RESISTOR ERJ3GE JPW V | [H] T |
| R74 | 7030003860 | S.RESISTOR ERJ3GE JPW V | T |
| R75 | 7030000010 | S.RESISTOR MCR10EZJH JPW (000) | T |
| C1 | 4030018430 | S.CERAMIC ERF22X 6C2H 6R0D D01L | [H] T |
| | 4030018460 | S.CERAMIC ERF22X 6C2H 100J D01L | [L] T |
| C2 | 4030017970 | S.CERAMIC ERF22X 6C2H 120J D01L | T |
| C3 | 4030017970 | S.CERAMIC ERF22X 6C2H 120J D01L | T |
| C11 | 4030006860 | S.CERAMIC C1608 JB 1H 102K-T | T |
| C12 | 4030006860 | S.CERAMIC C1608 JB 1H 102K-T | T |
| C13 | 4030006860 | S.CERAMIC C1608 JB 1H 102K-T | T |
| C14 | 4030006860 | S.CERAMIC C1608 JB 1H 102K-T | T |
| C15 | 4030007130 | S.CERAMIC C1608 CH 1H 101J-T | T |
| C16 | 4030006860 | S.CERAMIC C1608 JB 1H 102K-T | T |
| C18 | 4030006860 | S.CERAMIC C1608 JB 1H 102K-T | T |
| C19 | 4030006860 | S.CERAMIC C1608 JB 1H 102K-T | T |
| C20 | 4030007130 | S.CERAMIC C1608 CH 1H 101J-T | T |
| C21 | 4030007130 | S.CERAMIC C1608 CH 1H 101J-T | T |
| C22 | 4030007130 | S.CERAMIC C1608 CH 1H 101J-T | T |
| C23 | 4030006860 | S.CERAMIC C1608 JB 1H 102K-T | T |
| C24 | 4030006860 | S.CERAMIC C1608 JB 1H 102K-T | T |
| C25 | 4030006860 | S.CERAMIC C1608 JB 1H 102K-T | T |
| C26 | 4030006860 | S.CERAMIC C1608 JB 1H 102K-T | T |
| C27 | 4030006860 | S.CERAMIC C1608 JB 1H 102K-T | T |
| C28 | 4030006860 | S.CERAMIC C1608 JB 1H 102K-T | T |
| C30 | 4030017200 | S.CERAMIC GRM31BR32J102KY01L | T |
| C31 | 4030006860 | S.CERAMIC C1608 JB 1H 102K-T | T |
| C32 | 4030006860 | S.CERAMIC C1608 JB 1H 102K-T | T |
| C34 | 4030006860 | S.CERAMIC C1608 JB 1H 102K-T | T |
| C37 | 4030006900 | S.CERAMIC C1608 JB 1H 103K-T | T |
| C38 | 4030006860 | S.CERAMIC C1608 JB 1H 102K-T | T |
| C39 | 4030006900 | S.CERAMIC C1608 JB 1H 103K-T | T |
| C40 | 4030006900 | S.CERAMIC C1608 JB 1H 103K-T | T |
| C41 | 4030006900 | S.CERAMIC C1608 JB 1H 103K-T | T |
| C42 | 4030006900 | S.CERAMIC C1608 JB 1H 103K-T | T |
| C44 | 4030006900 | S.CERAMIC C1608 JB 1H 103K-T | T |
| C47 | 4030006900 | S.CERAMIC C1608 JB 1H 103K-T | T |
| C52 | 4030011600 | S.CERAMIC C1608 JB 1E 104K-T | T |
| C53 | 4030011600 | S.CERAMIC C1608 JB 1E 104K-T | T |
| C55 | 4030011600 | S.CERAMIC C1608 JB 1E 104K-T | T |
| C56 | 4030011600 | S.CERAMIC C1608 JB 1E 104K-T | T |
| C57 | 4030011600 | S.CERAMIC C1608 JB 1E 104K-T | T |
| C59 | 4030011600 | S.CERAMIC C1608 JB 1E 104K-T | T |
| C60 | 4030007040 | S.CERAMIC C1608 CH 1H 180J-T | T |
| C61 | 4510007690 | ELECTROLYTIC LXZ25VB2200 | T |
| C67 | 4510007960 | ELECTROLYTIC KMY25VB1000 | T |
| C68 | 4510007670 | S.ELECTROLYTIC EEVHB1C100R | T |
| C69 | 4510007670 | S.ELECTROLYTIC EEVHB1C100R | T |
| C70 | 4510007670 | S.ELECTROLYTIC EEVHB1C100R | [H] only T |
| C71 | 4510007670 | S.ELECTROLYTIC EEVHB1C100R | T |
| C74 | 4030011340 | S.CERAMIC C1608 CH 1H 471J-T | T |
| C78 | 4030009520 | S.CERAMIC C1608 CH 1H 020B-T | T |
| C79 | 4030009510 | S.CERAMIC C1608 CH 1H 010B-T | T |
| C80 | 4030017200 | S.CERAMIC GRM31BR32J102KY01L | T |
| C82 | 4030006860 | S.CERAMIC C1608 JB 1H 102K-T | T |
| C83 | 4030007130 | S.CERAMIC C1608 CH 1H 101J-T | T |
| C88 | 4030006850 | S.CERAMIC C1608 JB 1H 471K-T | T |
| C89 | 4030006850 | S.CERAMIC C1608 JB 1H 471K-T | T |
| C90 | 4030006860 | S.CERAMIC C1608 JB 1H 102K-T | T |
| C91 | 4030006860 | S.CERAMIC C1608 JB 1H 102K-T | T |
| C92 | 4510007570 | S.ELECTROLYTIC EEVHB1C220UR | T |
| C95 | 4510007670 | S.ELECTROLYTIC EEVHB1C100R | T |
| C96 | 4510007670 | S.ELECTROLYTIC EEVHB1C100R | T |
| C97 | 4030006900 | S.CERAMIC C1608 JB 1H 103K-T | T |
| C98 | 4030018540 | S.CERAMIC ERF22X 6C2H 7R0D D01L | T |
| C99 | 4030018170 | S.CERAMIC ERF22X 6C2H 4R0C D01L | [H] T |
| | 4030018540 | S.CERAMIC ERF22X 6C2H 7R0D D01L | [L] T |
| C101 | 4030006860 | S.CERAMIC C1608 JB 1H 102K-T | T |
| C102 | 4030006900 | S.CERAMIC C1608 JB 1H 103K-T | T |
| C103 | 4030011600 | S.CERAMIC C1608 JB 1E 104K-T | T |
| C104 | 4030006900 | S.CERAMIC C1608 JB 1H 103K-T | T |
| C105 | 4030006860 | S.CERAMIC C1608 JB 1H 102K-T | T |
| C107 | 4030006850 | S.CERAMIC C1608 JB 1H 471K-T | T |
| C108 | 4030017490 | S.CERAMIC C1608 JB 1A 105K-T | T |

[L]: LOW BAND, [M]: MIDDLE BAND, [H]: HIGH BAND

[25PA UNIT] IC-FR4100 ONLY

| REF NO. | ORDER NO. | DESCRIPTION | M. |
|---------|------------|---------------------------------|------------|
| C109 | 4550006470 | S.TANTALUM TEESVB2 1D 106M8L | T |
| C111 | 4030011600 | S.CERAMIC C1608 JB 1E 104K-T | T |
| C112 | 4030007010 | S.CERAMIC C1608 CH 1H 100D-T | T |
| C113 | 4030009520 | S.CERAMIC C1608 CH 1H 020B-T | T |
| C114 | 4030009520 | S.CERAMIC C1608 CH 1H 020B-T | T |
| C115 | 4030009520 | S.CERAMIC C1608 CH 1H 020B-T | T |
| C116 | 4030009520 | S.CERAMIC C1608 CH 1H 020B-T | T |
| C117 | 4030018410 | S.CERAMIC ERF22X 6C2H 2R0C D01L | [L] T |
| | 4030018540 | S.CERAMIC ERF22X 6C2H 7R0D D01L | [H] T |
| C118 | 4030006860 | S.CERAMIC C1608 JB 1H 102K-T | T |
| C119 | 4030018370 | S.CERAMIC ERF22X 6C1H 102J D01L | T |
| C120 | 4030004760 | S.CERAMIC C2012 JF 1H 104Z-T | T |
| C121 | 4510007660 | ELECTROLYTIC LXZ25VB100 | T |
| C122 | 4030006860 | S.CERAMIC C1608 JB 1H 102K-T | T |
| C123 | 4030011600 | S.CERAMIC C1608 JB 1E 104K-T | T |
| C124 | 4030006860 | S.CERAMIC C1608 JB 1H 102K-T | T |
| C125 | 4550006470 | S.TANTALUM TEESVB2 1D 106M8L | [H] T |
| | 4550006900 | S.TANTALUM TEESVB2 1V 225MPS8L | [L] T |
| C126 | 4550006480 | S.TANTALUM TEESVA 1C 475M8L | T |
| C127 | 4030006860 | S.CERAMIC C1608 JB 1H 102K-T | T |
| C129 | 4030006850 | S.CERAMIC C1608 JB 1H 471K-T | T |
| C130 | 4030018410 | S.CERAMIC ERF22X 6C2H 2R0C D01L | T |
| C131 | 4030018170 | S.CERAMIC ERF22X 6C2H 4R0C D01L | [H] only T |
| C132 | 4550002810 | S.TANTALUM TEESVD2 1E 106M12L | T |
| C133 | 4030009520 | S.CERAMIC C1608 CH 1H 020B-T | T |
| C134 | 4030009520 | S.CERAMIC C1608 CH 1H 020B-T | T |
| C135 | 4030009520 | S.CERAMIC C1608 CH 1H 020B-T | T |
| C136 | 4030009520 | S.CERAMIC C1608 CH 1H 020B-T | T |
| J1 | 6510022800 | S.CONNECTOR B10B-PH-SM3-TB | T |
| J2 | 6510007020 | CONNECTOR TMP-J01X-V6 | T |
| T2 | 5910001000 | TRANSFORMER TC-7 | T |
| EP1 | 6910014490 | TERMINAL OP-100 M3 | T |
| EP2 | 6910014490 | TERMINAL OP-100 M3 | T |
| EP3 | 0910057024 | PCB B 6029D | T |
| EP4 | 6910015380 | BEAD B-20L-34 | T |
| EP5 | 6910015380 | BEAD B-20L-34 | T |
| EP6 | 6910015380 | BEAD B-20L-34 | T |

M.=Mounted side (T: Mounted on the Top side, B: Mounted on the Bottom side)
S.=Surface mount

[50PA UNIT] IC-FR4000 ONLY

| REF NO. | ORDER NO. | DESCRIPTION | M. |
|---------|------------|--|----|
| IC1 | 1150000180 | IC M57729 / SC1027 [M] | T |
| | 1150001670 | IC S-AU27AL (ICOM) / SC-1322 [L] | T |
| | 1150001680 | IC S-AU27AM (ICOM) / SC-1323 [H] | T |
| IC2 | 1110002750 | S.IC TA75S01F (TE85R) | T |
| IC3 | 1180001250 | S.IC TA7808F (TE16L) [H] only | T |
| IC4 | 1110002400 | S.IC NUM2107F-TE1 | T |
| IC5 | 1180000420 | S.IC TA78L05F (TE12R) | B |
| IC6 | 1130004200 | S.IC TC4S66F (TE85R) | T |
| IC7 | 1110006060 | S.IC S-80820CNMC-B8F-T2 | T |
| Q1 | 1560001160 | S.FET 2SK3475 (TE12L) | T |
| Q2 | 1530000920 | TRANSISTOR 2SC3102 | T |
| Q3 | 1590000430 | S.TRANSISTOR DTC144EUA T106 | T |
| Q5 | 1510000590 | S.TRANSISTOR 2SA1362-Y (TE85L) | T |
| Q6 | 1530001940 | S.TRANSISTOR 2SC2712-BL (TE85R) | T |
| Q7 | 1520000410 | TRANSISTOR 2SB1143 T | T |
| Q8 | 1590000680 | S.TRANSISTOR DTC114EUA T106 | T |
| Q9 | 1590000680 | S.TRANSISTOR DTC114EUA T106 | T |
| D1 | 1750000200 | S.DIODE 1SS319 (TE85R) | T |
| D2 | 1720000360 | S.DIODE HSU88TRF | B |
| D4 | 1720000360 | S.DIODE HSU88TRF | B |
| D5 | 1730002340 | S.ZENER MA8047-M (TX) | B |
| D6 | 1730002340 | S.ZENER MA8047-M (TX) | B |
| D7 | 1730000900 | S.ZENER RD12M-T1B1 | T |
| D8 | 1790000620 | S.DIODE MA77 (TX) | T |
| D9 | 1790000620 | S.DIODE MA77 (TX) | T |
| D10 | 1790000620 | S.DIODE MA77 (TX) | T |
| D11 | 1720000360 | S.DIODE HSU88TRF | T |
| L1 | 6200005640 | S.COIL ELJRE 6N8Z-F | T |
| L2 | 6200004480 | S.COIL MLF1608D R82K-T | T |
| L3 | 6200005780 | S.COIL 33CS-Y655LY-03K=P3 [L] | T |
| | 6200005800 | S.COIL 33CS-Y655LY-02M=P3 [M], [H] | T |
| L4 | 6200005780 | S.COIL 33CS-Y655LY-03K=P3 | T |
| L5 | 6200005790 | S.COIL 33CS-Y655LY-01M=P3 | T |
| L6 | 6110003690 | COIL LA-572 | T |
| L7 | 6110003650 | COIL LA-562 | T |
| L8 | 6110003620 | COIL LA-559 | T |
| L9 | 6110003630 | COIL LA-560 | T |
| L10 | 6110003620 | COIL LA-559 | T |
| L13 | 6200005650 | S.COIL ELJRE 8N2Z-F | T |
| L14 | 6110003661 | COIL LA-563A | T |
| L15 | 6110003661 | COIL LA-563A | T |
| L16 | 6110003640 | COIL LA-561 | T |
| L17 | 6200009790 | S.COIL BLM31PG121SN1 | T |
| L18 | 6200009790 | S.COIL BLM31PG121SN1 | T |
| L19 | 6910000670 | COIL BL01RN1A1D2B (BL01RN1-A62) | T |
| L20 | 6910000670 | COIL BL01RN1A1D2B (BL01RN1-A62) | T |
| L21 | 6910000670 | COIL BL01RN1A1D2B (BL01RN1-A62) | T |
| L22 | 6200009180 | S.COIL ELJRE R10J-F3 [L], [M] only | T |
| R1 | 7030003460 | S.RESISTOR ERJ3GEYJ 152 V (1.5 kΩ) | T |
| R2 | 7030003520 | S.RESISTOR ERJ3GEYJ 472 V (4.7 kΩ) | T |
| R3 | 7030006250 | S.RESISTOR ERJ12YJ271U (270 Ω) | T |
| R4 | 7030001040 | S.RESISTOR MCR50JZHJ 18 Ω (180) | T |
| R5 | 7030006250 | S.RESISTOR ERJ12YJ271U (270 Ω) | T |
| R6 | 7030003560 | S.RESISTOR ERJ3GEYJ 103 V (10 kΩ) | T |
| R7 | 7030000180 | S.RESISTOR MCR10EZHZJ 22 Ω (220) | T |
| R8 | 7030003310 | S.RESISTOR ERJ3GEYJ 820 V (82 Ω) | B |
| R9 | 7030003310 | S.RESISTOR ERJ3GEYJ 820 V (82 Ω) | B |
| R12 | 7030003370 | S.RESISTOR ERJ3GEYJ 271 V (270 Ω) | T |
| R13 | 7030003230 | S.RESISTOR ERJ3GEYJ 180 V (18 Ω) [H] only | T |
| R14 | 7030003360 | S.RESISTOR ERJ3GEYJ 221 V (220 Ω) [L], [M] | T |
| | 7030003370 | S.RESISTOR ERJ3GEYJ 271 V (270 Ω) [H] | T |
| R15 | 7030003560 | S.RESISTOR ERJ3GEYJ 103 V (10 kΩ) | T |
| R16 | 7030003660 | S.RESISTOR ERJ3GEYJ 683 V (68 kΩ) | T |
| R17 | 7030003460 | S.RESISTOR ERJ3GEYJ 152 V (1.5 kΩ) | T |
| R19 | 7030003560 | S.RESISTOR ERJ3GEYJ 103 V (10 kΩ) | T |
| R20 | 7030003510 | S.RESISTOR ERJ3GEYJ 392 V (3.9 kΩ) | T |
| R24 | 7030003680 | S.RESISTOR ERJ3GEYJ 104 V (100 kΩ) | B |
| R25 | 7030003570 | S.RESISTOR ERJ3GEYJ 123 V (12 kΩ) | B |
| R26 | 7030003560 | S.RESISTOR ERJ3GEYJ 103 V (10 kΩ) | B |
| R28 | 7030003680 | S.RESISTOR ERJ3GEYJ 104 V (100 kΩ) | B |
| R29 | 7030003580 | S.RESISTOR ERJ3GEYJ 153 V (15 kΩ) | B |
| R30 | 7030003590 | S.RESISTOR ERJ3GEYJ 183 V (18 kΩ) [L], [M] | B |
| | 7030003620 | S.RESISTOR ERJ3GEYJ 333 V (33 kΩ) [H] | B |
| R32 | 7030003710 | S.RESISTOR ERJ3GEYJ 184 V (180 kΩ) | T |
| R33 | 7030003560 | S.RESISTOR ERJ3GEYJ 103 V (10 kΩ) | B |
| R34 | 7030003640 | S.RESISTOR ERJ3GEYJ 473 V (47 kΩ) | T |
| R35 | 7030003560 | S.RESISTOR ERJ3GEYJ 103 V (10 kΩ) | B |
| R39 | 7030003600 | S.RESISTOR ERJ3GEYJ 223 V (22 kΩ) | T |
| R43 | 7030003440 | S.RESISTOR ERJ3GEYJ 102 V (1 kΩ) | T |
| R44 | 7030003640 | S.RESISTOR ERJ3GEYJ 473 V (47 kΩ) | T |

[L]: LOW BAND, [M]: MIDDLE BAND, [H]: HIGH BAND

[50PA UNIT] IC-FR4100 ONLY

| REF NO. | ORDER NO. | DESCRIPTION | M. |
|---------|------------|--|-----------|
| R45 | 7030003560 | S.RESISTOR ERJ3GEYJ 103 V (10 kΩ) | B |
| R46 | 7030000180 | S.RESISTOR MCR10EZHZJ 22 Ω (220) | T |
| R47 | 7030003320 | S.RESISTOR ERJ3GEYJ 101 V (100 Ω) | B |
| R48 | 7030003560 | S.RESISTOR ERJ3GEYJ 103 V (10 kΩ) | T |
| R50 | 7030003200 | S.RESISTOR ERJ3GEYJ 100 V (10 Ω) | T |
| R51 | 7030003680 | S.RESISTOR ERJ3GEYJ 104 V (100 kΩ) | T |
| R52 | 7030003600 | S.RESISTOR ERJ3GEYJ 223 V (22 kΩ) | T |
| R53 | 7030003450 | S.RESISTOR ERJ3GEYJ 122 V (1.2 kΩ) | T |
| R54 | 7030003320 | S.RESISTOR ERJ3GEYJ 101 V (100 Ω) | T |
| R55 | 7030003560 | S.RESISTOR ERJ3GEYJ 103 V (10 kΩ) | T |
| R56 | 7030003380 | S.RESISTOR ERJ3GEYJ 331 V (330 Ω) [L], [M] | T |
| | 7030003440 | S.RESISTOR ERJ3GEYJ 102 V (1 kΩ) [H] | T |
| R57 | 7030003640 | S.RESISTOR ERJ3GEYJ 473 V (47 kΩ) | T |
| R58 | 7030003660 | S.RESISTOR ERJ3GEYJ 683 V (68 kΩ) | T |
| R59 | 7030003630 | S.RESISTOR ERJ3GEYJ 393 V (39 kΩ) | T |
| R60 | 7030003520 | S.RESISTOR ERJ3GEYJ 472 V (4.7 kΩ) | T |
| R61 | 7510001660 | S.THRMISTOR NTCG16 4LH 473KT | T |
| R62 | 7030003480 | S.RESISTOR ERJ3GEYJ 222 V (2.2 kΩ) | T |
| R63 | 7030003480 | S.RESISTOR ERJ3GEYJ 222 V (2.2 kΩ) | T |
| R64 | 7030003700 | S.RESISTOR ERJ3GEYJ 154 V (150 kΩ) | T |
| R66 | 7030003600 | S.RESISTOR ERJ3GEYJ 223 V (22 kΩ) | T |
| R67 | 7030003660 | S.RESISTOR ERJ3GEYJ 683 V (68 kΩ) | T |
| R68 | 7030003640 | S.RESISTOR ERJ3GEYJ 473 V (47 kΩ) | T |
| R69 | 7030003320 | S.RESISTOR ERJ3GEYJ 101 V (100 Ω) | T |
| R70 | 7030003290 | S.RESISTOR ERJ3GEYJ 560 V (56 Ω) | T |
| | | [L], [M] only | |
| C1 | 4030006860 | S.CERAMIC C1608 JB 1H 102K-T | T |
| C2 | 4030006860 | S.CERAMIC C1608 JB 1H 102K-T | T |
| C3 | 4030007010 | S.CERAMIC C1608 CH 1H 100D-T | Other [L] |
| | 4030007040 | S.CERAMIC C1608 CH 1H 180J-T | T |
| C4 | 4030007040 | S.CERAMIC C1608 CH 1H 180J-T | T |
| C5 | 4030006860 | S.CERAMIC C1608 JB 1H 102K-T | T |
| C6 | 4030006850 | S.CERAMIC C1608 JB 1H 471K-T | T |
| C7 | 4030017200 | S.CERAMIC GRM31BR32J102KY01L | T |
| C8 | 4030009520 | S.CERAMIC C1608 CH 1H 020B-T | T |
| C9 | 4030009520 | S.CERAMIC C1608 CH 1H 020B-T | T |
| C10 | 4030017190 | S.CERAMIC GRM31AR32J471KW01D | T |
| C12 | 4030011050 | S.CERAMIC GRM31M3C2H3R0CY21L [M] only | T |
| C14 | 4030017890 | S.CERAMIC ERF22X 6C2H 101J D01L | T |
| C17 | 4030018290 | S.CERAMIC ERF22X 6C2H 390J D01L | T |
| C18 | 4030018050 | S.CERAMIC ERF22X 6C2H 270J D01L | T |
| C19 | 4030018050 | S.CERAMIC ERF22X 6C2H 270J D01L | T |
| C20 | 4030018170 | S.CERAMIC ERF22X 6C2H 4R0C D01L | T |
| C21 | 4030018430 | S.CERAMIC ERF22X 6C2H 6R0D D01L[M], [H] | T |
| | 4030018540 | S.CERAMIC ERF22X 6C2H 7R0D D01L [L] | T |
| C24 | 4030018030 | S.CERAMIC ERF22X 6C2H 3R0C D01L | T |
| C25 | 4030018030 | S.CERAMIC ERF22X 6C2H 3R0C D01L[M], [H] | T |
| | 4030018430 | S.CERAMIC ERF22X 6C2H 6R0D D01L [L] | T |
| C26 | 4030018450 | S.CERAMIC ERF22X 6C2H 8R0D D01L [M] | T |
| | 4030018460 | S.CERAMIC ERF22X 6C2H 100J D01L [L], [H] | T |
| C27 | 4030018420 | S.CERAMIC ERF22X 6C2H 5R0C D01L[L], [M] | T |
| C29 | 4030018420 | S.CERAMIC ERF22X 6C2H 5R0C D01L[L], [M] | T |
| C30 | 4030018450 | S.CERAMIC ERF22X 6C2H 8R0D D01L [M] | T |
| | 4030018460 | S.CERAMIC ERF22X 6C2H 100J D01L [L], [H] | T |
| C31 | 4030018030 | S.CERAMIC ERF22X 6C2H 3R0C D01L[M], [H] | T |
| | 4030018430 | S.CERAMIC ERF22X 6C2H 6R0D D01L [L] | T |
| C32 | 4030018030 | S.CERAMIC ERF22X 6C2H 3R0C D01L | T |
| C38 | 4030006860 | S.CERAMIC C1608 JB 1H 102K-T | T |
| C39 | 4030006850 | S.CERAMIC C1608 JB 1H 471K-T | T |
| C40 | 4030006860 | S.CERAMIC C1608 JB 1H 102K-T | T |
| C41 | 4510007670 | S.ELECTROLYTIC EEVHB1C100R | T |
| C42 | 4510007940 | ELECTROLYTIC KMY25VB100 [L], [M] only | T |
| C43 | 4030006850 | S.CERAMIC C1608 JB 1H 471K-T | T |
| C44 | 4030006860 | S.CERAMIC C1608 JB 1H 102K-T | T |
| C45 | 4030006850 | S.CERAMIC C1608 JB 1H 471K-T | T |
| C46 | 4030006860 | S.CERAMIC C1608 JB 1H 102K-T | T |
| C47 | 4510007960 | ELECTROLYTIC KMY25VB1000 | T |
| C48 | 4030017190 | S.CERAMIC GRM31AR32J471KW01D | T |
| C49 | 4030017200 | S.CERAMIC GRM31BR32J102KY01L | T |
| C55 | 4030006860 | S.CERAMIC C1608 JB 1H 102K-T | T |
| C56 | 4030009520 | S.CERAMIC C1608 CH 1H 020B-T | T |
| C57 | 4030006860 | S.CERAMIC C1608 JB 1H 102K-T | T |
| C58 | 4030011600 | S.CERAMIC C1608 JB 1E 104K-T | T |
| C59 | 4030006860 | S.CERAMIC C1608 JB 1H 102K-T | T |
| C60 | 4030006860 | S.CERAMIC C1608 JB 1H 102K-T | T |
| C61 | 4510007690 | ELECTROLYTIC LXZ25VB2200 | T |
| C62 | 4030007170 | S.CERAMIC C1608 CH 1H 221J-T | B |
| C64 | 4030007170 | S.CERAMIC C1608 CH 1H 221J-T | B |
| C65 | 4030009530 | S.CERAMIC C1608 CH 1H 030B-T [L], [M] only | B |
| C66 | 4030009520 | S.CERAMIC C1608 CH 1H 020B-T | T |
| C68 | 4030006860 | S.CERAMIC C1608 JB 1H 102K-T | T |
| C69 | 4510007570 | S.ELECTROLYTIC EEVHB1C220UR | T |
| C70 | 4030007170 | S.CERAMIC C1608 CH 1H 221J-T | T |
| C71 | 4030006860 | S.CERAMIC C1608 JB 1H 102K-T | T |
| C72 | 4030006860 | S.CERAMIC C1608 JB 1H 102K-T | T |
| C73 | 4030006860 | S.CERAMIC C1608 JB 1H 102K-T | T |

M.=Mounted side (T: Mounted on the Top side, B: Mounted on the Bottom side) S.=Surface mount

[50PA UNIT] IC-FR4000 ONLY

| REF NO. | ORDER NO. | DESCRIPTION | | M. |
|---------|------------|----------------|----------------------------------|-----------------|
| C74 | 4030006860 | S.CERAMIC | C1608 JB 1H 102K-T | T |
| C75 | 4030006850 | S.CERAMIC | C1608 JB 1H 471K-T | B |
| C76 | 4030006850 | S.CERAMIC | C1608 JB 1H 471K-T | B |
| C80 | 4030006860 | S.CERAMIC | C1608 JB 1H 102K-T | T |
| C81 | 4030006860 | S.CERAMIC | C1608 JB 1H 102K-T | T |
| C83 | 4030007130 | S.CERAMIC | C1608 CH 1H 101J-T | T |
| C85 | 4030018290 | S.CERAMIC | ERF22X 6C2H 390J D01L | T |
| C86 | 4030018450 | S.CERAMIC | ERF22X 6C2H 8R0D D01L | T |
| C87 | 4030018430 | S.CERAMIC | ERF22X 6C2H 8R0D D01L | [H] T |
| | 4030018450 | S.CERAMIC | ERF22X 6C2H 8R0D D01L | [M] T |
| | 4030018540 | S.CERAMIC | ERF22X 6C2H 7R0D D01L | [L] T |
| C88 | 4030009500 | S.CERAMIC | C1608 CH 1H 0R5B-T | B |
| C89 | 4030009530 | S.CERAMIC | C1608 CH 1H 030B-T | B |
| C90 | 4030006850 | S.CERAMIC | C1608 JB 1H 471K-T | T |
| C91 | 4030006860 | S.CERAMIC | C1608 JB 1H 102K-T | T |
| C93 | 4030006850 | S.CERAMIC | C1608 JB 1H 471K-T | T |
| C94 | 4030006860 | S.CERAMIC | C1608 JB 1H 102K-T | T |
| C95 | 4030006850 | S.CERAMIC | C1608 JB 1H 471K-T | T |
| C96 | 4030006860 | S.CERAMIC | C1608 JB 1H 102K-T | T |
| C97 | 4510007940 | ELECTROLYTIC | KMY25VB100 | T |
| C98 | 4030011730 | S.CERAMIC | GRM31M2C2H101JV01L | T |
| C99 | 4510007570 | S.ELECTROLYTIC | EEVHB1C220UR | T |
| C100 | 4030006860 | S.CERAMIC | C1608 JB 1H 102K-T | T |
| C101 | 4030006860 | S.CERAMIC | C1608 JB 1H 102K-T | B |
| C102 | 4030006860 | S.CERAMIC | C1608 JB 1H 102K-T | B |
| C103 | 4030011600 | S.CERAMIC | C1608 JB 1E 104K-T | T |
| C104 | 4510007570 | S.ELECTROLYTIC | EEVHB1C220UR | T |
| C105 | 4030006850 | S.CERAMIC | C1608 JB 1H 471K-T | T |
| C106 | 4030006850 | S.CERAMIC | C1608 JB 1H 471K-T | T |
| C107 | 4030006900 | S.CERAMIC | C1608 JB 1H 103K-T | B |
| C108 | 4030006900 | S.CERAMIC | C1608 JB 1H 103K-T | B |
| C109 | 4510007670 | S.ELECTROLYTIC | EEVHB1C100R | T |
| C110 | 4510007670 | S.ELECTROLYTIC | EEVHB1C100R | T |
| C111 | 4030006860 | S.CERAMIC | C1608 JB 1H 102K-T | T |
| C112 | 4030017890 | S.CERAMIC | ERF22X 6C2H 101J D01L | T |
| C113 | 4550006250 | S.TANTALUM | TEESVA 1A 106M8L | T |
| C119 | 4030018170 | S.CERAMIC | ERF22X 6C2H 4R0C D01L | [H] T |
| | 4030018410 | S.CERAMIC | ERF22X 6C2H 2R0C D01L | [L], [M] T |
| C125 | 4030018470 | S.CERAMIC | ERF22X 6C2H 220J D01L | T |
| C126 | 4030018470 | S.CERAMIC | ERF22X 6C2H 220J D01L | T |
| C134 | 4030017490 | S.CERAMIC | C1608 JB 1A 105K-T | T |
| C135 | 4030010760 | S.CERAMIC | C1608 CH 1H 331J-T [L], [M] only | T |
| J1 | 6510022800 | S.CONNECTOR | B10B-PH-SM3-TB | T |
| J2 | 6510007020 | CONNECTOR | TMP-J01X-V6 | T |
| J5 | 6510021390 | CONNECTOR | IMSA-9230B-1-03Z024-T | T |
| T2 | 5910001000 | TRANSFORMER | TC-7 | T |
| W2 | 7030003860 | S.RESISTOR | ERJ3GE JPW V | T |
| W3 | 7030003860 | S.RESISTOR | ERJ3GE JPW V | B |
| W4 | 7030003860 | S.RESISTOR | ERJ3GE JPW V | [H] only B |
| W5 | 7030003860 | S.RESISTOR | ERJ3GE JPW V | T |
| W6 | 7030003860 | S.RESISTOR | ERJ3GE JPW V | T |
| W10 | 7030003860 | S.RESISTOR | ERJ3GE JPW V | T |
| W11 | 7030003860 | S.RESISTOR | ERJ3GE JPW V | [L], [M] only T |
| W12 | 7030003860 | S.RESISTOR | ERJ3GE JPW V | [L], [M] only T |
| W13 | 7030003860 | S.RESISTOR | ERJ3GE JPW V | [H] only T |
| W14 | 7030003860 | S.RESISTOR | ERJ3GE JPW V | [L], [M] only T |
| EP1 | 6910014490 | TERMINAL | OP-100 M3 | T |
| EP2 | 6910014490 | TERMINAL | OP-100 M3 | T |
| EP3 | 0910056178 | PCB | B 5663H | T |

[L]: LOW BAND, [M]: MIDDLE BAND, [H]: HIGH BAND

[VARISTOR UNIT] IC-FR4000 ONLY

| REF NO. | ORDER NO. | DESCRIPTION | | M. |
|---------|------------|-------------|----------------|----|
| D1 | 1790000720 | DIODE | MA29W-B | T |
| EP1 | 6910012350 | S.BEAD | MMZ1608Y 102BT | B |
| EP2 | 0910056182 | PCB | B 5662B | |

[JACK1 UNIT]

| REF NO. | ORDER NO. | DESCRIPTION | | M. |
|---------|------------|-------------|----------------------------------|----|
| L1 | 6200009940 | S.COIL | BLM21PG221SN1 | T |
| L2 | 6200009940 | S.COIL | BLM21PG221SN1 | T |
| L3 | 6200009940 | S.COIL | BLM21PG221SN1 | T |
| L4 | 6200009940 | S.COIL | BLM21PG221SN1 | T |
| L5 | 6200009940 | S.COIL | BLM21PG221SN1 | T |
| L6 | 6200009940 | S.COIL | BLM21PG221SN1 | T |
| L7 | 6200009940 | S.COIL | BLM21PG221SN1 | T |
| L8 | 6200009940 | S.COIL | BLM21PG221SN1 | T |
| R1 | 7540000210 | S.ABSORBER | KU15N14-4063 | T |
| R2 | 7540000210 | S.ABSORBER | KU15N14-4063 | T |
| R3 | 7540000210 | S.ABSORBER | KU15N14-4063 | T |
| R4 | 7540000210 | S.ABSORBER | KU15N14-4063 | T |
| R5 | 7540000210 | S.ABSORBER | KU15N14-4063 | T |
| R6 | 7540000210 | S.ABSORBER | KU15N14-4063 | T |
| R7 | 7540000210 | S.ABSORBER | KU15N14-4063 | T |
| R8 | 7540000210 | S.ABSORBER | KU15N14-4063 | T |
| R9 | 7540000210 | S.ABSORBER | KU15N14-4063 | T |
| R10 | 7540000210 | S.ABSORBER | KU15N14-4063 | T |
| C1 | 4030007170 | S.CERAMIC | C1608 CH 1H 221J-T | B |
| C2 | 4030007170 | S.CERAMIC | C1608 CH 1H 221J-T | B |
| C3 | 4030007170 | S.CERAMIC | C1608 CH 1H 221J-T | B |
| C4 | 4030007170 | S.CERAMIC | C1608 CH 1H 221J-T | B |
| C5 | 4030007170 | S.CERAMIC | C1608 CH 1H 221J-T | B |
| C6 | 4030007170 | S.CERAMIC | C1608 CH 1H 221J-T | B |
| C7 | 4030007170 | S.CERAMIC | C1608 CH 1H 221J-T | B |
| C8 | 4030007170 | S.CERAMIC | C1608 CH 1H 221J-T | B |
| C9 | 4030007170 | S.CERAMIC | C1608 CH 1H 221J-T | B |
| C10 | 4030007170 | S.CERAMIC | C1608 CH 1H 221J-T | B |
| C11 | 4030007090 | S.CERAMIC | C1608 CH 1H 470J-T | T |
| C12 | 4030007090 | S.CERAMIC | C1608 CH 1H 470J-T [FR4100] only | T |
| C13 | 4030007090 | S.CERAMIC | C1608 CH 1H 470J-T [FR4100] only | T |
| C14 | 4030006860 | S.CERAMIC | C1608 JB 1H 102K-T [FR4100] only | T |
| J1 | 6450001650 | CONNECTOR | HSJ0836-01-500 | T |
| J2 | 6510016170 | CONNECTOR | 52018-8835 | T |
| J3 | 6510022730 | S.CONNECTOR | S13B-PH-SM3-TB | T |
| EP1 | 0910056113 | PCB | B 5655C [FR4000] | |
| | 0910057031 | PCB | B 6000A [FR4100] | |

M.=Mounted side (T: Mounted on the Top side, B: Mounted on the Bottom side) S.=Surface mount

[JACK2 UNIT]

| REF NO. | ORDER NO. | DESCRIPTION | | M. |
|---------|------------|-------------|--------------------|----------|
| D1 | 1750000930 | S.DIODE | NNCD8.2C-T1 | T |
| D2 | 1750000930 | S.DIODE | NNCD8.2C-T1 | T |
| D3 | 1750000930 | S.DIODE | NNCD8.2C-T1 | T |
| D4 | 1750000930 | S.DIODE | NNCD8.2C-T1 | T |
| D5 | 1750000930 | S.DIODE | NNCD8.2C-T1 | T |
| D6 | 1750000930 | S.DIODE | NNCD8.2C-T1 | T |
| D11 | 1750000930 | S.DIODE | NNCD8.2C-T1 | B |
| D12 | 1750000930 | S.DIODE | NNCD8.2C-T1 | B |
| D13 | 1750000930 | S.DIODE | NNCD8.2C-T1 | B |
| D14 | 1750000930 | S.DIODE | NNCD8.2C-T1 | B |
| D15 | 1750000930 | S.DIODE | NNCD8.2C-T1 | B |
| D16 | 1750000930 | S.DIODE | NNCD8.2C-T1 | B |
| D17 | 1750000930 | S.DIODE | NNCD8.2C-T1 | B |
| D18 | 1750000930 | S.DIODE | NNCD8.2C-T1 | B |
| D19 | 1750000930 | S.DIODE | NNCD8.2C-T1 | B |
| D20 | 1750000930 | S.DIODE | NNCD8.2C-T1 | B |
| D21 | 1750000930 | S.DIODE | NNCD8.2C-T1 | B |
| D22 | 1750000930 | S.DIODE | NNCD8.2C-T1 | B |
| D23 | 1750000930 | S.DIODE | NNCD8.2C-T1 | B |
| | | | | |
| L1 | 6200009940 | S.COIL | BLM21PG221SN1 | B |
| L2 | 6200009940 | S.COIL | BLM21PG221SN1 | B |
| L3 | 6200009940 | S.COIL | BLM21PG221SN1 | B |
| L4 | 6200009940 | S.COIL | BLM21PG221SN1 | B |
| L5 | 6200009940 | S.COIL | BLM21PG221SN1 | B |
| L6 | 6200009940 | S.COIL | BLM21PG221SN1 | B |
| L11 | 6200009940 | S.COIL | BLM21PG221SN1 | T |
| L12 | 6200009940 | S.COIL | BLM21PG221SN1 | T |
| L13 | 6200009940 | S.COIL | BLM21PG221SN1 | T |
| L14 | 6200009940 | S.COIL | BLM21PG221SN1 | T |
| L15 | 6200009940 | S.COIL | BLM21PG221SN1 | T |
| L16 | 6200009940 | S.COIL | BLM21PG221SN1 | T |
| L17 | 6200009940 | S.COIL | BLM21PG221SN1 | T |
| L18 | 6200009940 | S.COIL | BLM21PG221SN1 | T |
| L19 | 6200009940 | S.COIL | BLM21PG221SN1 | T |
| L20 | 6200009940 | S.COIL | BLM21PG221SN1 | T |
| L21 | 6200009940 | S.COIL | BLM21PG221SN1 | T |
| L22 | 6200009940 | S.COIL | BLM21PG221SN1 | T |
| L23 | 6200009940 | S.COIL | BLM21PG221SN1 | T |
| | | | | |
| C1 | 4030007090 | S.CERAMIC | C1608 CH 1H 470J-T | T |
| C2 | 4030007090 | S.CERAMIC | C1608 CH 1H 470J-T | T |
| C3 | 4030007090 | S.CERAMIC | C1608 CH 1H 470J-T | T |
| C4 | 4030007090 | S.CERAMIC | C1608 CH 1H 470J-T | T |
| C5 | 4030007090 | S.CERAMIC | C1608 CH 1H 470J-T | T |
| C6 | 4030007170 | S.CERAMIC | C1608 CH 1H 221J-T | T |
| C8 | 4030007170 | S.CERAMIC | C1608 CH 1H 221J-T | T |
| C11 | 4030007170 | S.CERAMIC | C1608 CH 1H 221J-T | B |
| C12 | 4030007170 | S.CERAMIC | C1608 CH 1H 221J-T | B |
| C13 | 4030007170 | S.CERAMIC | C1608 CH 1H 221J-T | B |
| C14 | 4030007170 | S.CERAMIC | C1608 CH 1H 221J-T | B |
| C15 | 4030007170 | S.CERAMIC | C1608 CH 1H 221J-T | B |
| C16 | 4030007170 | S.CERAMIC | C1608 CH 1H 221J-T | B |
| C17 | 4030007170 | S.CERAMIC | C1608 CH 1H 221J-T | B |
| C18 | 4030007170 | S.CERAMIC | C1608 CH 1H 221J-T | B |
| C19 | 4030007170 | S.CERAMIC | C1608 CH 1H 221J-T | B |
| C20 | 4030007170 | S.CERAMIC | C1608 CH 1H 221J-T | B |
| C21 | 4030007170 | S.CERAMIC | C1608 CH 1H 221J-T | B |
| C22 | 4030007170 | S.CERAMIC | C1608 CH 1H 221J-T | B |
| C23 | 4030007170 | S.CERAMIC | C1608 CH 1H 221J-T | B |
| | | | | |
| J1 | 6510023290 | CONNECTOR | DBR61-25K1200-B | T |
| J2 | 6510022730 | S.CONNECTOR | S13B-PH-SM3-TB | T |
| J3 | 6510022730 | S.CONNECTOR | S13B-PH-SM3-TB | B |
| | | | | |
| EP1 | 0910056124 | PCB | B 5656D | [FR4000] |
| | 0910057041 | PCB | B 6001A | [FR4100] |

[VR UNIT]

| REF NO. | ORDER NO. | DESCRIPTION | | M. |
|---------|------------|-------------|----------------|------------|
| R1 | 7210003110 | VARIABLE | RK0971110 10KA | T |
| R2 | 7210003120 | VARIABLE | RK0971110 10KB | T |
| | | | | |
| J1 | 6510018950 | S.CONNECTOR | B7B-PH-SM3-TB | T |
| | | | | |
| W1 | 7030003860 | S.RESISTOR | ERJ3GE JPW V | [FR4100] T |
| W2 | 7030003860 | S.RESISTOR | ERJ3GE JPW V | [FR4100] T |
| | | | | |
| EP1 | 0910056094 | PCB | B 5653D | |

[CHASSIS UNIT]

| REF NO. | ORDER NO. | DESCRIPTION | | M. |
|---------|------------|-------------|--------------------------------|---------------|
| J1 | 6510022970 | CONNECTOR | N-PA-JJ (NI) | |
| | | | | |
| SP1 | 2510001200 | SPEAKER | C057FA510-10 | |
| | | | | |
| MF1 | 2710000750 | FAN | FBA08A12LZ | |
| MF2 | 2710000740 | FAN | FBA06A12L | [FR4000] only |
| | | | | |
| W1 | 8900011510 | CABLE | OPC-1048 (AC INPUT CABLE) | |
| W2 | 8900011521 | CABLE | OPC-1049A (POWER SW CABLE) | |
| W3 | 8900011531 | CABLE | OPC-1050A (BACKUP DC CABLE) | |
| W4 | 8900011540 | CABLE | OPC-1052 (PS OUTPUT CABLE) | |
| W5 | 8900011550 | CABLE | OPC-1053 (REG-LOGIC CABLE) | |
| W6 | 8900011560 | CABLE | OPC-1054 (PA-TX CABLE) | |
| W7 | 8900011571 | CABLE | OPC-1055A (LOGIC-JACK2 CABLEA) | |
| W8 | 8900011580 | CABLE | OPC-1056 (LOGIC-JACK2 CABLEB) | |
| W9 | 8900011590 | CABLE | OPC-1057 (LOGIC-JACK1 CABLE) | |
| W10 | 8900011600 | CABLE | OPC-1058 (REG-PA CABLE RED) | |
| W11 | 8900011610 | CABLE | OPC-1059 (REG-PA CABLE BLK) | |
| W12 | 8900011620 | CABLE | OPC-1065 (RX-ANT CABLE) | |
| W13 | 8900011632 | CABLE | OPC-1066B (TX-ANT CABLE) | |
| W14 | 8900012310 | CABLE | OPC-1265 (REG-FAN/TUBE) | |
| W15 | 8900011660 | CABLE | OPC-1178 (PA-FAN CABLE) | [FR4000] only |
| W16 | 8900011681 | CABLE | OPC-1183A (LOGIC-VR CABLE) | |
| W17 | 8900011690 | CABLE | OPC-1184 (LOGIC-FRONT CABLE) | |
| | | | | |
| WS1 | 8600036930 | | SX2368 P01CH | |
| WS2 | 8970024130 | | FX2367 J LEAD SET (1) /CH | [FR4100] only |
| | | | | |
| EP1 | 6910014470 | UNIT BOARD | FP2152A | [100-120V] |
| EP1 | 6910014480 | UNIT BOARD | FP2153A | [220-240V] |
| EP4 | 6910008330 | E.OTHER | G80-18 | |
| EP5 | 8930030420 | COVER | FG60B | |
| EP6 | 6910011960 | BEAD | ZCAT1518-0730 | [FR4100] only |

[L]: LOW BAND, [M]: MIDDLE BAND, [H]: HIGH BAND

M.=Mounted side (T: Mounted on the Top side, B: Mounted on the Bottom side)
S.=Surface mount

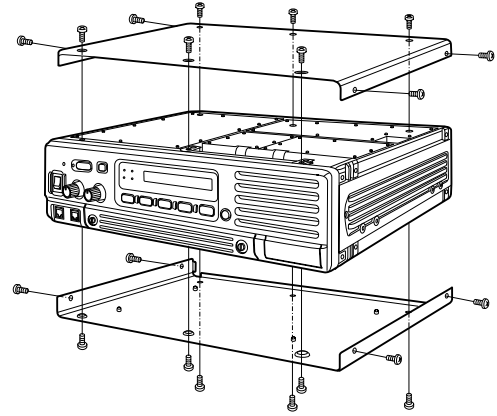
SECTION 6 OPTION UNIT INSTALLATION

6-1 Opening the repeater's case

Follow the case and cover opening procedures shown here when an optional unit is installed or adjust the internal units, etc.

CAUTION: DISCONNECT the AC power cable and/or DC power cable from the repeater. Otherwise, there is danger of electric shock and/or equipment damage.

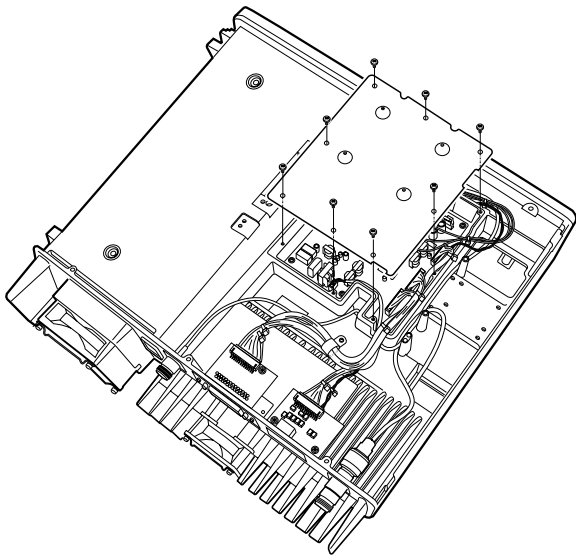
- ① Remove 6 screws from the top of the repeater and 4 screws from the sides, then lift up the top cover.
- ② Turn the repeater upside down.
- ③ Remove 6 screws from the bottom of the repeater, and 4 screws from the sides, then lift up the bottom cover.



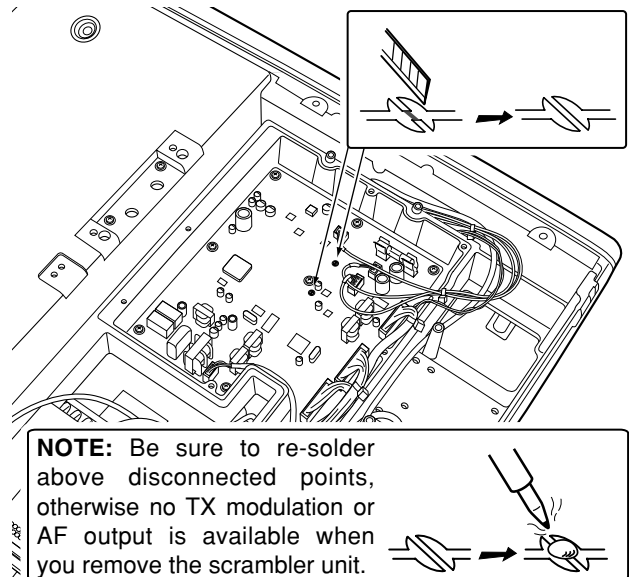
6-2 Voice scrambler unit installation

The UT-109 (#01)/UT-110 (#01) provides high performance private communication for base operating mode. In order to receive or send scrambled transmissions, the UT-109 (#01)/UT-110 (#01) must be installed and to activate the scrambler function.

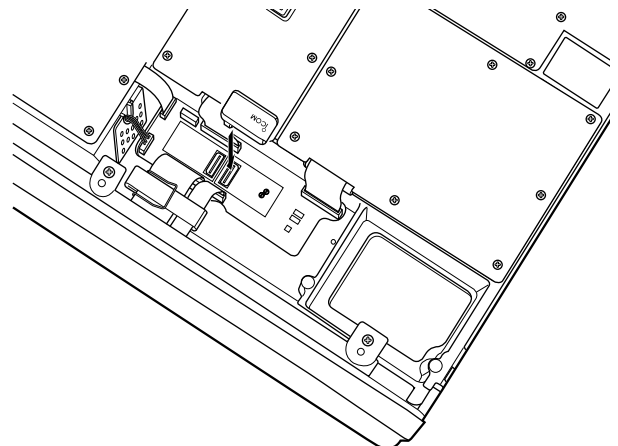
- ① Remove the top and bottom covers as shown above.
- ② Remove 8 screws from the LOGIC shielding plate, then remove the plate.



- ③ Cut the pattern on the PCB at the RX AF circuit (CP1) and TX mic circuit (CP2) on the LOGIC unit as shown at right.



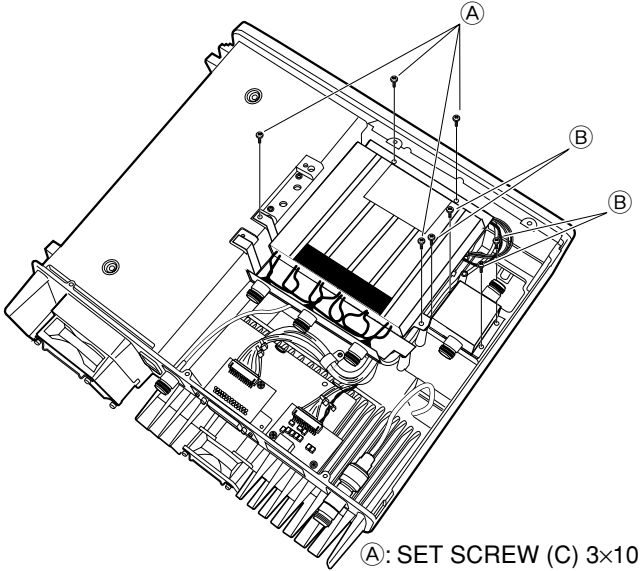
- ④ Turn the repeater upside down, then install the scrambler unit as shown below.



- ⑤ Return the LOGIC shielding plate, top and bottom covers to their original positions.

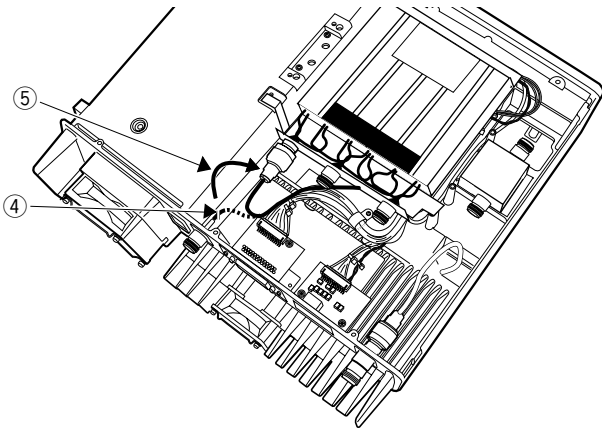
6-3 Duplexer and isolater installation

- ① Remove the top and bottom covers (See page 6-1).
- ② Tighten 4 screws, (A), for installing the duplexer unit.
- ③ Tighten 4 screws, (B), for installing the isolater unit.

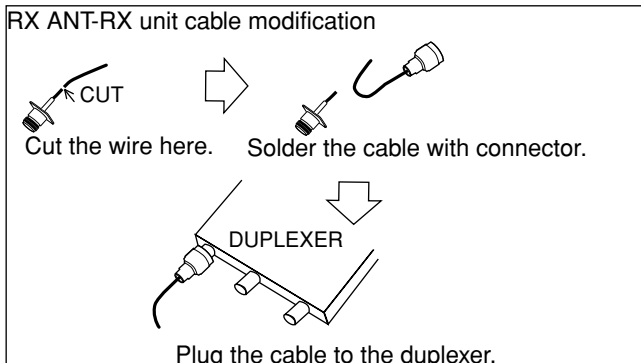


BOTTOM VIEW OF THE REPEATER

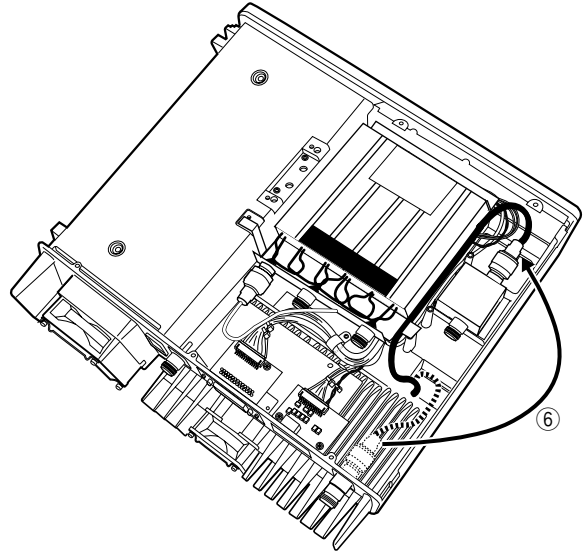
- ④ Cut the RX ANT-RX unit cable and then modify it.
- ⑤ Connect the modified cable to the duplexer unit (RX frequency connector).



BOTTOM VIEW OF THE REPEATER

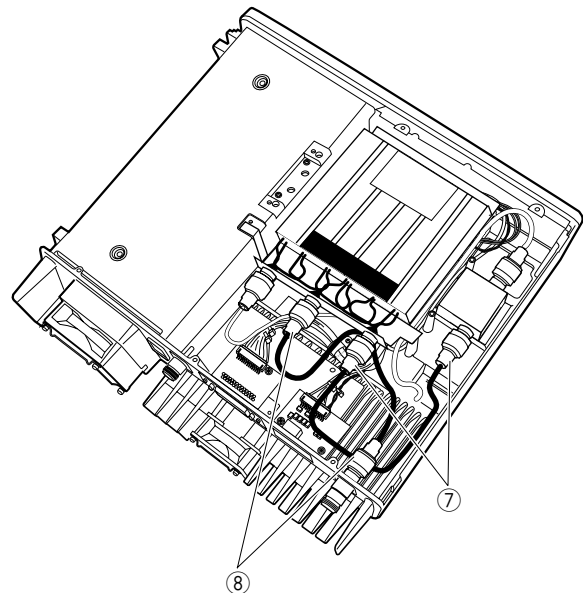


- ⑥ Unplug the TX ANT-PA unit cable from the TX ANT connector (CHASSIS), and then plug to the isolater (input connector).



BOTTOM VIEW OF THE REPEATER

- ⑦ Connect the *cable between the isolater (output connector) and the duplexer (TX frequency connector).
- ⑧ Connect the *cable between the duplexer (ANT connector) and the TX ANT connector (CHASSIS).
- ⑨ Return the top and bottom cover to their original position.



BOTTOM VIEW OF THE REPEATER

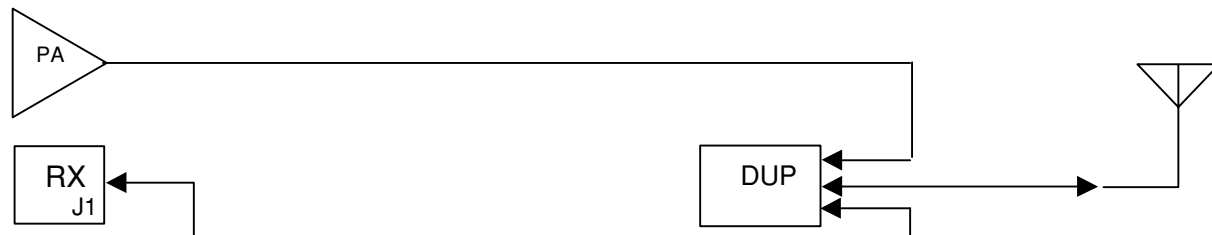
***NOTE:** Connection cable are not supply with the isolater and the duplexer. Therefore, need to make them by yourself.

CONNECTION

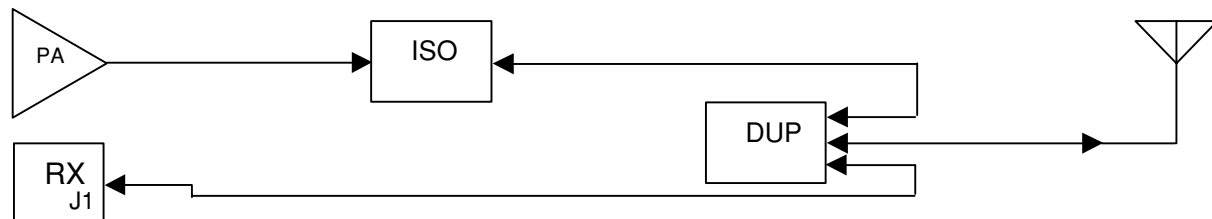
EXAMPLE 1 : ISOLATER CONNECTION



EXAMPLE 2 : DUPLEXER CONNECTION



EXAMPLE 3 : DUPLEXER AND ISOLATER CONNECTION



ISO: ISOLATER DUP: DUPLEXER

SECTION 7 MECHANICAL PARTS AND DISASSEMBLY

[CHASSIS PARTS]

| REF NO. | ORDER NO. | DESCRIPTION | QTY. |
|---------|------------|----------------------------------|------|
| W2 | 8900011521 | OPC-1049A (Power SW cable) | 1 |
| W7 | 8900011571 | OPC-1055A (LOGIC-JACK2 cable A) | 1 |
| W8 | 8900011580 | OPC-1056 (LOGIC-JACK2 cable B) | 1 |
| W9 | 8900011590 | OPC-1057 (LOGIC-JACK1 cable) | 1 |
| W16 | 8900011681 | OPC-1183A (LOGIC-VR cable) | 1 |
| W17 | 8900011690 | OPC-1184 (LOGIC-FRONT cable) | 1 |
| MP1 | 8210018310 | 2368 front panel | 1 |
| MP2 | 8310052480 | 2368 window plate | 1 |
| MP3 | 8930056450 | 2368 6-key | 1 |
| MP4 | 8930056440 | 2368 2-key | 1 |
| MP5 | 8210018300 | 2368 sub panel | 1 |
| MP6 | 8930058000 | 2368 filter net | 1 |
| MP8 | 8930059660 | 2368 A-sponge | 1 |
| MP9 | 8930059670 | 2368 B-sponge | 1 |
| MP10 | 8930059650 | 2368 front sheet | 1 |
| MP11 | 8860001290 | Grip ring NO.3 | 2 |
| MP12 | 8820001230 | 2368 screw | 2 |
| MP14 | 8610009760 | Knob N233 | 1 |
| MP15 | 8610009760 | Knob N233 | 1 |
| MP16 | 8010018550 | 2368 sub chassis | 1 |
| MP17 | 8010018542 | 2368 chassis-2 | 1 |
| MP19 | 8110007480 | 2368 L-cover | 1 |
| MP20 | 8930057680 | Rubber stand (O) | 4 |
| MP25 | 8110007640 | 2368 LOGIC shield cover | 1 |
| MP26 | 8930056620 | 2368 D-sub plate | 1 |
| MP27 | 8930059060 | 2368 Fin cover Y656 | 1 |
| MP37 | 8950003170 | Nylon clip SL-8N | 1 |
| MP56 | 8810007230 | Set screw H M3 × 8 | 2 |
| MP57 | 8810007230 | Set screw H M3 × 8 | 1 |
| MP65 | 8810008450 | Bind screw M4 × 8 ZK | 10 |
| MP66 | 8810005710 | Screw PH B0 M2 × 6 ZK | 4 |
| MP67 | 8810005710 | Screw PH B0 M2 × 6 ZK | 2 |
| MP68 | 8810009650 | Screw FH BT M3 × 8 NI-ZU | 6 |
| MP69 | 8810008660 | Screw PH BT M3 × 8 NI-ZU | 8 |
| MP77 | 8810008660 | Screw PH BT M3 × 8 NI-ZU | 8 |
| MP82 | 8810008660 | Screw PH BT M3 × 8 NI-ZU | 4 |
| MP84 | 8810008660 | Screw PH BT M3 × 8 NI-ZU | 7 |
| MP85 | 8810008660 | Screw PH BT M3 × 8 NI-ZU | 9 |
| MP86 | 8810008660 | Screw PH BT M3 × 8 NI-ZU | 2 |
| MP87 | 8810008660 | Screw PH BT M3 × 8 NI-ZU | 1 |
| MP91 | 8810008660 | Screw PH BT M3 × 8 NI-ZU | 2 |
| MP92 | 8810008660 | Screw PH BT M3 × 8 NI-ZU | 1 |
| MP101 | 8930018620 | Himelon sheet Y | 4 |
| MP102 | 8930047050 | Himelon sheet (BU) | 4 |
| MP106 | 8930007510 | Knob spring NO.7800 | 1 |
| MP107 | 8930007510 | Knob spring NO.7800 | 1 |
| MP110 | 8930035380 | Aluminum sheet (U) [FR4100] only | 1 |
| MP111 | 8930025070 | Sponge (CW) [FR4100] only | 2 |
| MP118 | 8930038640 | Himelon sheet (BF) [FR4100] only | 1 |
| SP1 | 2510001200 | Speaker C057FA510-10 | 1 |

[FRONT UNIT]

| REF NO. | ORDER NO. | DESCRIPTION | QTY. |
|---------|------------|--------------|------|
| EP2 | 6910014560 | Spacer LM-15 | 1 |
| EP3 | 6910014550 | Spacer LM-13 | 1 |
| EP4 | 6910014540 | Spacer LM-10 | 1 |
| EP5 | 6910014540 | Spacer LM-10 | 1 |
| EP6 | 6910014540 | Spacer LM-10 | 1 |
| EP7 | 6910014540 | Spacer LM-10 | 1 |

[LOGIC UNIT]

| REF NO. | ORDER NO. | DESCRIPTION | QTY. |
|---------|------------|-------------------------------|------|
| EP4 | 6910015390 | FRC27-12-1.3 [FR4100] only | 1 |
| EP5 | 6910015390 | FRC27-12-1.3 [FR4100] only | 1 |
| EP6 | 6910014890 | FRC-WC1 [FR4100] only | 1 |
| EP7 | 6910014890 | FRC-WC1 [FR4100] only | 1 |
| F1 | 5210000030 | Fuse FGB 1A (FGB0 125V) | 1 |
| F2 | 5220000020 | Fuse holder S-N5051 | 1 |
| F3 | 5220000020 | Fuse holder S-N5051 | 1 |
| W3 | 8900008940 | Cable OPC-886 (P=1 N=10 L=75) | 1 |
| W4 | 8900009230 | Cable OPC-908 (P=1 N=10 L=60) | 1 |
| W5 | 8900008740 | Cable OPC-867 (P=1 N=24 L=60) | 1 |
| W10 | 8900009270 | Cable OPC-912 (P=1 N=22 L=70) | 1 |
| W11 | 8900009270 | Cable OPC-912 (P=1 N=22 L=70) | 1 |

[JACK2 UNIT]

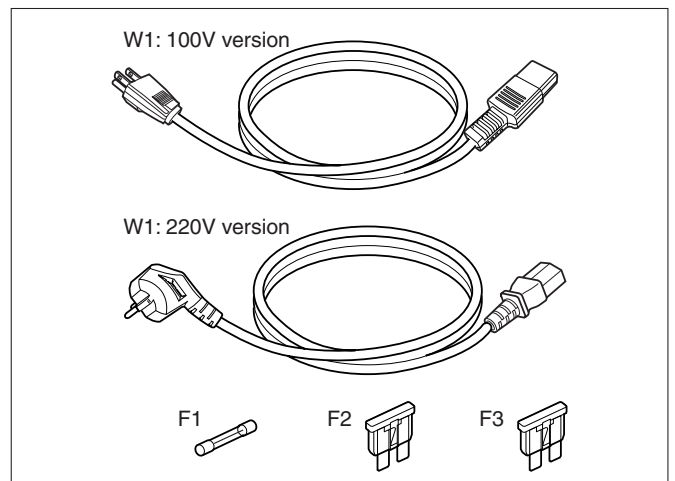
| REF NO. | ORDER NO. | DESCRIPTION | QTY. |
|---------|------------|---------------------------|------|
| J1 | 6510023290 | Connector DBR61-25K1200-B | 1 |

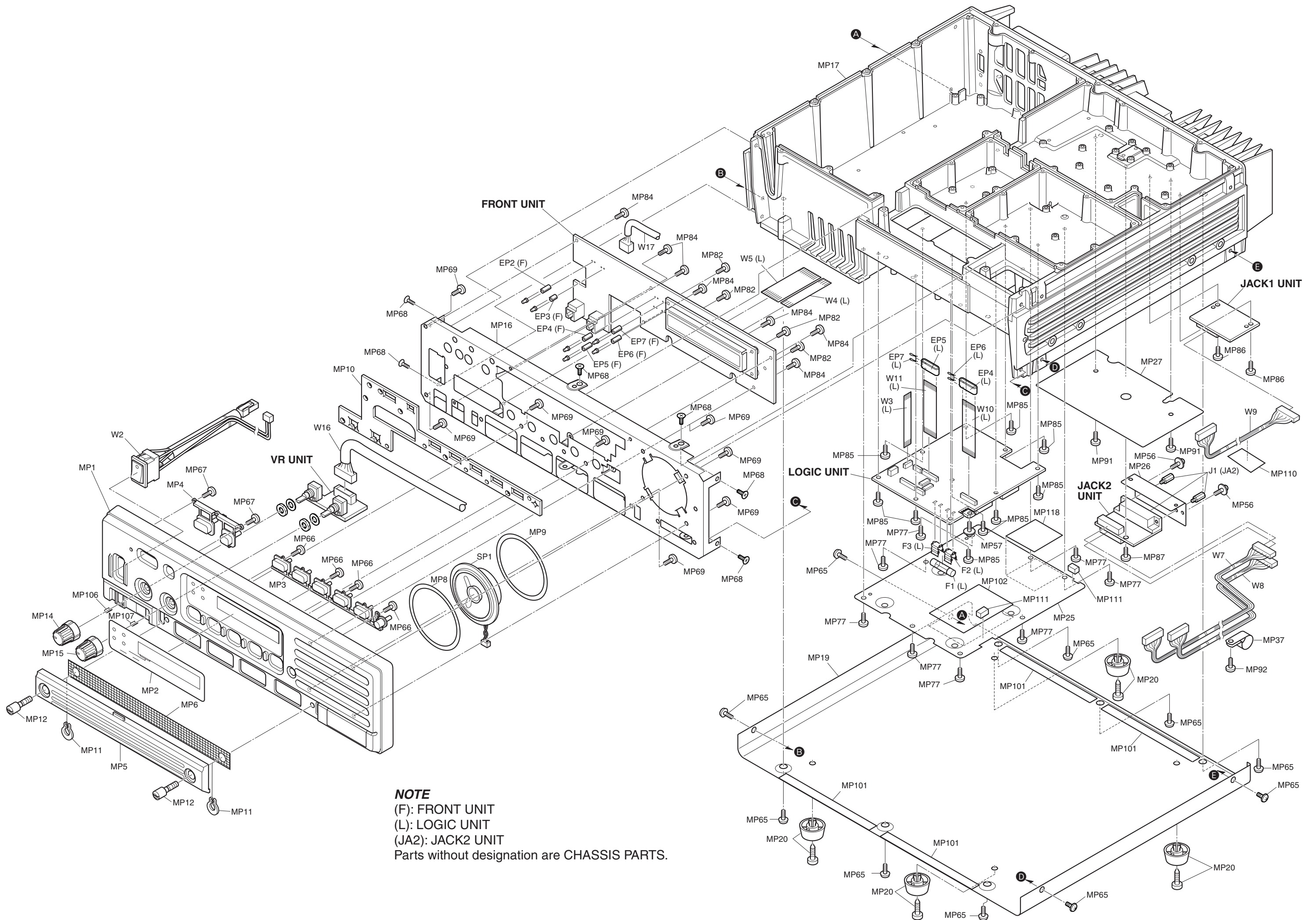
Screw abbreviations

B0, BT: Self-tapping PH: Pan head
NI-ZU: Nickel-Zinc ZK: Black

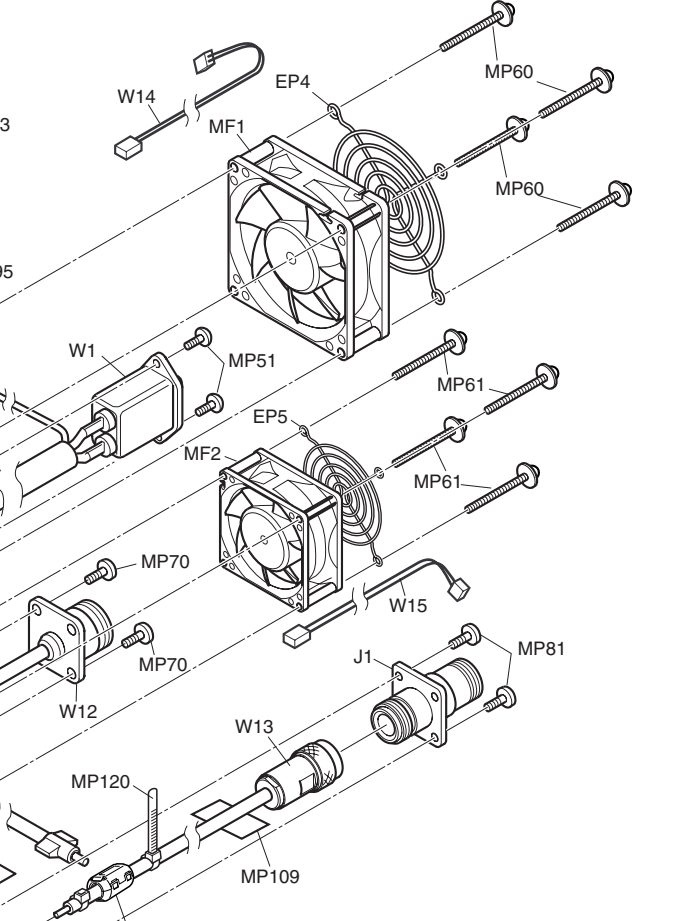
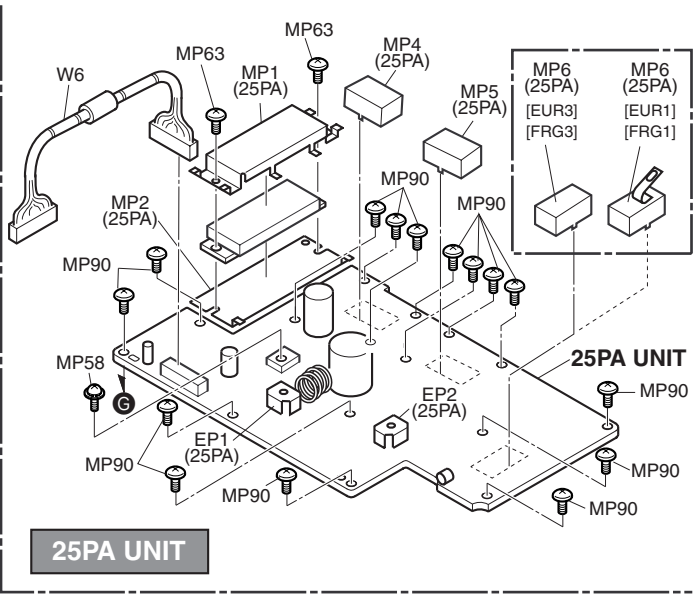
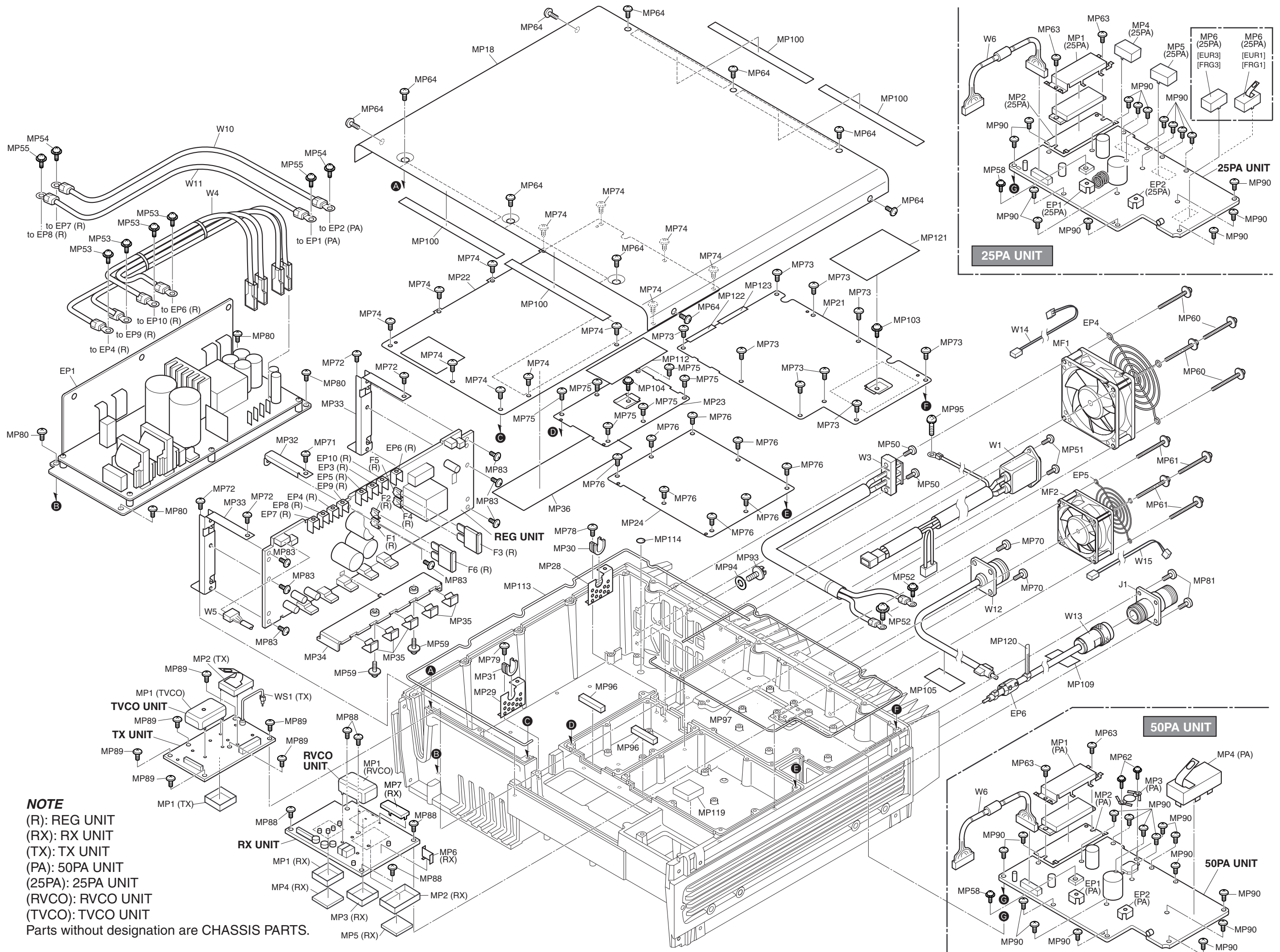
[ACCESSORIES]

| REF NO. | ORDER NO. | DESCRIPTION | QTY. |
|---------|------------|------------------------------|------|
| F1 | 5210000030 | Fuse FGB 1A (FGB0 125V) | 1 |
| F2 | 5210000850 | Fuse ATC-20 | 1 |
| F3 | 5210000850 | Fuse ATC-20 | 1 |
| W1 | 8900005130 | Cable OPC-492 (220V version) | 1 |
| | 8900005250 | Cable OPC-510 (100V version) | 1 |





NOTE
 (F): FRONT UNIT
 (L): LOGIC UNIT
 (JA2): JACK2 UNIT
 Parts without designation are CHASSIS PARTS.



[CHASSIS PARTS]

| REF NO. | ORDER NO. | DESCRIPTION | QTY. |
|---------|------------|--|------|
| J1 | 6510022970 | Connector N-PA-JJ(NI) | 1 |
| W1 | 8900011510 | OPC-1048 (AC input cable) | 1 |
| W2 | 8900011521 | OPC-1049A (Power SW cable) | 1 |
| W3 | 8900011531 | OPC-1050A (Back up DC cable) | 1 |
| W4 | 8900011540 | OPC-1052 (PS output cable) | 1 |
| W5 | 8900011550 | OPC-1053 (REG-LOGIC cable) | 1 |
| W6 | 8900011560 | OPC-1054 (PA-TX cable) | 1 |
| W10 | 8900011600 | OPC-1058 (REG-PA cable red) | 1 |
| W11 | 8900011610 | OPC-1059 (REG-PA cable black) | 1 |
| W12 | 8900011620 | OPC-1065 (RX-ANT cable) | 1 |
| W13 | 8900011632 | OPC-1066B (TX-ANT cable) | 1 |
| W14 | 8900012310 | OPC-1178 (REG-FAN tube) | 1 |
| W15 | 8900011660 | OPC-1178 (PA-FAN cable) [FR4000] only | 1 |
| EP1 | 6910014470 | Unit board FP2152A (100V version) | 1 |
| | 6910014480 | Unit board FP2153A (220V version) | 1 |
| EP4 | 6910008330 | E.other G80-18 (Fin gured) | 1 |
| EP5 | 8930030420 | Cover FG60B | 1 |
| EP6 | 6910011960 | Bead ZCAT1518-0730 [FR4100] only | 1 |
| MF1 | 2710000750 | Fan FBA08A12LZ (with Lib) | 1 |
| MF2 | 2710000740 | Fan FBA06A12L (with Lib) [FR4000] only | 1 |
| MP18 | 8110007490 | 2368 U-cover | 1 |
| MP21 | 8510013760 | 2368 PA shield cover | 1 |
| MP22 | 8510013770 | 2368 REG shield cover | 1 |
| MP23 | 8510013790 | 2368 TX shield cover | 1 |
| MP24 | 8510013780 | 2368 RX shield cover | 1 |
| MP28 | 8510013810 | 2368 KC plate Y599 | 1 |
| MP29 | 8510013810 | 2368 KC plate Y599 | 1 |
| MP30 | 8010004340 | Edging rubber FX452 | 1 |
| MP31 | 8010004340 | Edging rubber FX452 | 1 |
| MP32 | 8930056650 | 2368 PCB angle Y600 | 1 |
| MP33 | 8930056660 | 2368 REG PCB angle | 2 |
| MP34 | 8410002510 | 2368 REG heat sink | 1 |
| MP35 | 8930035230 | 1546 TR-A clip | 5 |
| MP36 | 8930005460 | Isolating sheet G | 1 |
| MP50 | 8810000420 | Screw PH M4 × 18 | 2 |
| MP51 | 8810009030 | Screw FH M3 × 8 ZK | 2 |
| MP52 | 8810007230 | Set screw H M3 × 8 | 2 |
| MP53 | 8810007230 | Set screw H M3 × 8 | 4 |
| MP54 | 8810007230 | Set screw H M3 × 8 | 2 |
| MP55 | 8810007230 | Set screw H M3 × 8 | 2 |
| MP58 | 8810003380 | Set screw C M3 × 10 | 1 |
| MP59 | 8810003380 | Set screw C M3 × 10 | 2 |
| MP60 | 8810010130 | Set screw (C) 3 × 35 | 4 |
| MP61 | 8810010130 | Set screw (C) 3 × 35 [FR4000] | 4 |
| | 8810003360 | Set screw (C) M3 × 6 [FR4100] | 4 |
| MP62 | 8810009040 | Set screw (H) M2.6 × 10 NI [FR4000] only | 2 |
| MP63 | 8810004830 | Screw PH M3 × 10 surface BS | 2 |
| MP64 | 8810008450 | Bind screw M4 × 8 ZK | 10 |
| MP70 | 8810008660 | Screw PH BT M3 × 8 NI-ZU | 2 |
| MP71 | 8810008660 | Screw PH BT M3 × 8 NI-ZU | 1 |
| MP72 | 8810008660 | Screw PH BT M3 × 8 NI-ZU | 4 |
| MP73 | 8810008660 | Screw PH BT M3 × 8 NI-ZU | 9 |
| MP74 | 8810008660 | Screw PH BT M3 × 8 NI-ZU | 12 |
| MP75 | 8810008660 | Screw PH BT M3 × 8 NI-ZU | 6 |
| MP76 | 8810008660 | Screw PH BT M3 × 8 NI-ZU | 8 |
| MP78 | 8810008660 | Screw PH BT M3 × 8 NI-ZU | 1 |
| MP79 | 8810008660 | Screw PH BT M3 × 8 NI-ZU | 1 |
| MP80 | 8810008660 | Screw PH BT M3 × 8 NI-ZU | 4 |
| MP81 | 8810008660 | Screw PH BT M3 × 8 NI-ZU | 2 |
| MP83 | 8810008660 | Screw PH BT M3 × 8 NI-ZU | 7 |
| MP88 | 8810008660 | Screw PH BT M3 × 8 NI-ZU | 5 |
| MP89 | 8810008660 | Screw PH BT M3 × 8 NI-ZU | 6 |
| MP90 | 8810008660 | Screw PH BT M3 × 8 NI-ZU | 15 |
| MP93 | 8820000530 | Flange volt M4 × 8 NI | 1 |
| MP94 | 8850000140 | Flat washer M4 NI BS | 1 |
| MP95 | 8810003860 | Set screw A M4 × 8 | 1 |
| MP96 | 8930059330 | Shield sponge (W) | 2 |
| MP97 | 8930059340 | 2368 A-shield line | 1 |
| MP100 | 8930018620 | Himelon sheet Y | 4 |
| MP103 | 8810005770 | Bind screw M3 × 8 ZK [FR4000] only | 1 |
| MP104 | 8810005770 | Bind screw M3 × 8 ZK | 1 |
| MP105 | 8930005150 | Aluminum sheet (B) | 1 |
| MP109 | 8930035380 | Aluminum sheet (U) [FR4100] only | 1 |
| MP112 | 8930005150 | Aluminum sheet (B) [FR4100] only | 1 |
| MP113 | 8930059340 | 2368 A-shield line [FR4100] only | 1 |
| MP114 | 8310030970 | 868 Earth seal(0) [FR4100] only | 1 |
| MP116 | 8950000180 | Cable tie-80 | 1 |
| MP119 | 8930028840 | Sponge (DF) | 1 |
| MP120 | 8950000180 | Cable tie-80 [FR4100] only | 1 |
| MP121 | 8930005150 | Aluminum sheet (B) [FR4100] only | 1 |
| MP122 | 8930013390 | Aluminum sheet (M) [EUR1], [FRG1] only | 1 |
| MP123 | 8930013390 | Aluminum sheet (M) [EUR1], [FRG1] only | 1 |

[RX UNIT]

| REF NO. | ORDER NO. | DESCRIPTION | QTY. |
|---------|------------|---------------------------|------|
| MP1 | 8510015120 | 2368 A-case | 1 |
| MP2 | 8510015130 | 2368 B-case | 1 |
| MP3 | 8510015140 | 2368 E-case | 1 |
| MP4 | 8930059680 | Sponge (HD) | 1 |
| MP5 | 8930059680 | Sponge (HD) | 1 |
| MP6 | 8510015190 | 2368 MCF plate | 1 |
| MP7 | 8510015580 | 2368 C-CASE [FR4100] only | 1 |

[TX UNIT]

| REF NO. | ORDER NO. | DESCRIPTION | QTY. |
|---------|-------------|--|------|
| MP1 | 8510015120 | 2368 A-case | 1 |
| MP2 | 8510015200 | 2368 TX shield case | 1 |
| WS1 | 89700024070 | FX2368 1.5D coaxial tube (1)/TX [FR4000] | 1 |
| W11 | 89700012490 | OPC-1281 (TX-ANT cable EUR) [FR4100] | 1 |

[RVCO UNIT]

| REF NO. | ORDER NO. | DESCRIPTION | QTY. |
|---------|------------|--------------------|------|
| MP1 | 8510014700 | 2368 RVCO case | 1 |
| MP2 | 8930007280 | Aluminum sheet (H) | 1 |

[TVCO UNIT]

| REF NO. | ORDER NO. | DESCRIPTION | QTY. |
|---------|------------|----------------|------|
| MP1 | 8510014690 | 2368 TVCO case | 1 |

[REG UNIT]

| REF NO. | ORDER NO. | DESCRIPTION | QTY. |
|---------|------------|--------------------|------|
| F1 | 5220000300 | Fuse holder 1A5600 | 1 |
| F2 | 5220000300 | Fuse holder 1A5600 | 1 |
| F3 | 5210000850 | Fuse ATC-20 | 1 |
| F4 | 5220000300 | Fuse holder 1A5600 | 1 |
| F5 | 5220000300 | Fuse holder 1A5600 | 1 |
| F6 | 5210000850 | Fuse ATC-20 | 1 |
| EP3 | 6910011340 | Terminal OT-010 M3 | 1 |
| EP4 | 6910011340 | Terminal OT-010 M3 | 1 |
| EP5 | 6910011340 | Terminal OT-010 M3 | 1 |
| EP6 | 6910011340 | Terminal OT-010 M3 | 1 |
| EP7 | 6910011340 | Terminal OT-010 M3 | 1 |
| EP8 | 6910011340 | Terminal OT-010 M3 | 1 |
| EP9 | 6910011340 | Terminal OT-010 M3 | 1 |
| EP10 | 6910011340 | Terminal OT-010 M3 | 1 |

[50PA UNIT]

| REF NO. | ORDER NO. | DESCRIPTION | QTY. |
|---------|------------|-------------------------|------|
| EP1 | 6910014490 | Terminal OP-100 M3 | 1 |
| EP2 | 6910014490 | Terminal OP-100 M3 | 1 |
| MP1 | 8930056630 | 2368 Module holder Y602 | 1 |
| MP2 | 8930056640 | 2368 module plate Y601 | 1 |
| MP3 | 8860001130 | 2177 Rug plate Y430 | 1 |
| MP4 | 8510015210 | 2368 PA shield case | 1 |

[25PA UNIT]

| REF NO. | ORDER NO. | DESCRIPTION | QTY. |
|---------|------------|---|------|
| EP1 | 6910014490 | Terminal OP-100 M3 | 1 |
| EP2 | 6910014490 | Terminal OP-100 M3 | 1 |
| MP1 | 8930060410 | 2367 module holder | 1 |
| MP2 | 8930060420 | 23687 module plate | 1 |
| MP4 | 8510015631 | 2368 25-shield case-1 | 1 |
| MP5 | 8510015631 | 2368 25-shield case-1 | 1 |
| MP6 | 8510015631 | 2368 25-shield case-1 [EUR3], [FRG3] | 1 |
| | 8510016290 | 2368 25-shield case assembly (A) [EUR1], [FRG1] | 1 |

Screw abbreviations

B0, BT: Self-tapping PH: Pan head
 NI-ZU: Nickel-Zinc ZK: Black

SECTION 8 SEMI-CONDUCTOR INFORMATION

8 - 1 TRANSISTORS AND FETS

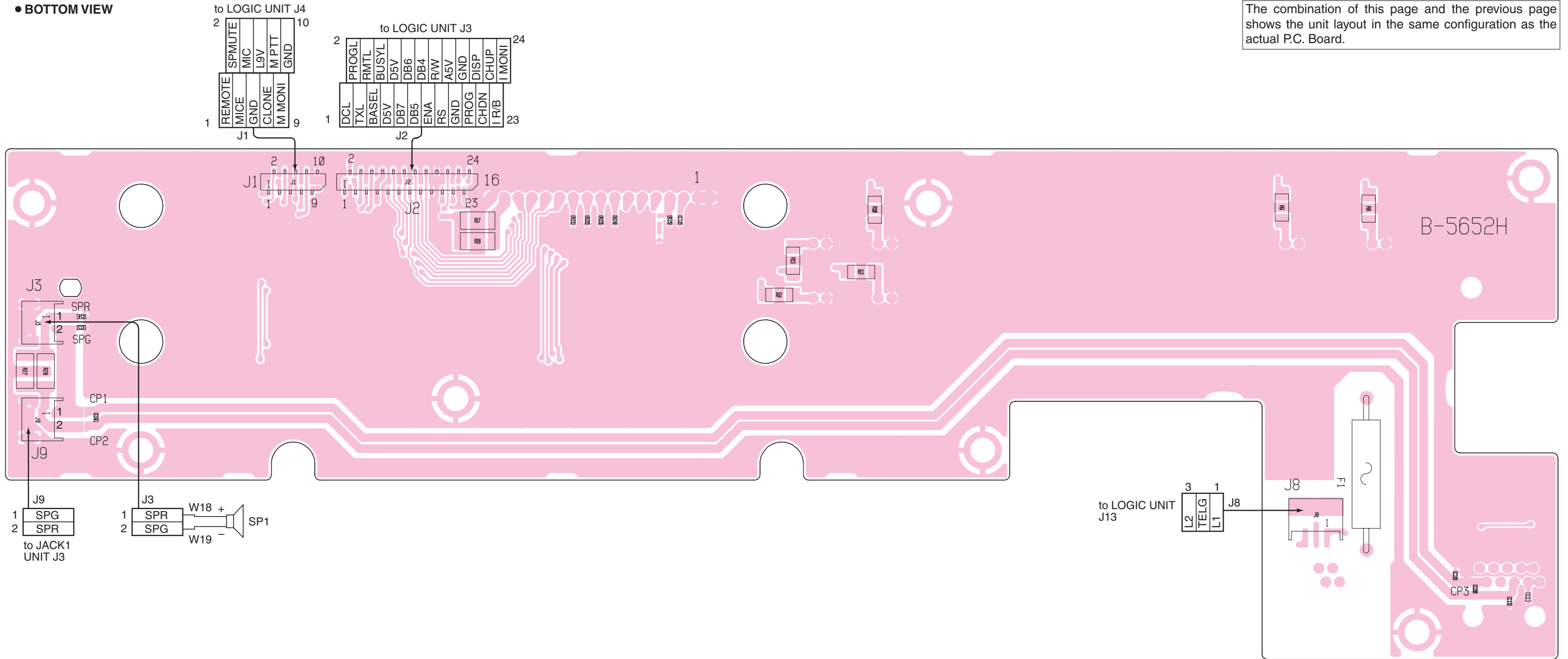
| | | | | |
|---------------------------------------|--|---|--|--|
| <p>2SA1362-Y (Symbol: AEY)</p> | <p>2SA1576A T106R (Symbol: FR)</p> | <p>2SB1143 T (Symbol: B1143)</p> | <p>2SB1182 TL Q (Symbol: B1182, Q)</p> | <p>2SC2712-BL/GR (Symbol: LL/LG)</p> |
| <p>2SC3102 (Symbol: None)</p> | <p>2SC3356-T1B R25 (Symbol: R25)</p> | <p>2SC3661-TB (Symbol: FY)</p> | <p>2SC4081 T106 R (Symbol: BR)</p> | <p>2SC4226-T1 R25 (Symbol: R25)</p> |
| <p>2SC4703-T2 SF (Symbol: SF)</p> | <p>2SC5337QS-T1 (Symbol: QS)</p> | <p>2SD1664 T100Q (Symbol: DAQ)</p> | <p>2SD1760 TLQ (Symbol: D1760)</p> | <p>2SJ377 (TE16R) (Symbol: J377)</p> |
| <p>2SJ533 (Symbol: J533)</p> | <p>2SJ553STR (Symbol: J553)</p> | <p>2SK1771 (TE85R) (Symbol: UB)</p> | <p>2SK3475 (TE12L) (Symbol: WB)</p> | <p>2SK508 K53 T1B (Symbol: K53)</p> |
| <p>2SK880Y (Symbol: XY)</p> | <p>DTA143ZUA T106 (Symbol: 113)</p> | <p>DTA144EE TL (Symbol: 16)</p> | <p>DTC114EUA T106 (Symbol: 26)</p> | <p>DTC144EE TL (Symbol: 26)</p> |
| <p>IMZ4 T108 (Symbol: Z4)</p> | <p>XP1111 (TX) (Symbol: 9S)</p> | <p>XP1114(TX) (Symbol: 7Q)</p> | <p>XP1214(TX) (Symbol: 9H)</p> | <p>XP4311 (TX) (Symbol: 3X)</p> |

8 - 2 DIODES

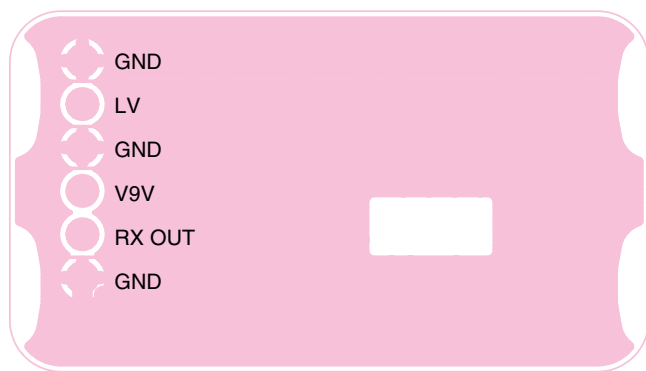
| | | | | |
|---|---|--|--|--|
| <p>1SR154-400 TE25 (Symbol: 14)</p> | <p>1SS226 (TE85R) (Symbol: C3)</p> | <p>1SS268 (TE85R) (Symbol: BF)</p> | <p>1SS319 (TE85R) (Symbol: A4)</p> | <p>1SS355 TE-17 (Symbol: A)</p> |
| <p>1SV284 (TPH3) (Symbol: TL)</p> | <p>1SV308 (TPL3) (Symbol: TX)</p> | <p>D1UBA80-4062 (Symbol: UA80)</p> | <p>DSA3A1 (Symbol: None)</p> | <p>FCH30A03L (Symbol: FCH30A03L)</p> |
| <p>HSU88TRF (Symbol: 9)</p> | <p>MA29W-B (Symbol: Blown line)</p> | <p>MA2S077-(TX) (Symbol: S)</p> | <p>MA2S111-(TX) (Symbol: A)</p> | <p>MA77(TX) (Symbol: 4B)</p> |
| <p>MA8047-M(TX) (Symbol: 4-7)</p> | <p>NNCD8.2C-T1 (Symbol: None)</p> | <p>PTZ TE25 13B (Symbol: 13B)</p> | <p>RD12M-T1B1 (Symbol: 121)</p> | <p>SB07-03C-TB (Symbol: J)</p> |

FRONT UNIT
● BOTTOM VIEW

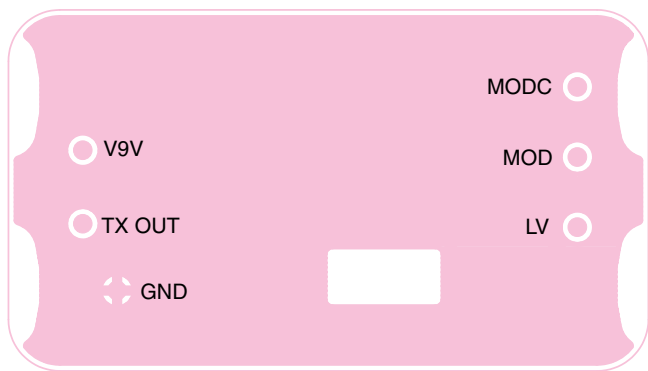
The combination of this page and the previous page shows the unit layout in the same configuration as the actual P.C. Board.



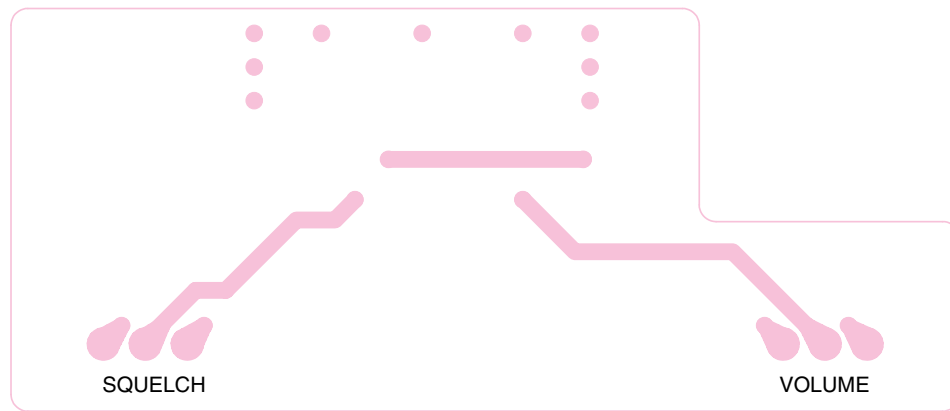
RVCO UNIT
● BOTTOM VIEW



TVCO UNIT
● BOTTOM VIEW

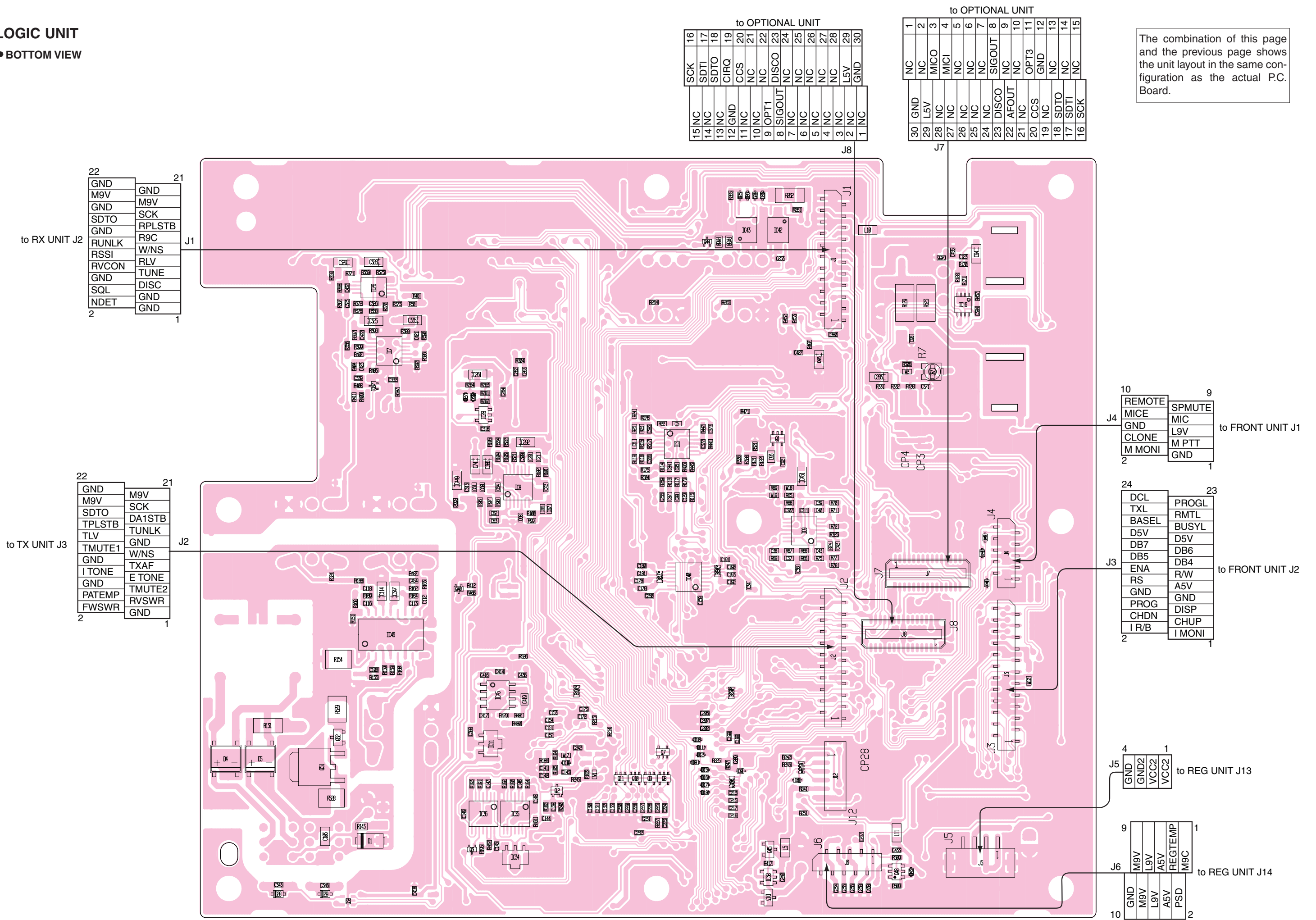


VR UNIT
● BOTTOM VIEW



LOGIC UNIT

● BOTTOM VIEW



to RX UNIT J2

| | | | |
|----|-------|----|--------|
| 22 | GND | 21 | GND |
| | M9V | | M9V |
| | GND | | SCK |
| | SDTO | | RPLSTB |
| | GND | | R9C |
| | RUNLK | | W/NS |
| | RSSI | | RLV |
| | RVCON | | TUNE |
| | GND | | DISC |
| | SQL | | GND |
| | NDET | | GND |
| 2 | | 1 | |

to TX UNIT J3

| | | | |
|----|--------|----|--------|
| 22 | GND | 21 | M9V |
| | M9V | | SCK |
| | SDTO | | DA1STB |
| | TPLSTB | | TUNLK |
| | TLV | | GND |
| | TMUTE1 | | W/NS |
| | GND | | TXAF |
| | I TONE | | E TONE |
| | GND | | TMUTE2 |
| | PATEMP | | RVSWR |
| | FWSWR | | GND |
| 2 | | 1 | |

to OPTIONAL UNIT

| | | | |
|----|-----|----|--------|
| 16 | SCK | 17 | SDTI |
| 15 | NC | 14 | SDTO |
| 14 | NC | 13 | NC |
| 13 | NC | 12 | GND |
| 12 | NC | 11 | NC |
| 11 | NC | 10 | NC |
| 10 | NC | 9 | OPT1 |
| 9 | NC | 8 | SIGOUT |
| 8 | NC | 7 | NC |
| 7 | NC | 6 | NC |
| 6 | NC | 5 | NC |
| 5 | NC | 4 | NC |
| 4 | NC | 3 | NC |
| 3 | NC | 2 | NC |
| 2 | NC | 1 | NC |

to OPTIONAL UNIT

| | | | |
|----|-------|----|--------|
| 1 | NC | 2 | NC |
| 2 | NC | 3 | MICO |
| 3 | NC | 4 | MICI |
| 4 | NC | 5 | NC |
| 5 | NC | 6 | NC |
| 6 | NC | 7 | NC |
| 7 | NC | 8 | SIGOUT |
| 8 | NC | 9 | DISCO |
| 9 | NC | 10 | AFOUT |
| 10 | NC | 11 | NC |
| 11 | NC | 12 | OPT3 |
| 12 | NC | 13 | GND |
| 13 | NC | 14 | NC |
| 14 | NC | 15 | NC |
| 15 | NC | 16 | SCK |
| 16 | SCK | 17 | SDTI |
| 17 | SDTI | 18 | SDTO |
| 18 | SDTO | 19 | NC |
| 19 | NC | 20 | CCS |
| 20 | CCS | 21 | NC |
| 21 | NC | 22 | AFOUT |
| 22 | AFOUT | 23 | DISCO |
| 23 | DISCO | 24 | NC |
| 24 | NC | 25 | NC |
| 25 | NC | 26 | NC |
| 26 | NC | 27 | NC |
| 27 | NC | 28 | NC |
| 28 | NC | 29 | L5V |
| 29 | L5V | 30 | GND |
| 30 | GND | | |

The combination of this page and the previous page shows the unit layout in the same configuration as the actual P.C. Board.

to FRONT UNIT J1

| | | | |
|----|--------|---|--------|
| 10 | REMOTE | 9 | SPMUTE |
| | MICE | | MIC |
| | GND | | L9V |
| | CLONE | | M PTT |
| | M MONI | | GND |
| 2 | | 1 | |

to FRONT UNIT J2

| | | | |
|----|-------|----|--------|
| 24 | DCL | 23 | PROGL |
| | TXL | | RMTL |
| | BASEL | | BUSYL |
| | D5V | | D5V |
| | DB7 | | DB6 |
| | DB5 | | DB4 |
| | ENA | | R/W |
| | RS | | A5V |
| | GND | | GND |
| | PROG | | DISP |
| | CHDN | | CHUP |
| | I R/B | | I MONI |
| 2 | | 1 | |

to REG UNIT J13

| | | | |
|---|------|---|------|
| 4 | GND | 1 | VCC2 |
| | GND2 | | VCC2 |

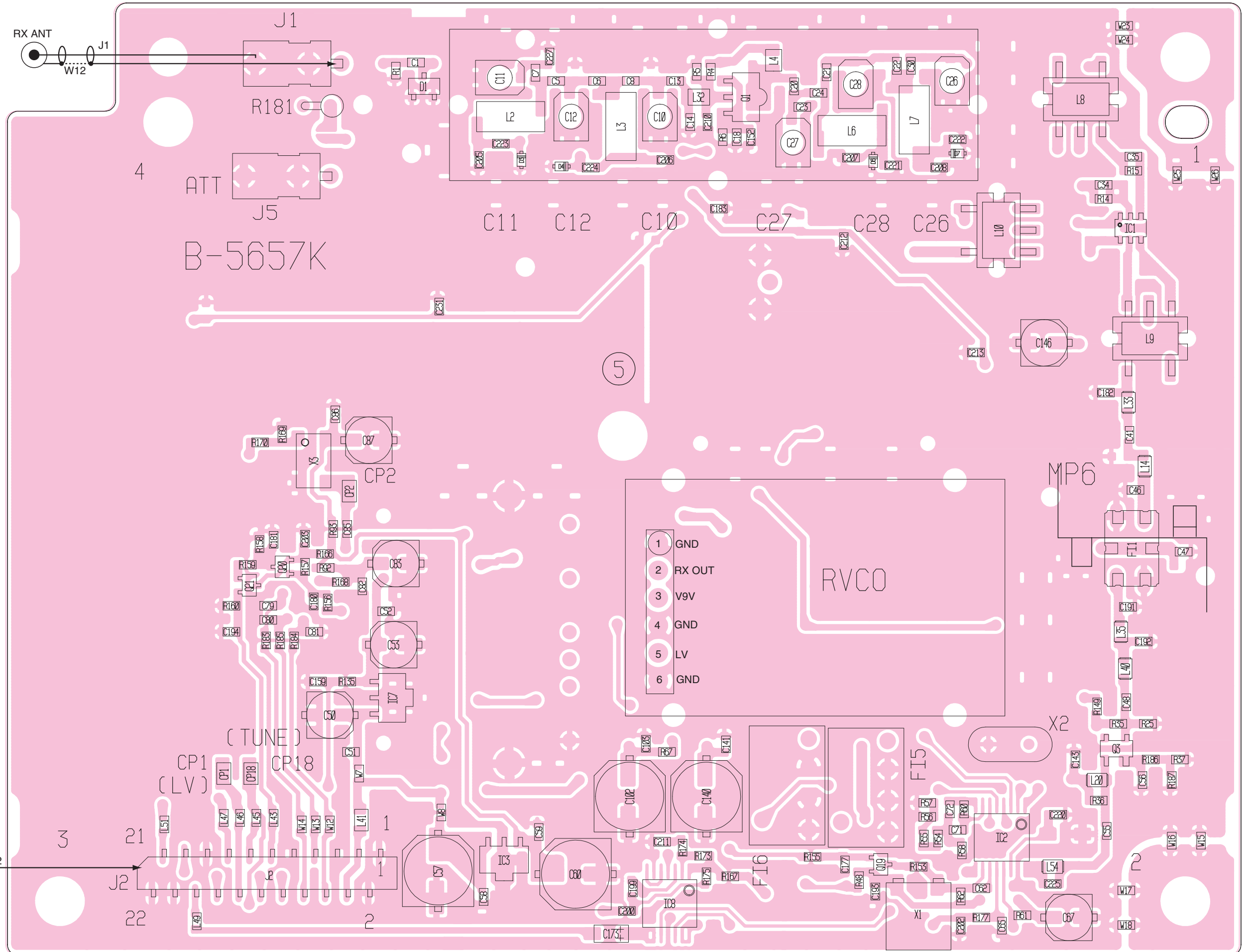
to REG UNIT J14

| | | | |
|----|-----|---|---------|
| 9 | M9V | 1 | REGTEMP |
| | L9V | | M9C |
| 6 | GND | 2 | PSD |
| | M9V | | |
| | L9V | | |
| | A5V | | |
| 10 | GND | | |

9 - 6 RX UNIT

• TOP VIEW

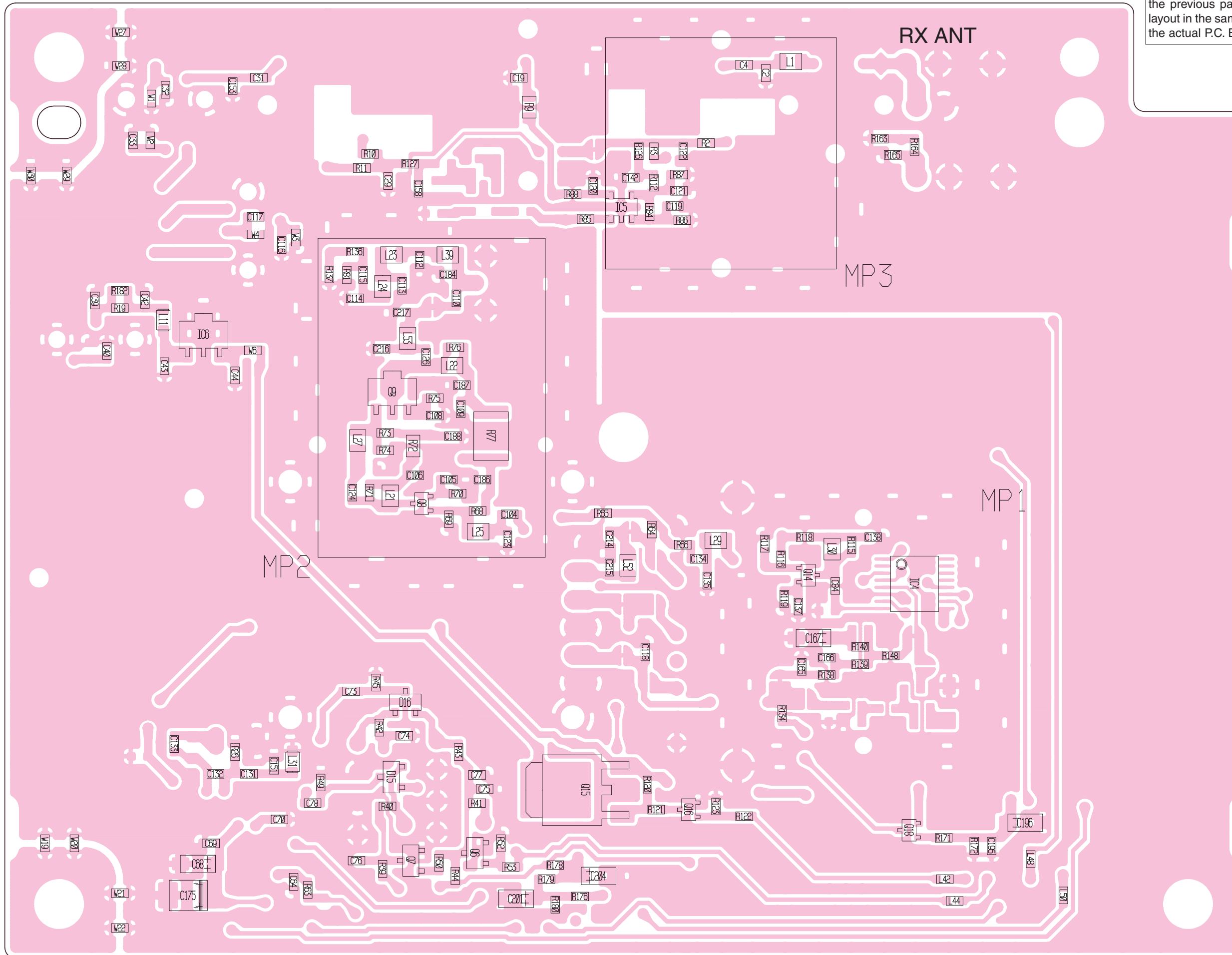
The combination of this page and the next page shows the unit layout in the same configuration as the actual P.C. Board.



to LOGIC UNIT J1

| | | |
|----|--------|---|
| 21 | GND | 1 |
| | NDDET | |
| | SQL | |
| | GND | |
| | FVCON | |
| | TUNE | |
| | RLV | |
| | WNS | |
| | R9C | |
| | RPLSTB | |
| | SCK | |
| | M9V | |
| | GND | |
| 22 | GND | 2 |

The combination of this page and the previous page shows the unit layout in the same configuration as the actual P.C. Board.

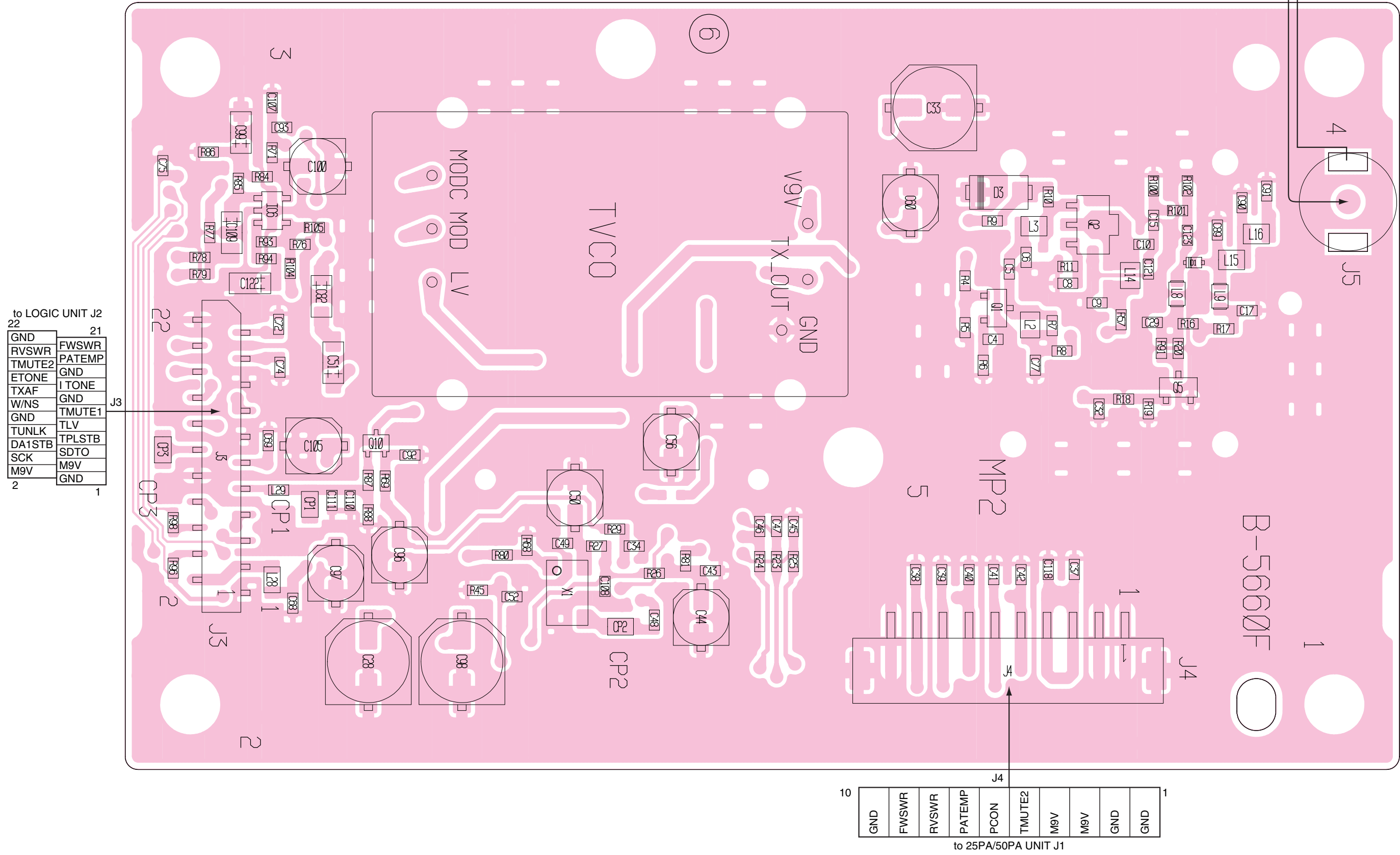


9 - 7 TX UNIT

• TOP VIEW

The combination of this page and the next page shows the unit layout in the same configuration as the actual P.C. Board.

to 25PA/50PA UNIT
J2



to LOGIC UNIT J2

| | |
|--------|--------|
| 22 | 21 |
| GND | FWSWR |
| RVSWR | PATEMP |
| TMUTE2 | GND |
| ETONE | I TONE |
| TXAF | GND |
| W/NS | TMUTE1 |
| GND | TLV |
| TUNLK | TPLSTB |
| DA1STB | SDTO |
| SCK | M9V |
| M9V | GND |
| 2 | 1 |

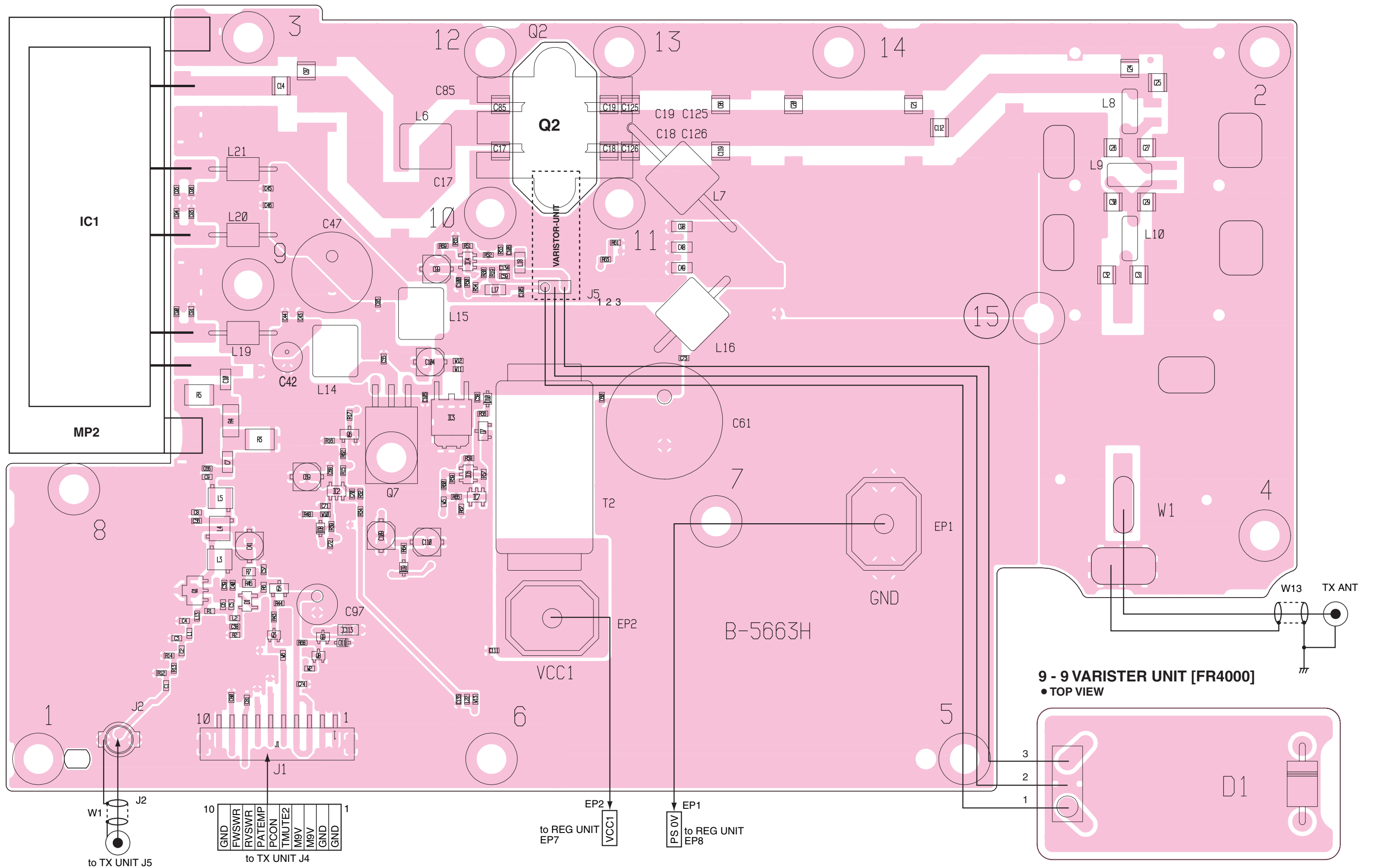
| | |
|--------|-------|
| 10 | 1 |
| GND | FWSWR |
| FWSWR | RVSWR |
| PATEMP | PCON |
| TMUTE2 | M9V |
| M9V | GND |
| GND | GND |
| 1 | |

to 25PA/50PA UNIT J1

9 - 8 50PA UNIT [FR4000]

• TOP VIEW

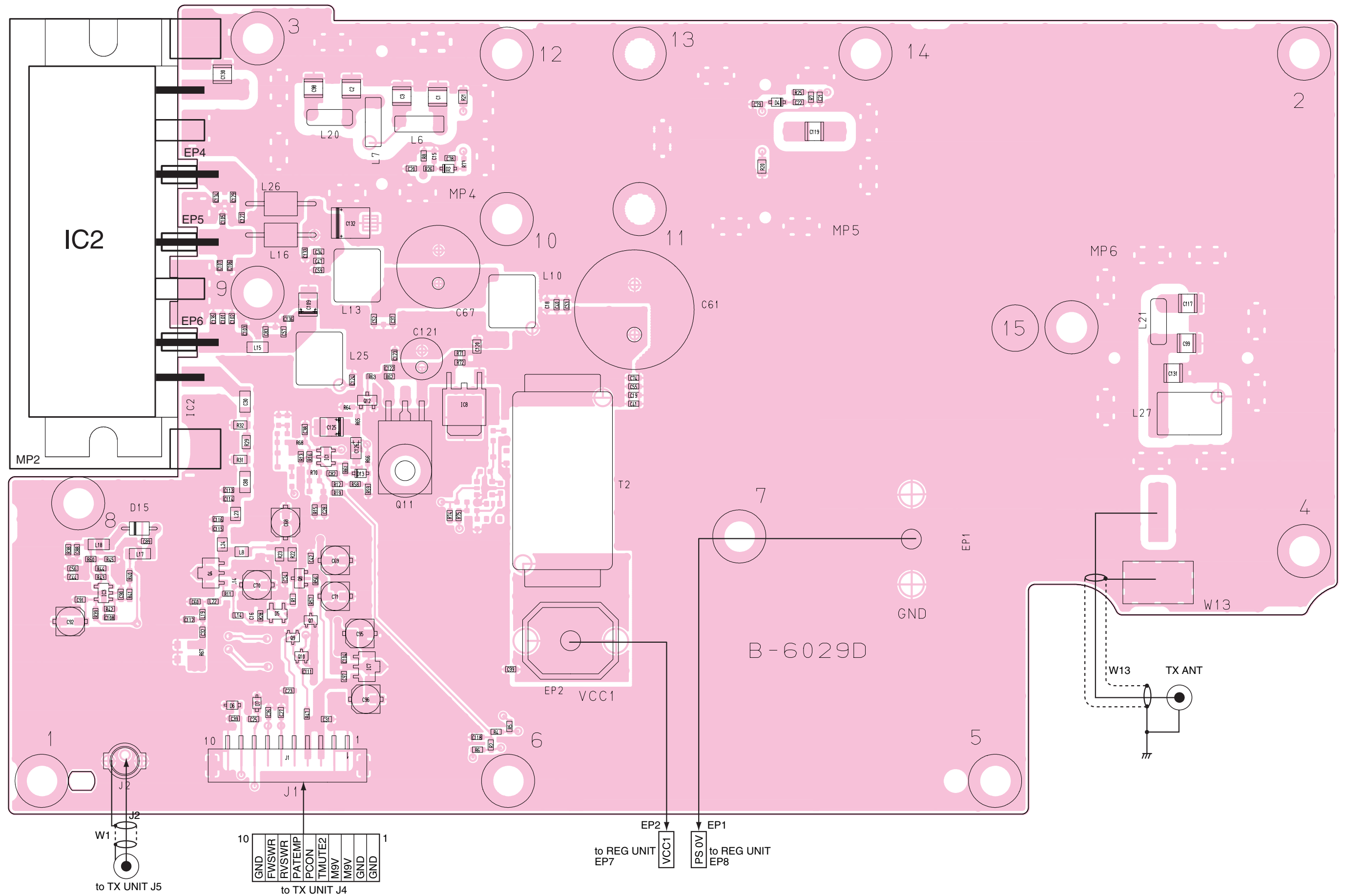
The combination of this page and the next page shows the unit layout in the same configuration as the actual P.C. Board.



9 - 10 25PA UNIT [FR4100]

• TOP VIEW

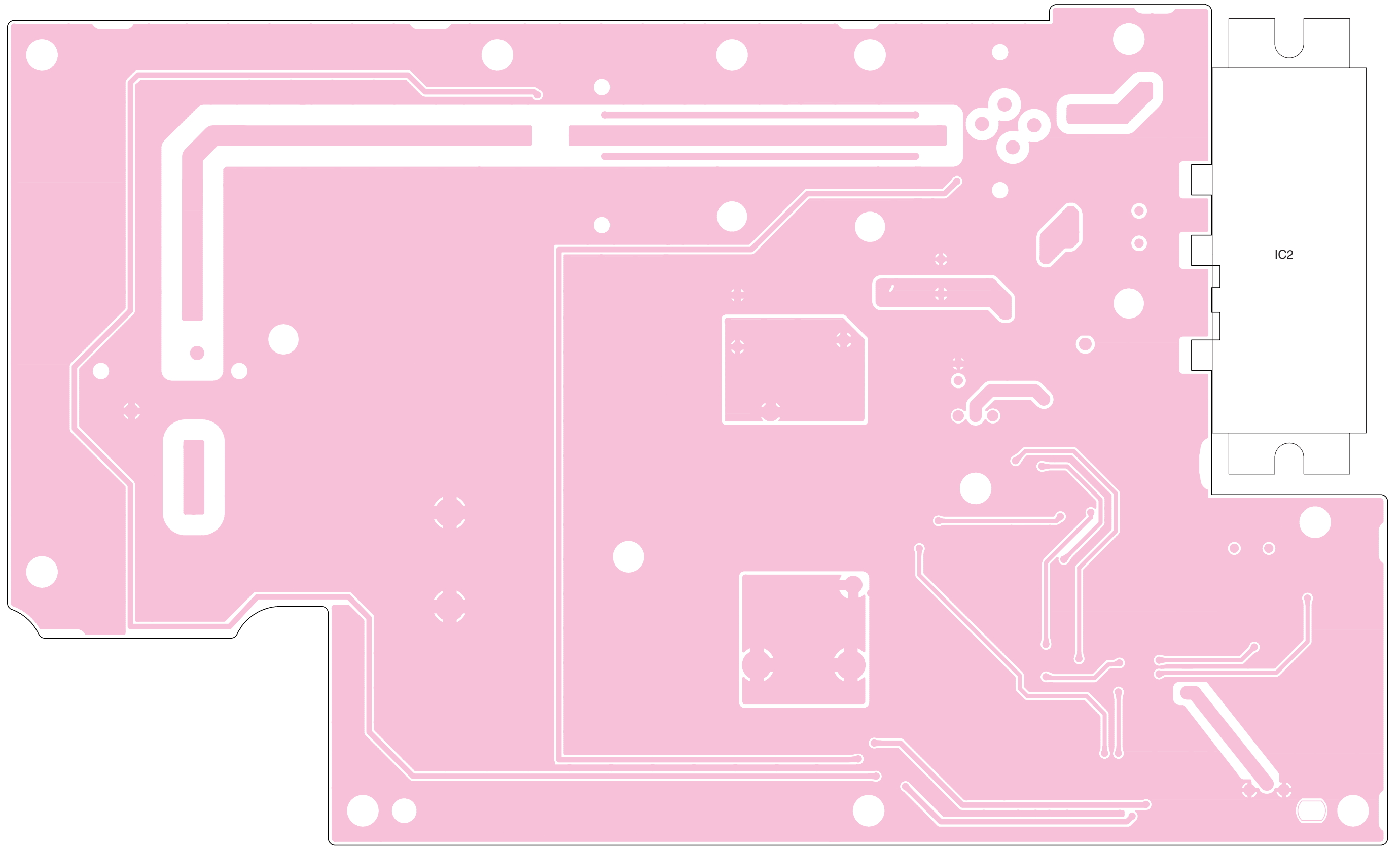
The combination of this page and the next page shows the unit layout in the same configuration as the actual P.C. Board.



25PA UNIT [FR4100]

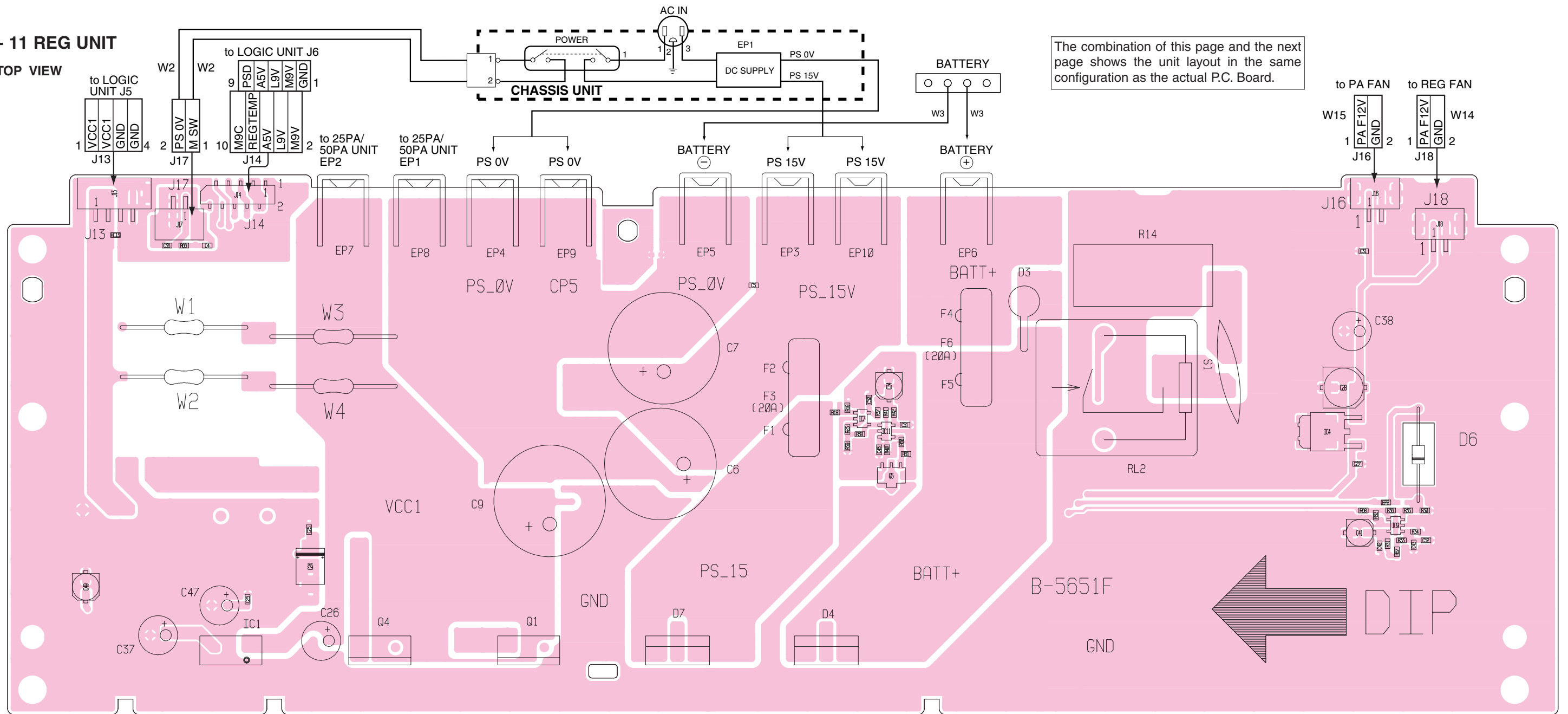
● BOTTOM VIEW

The combination of this page and the previous page shows the unit layout in the same configuration as the actual P.C. Board.



9 - 11 REG UNIT

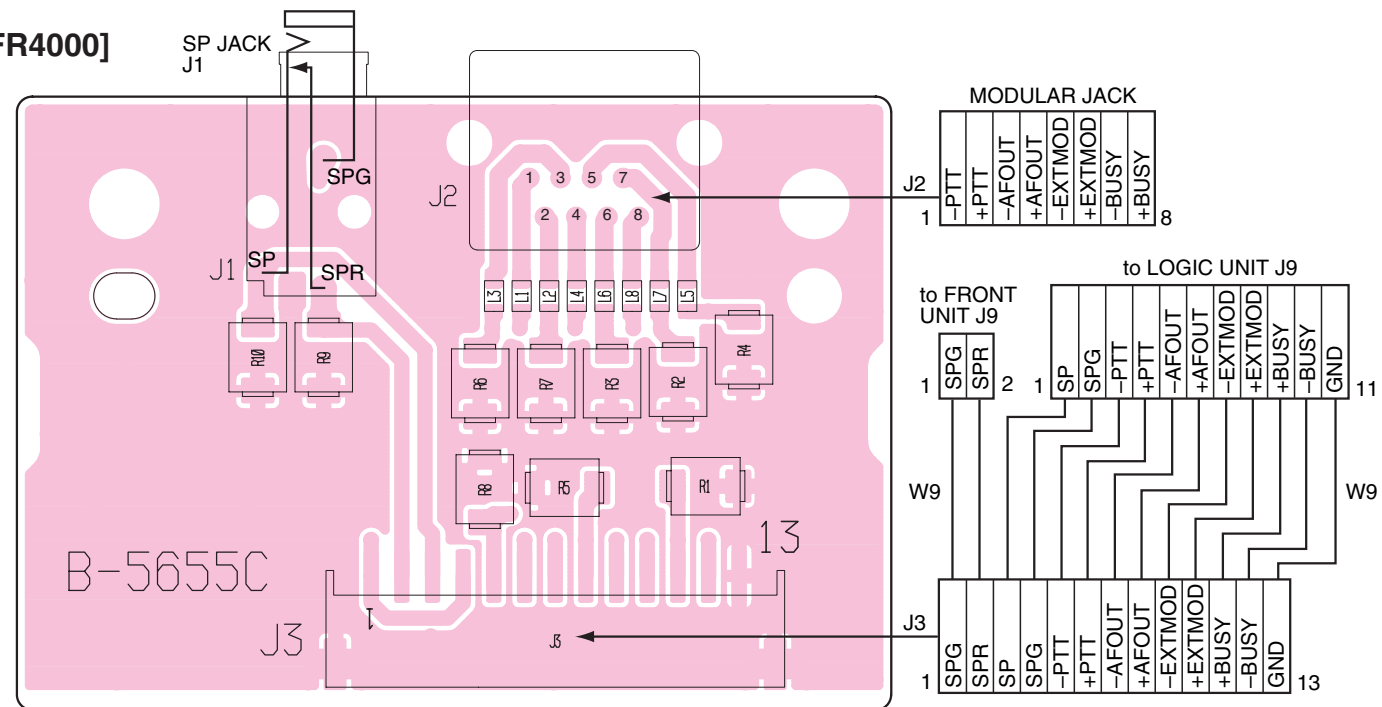
• TOP VIEW



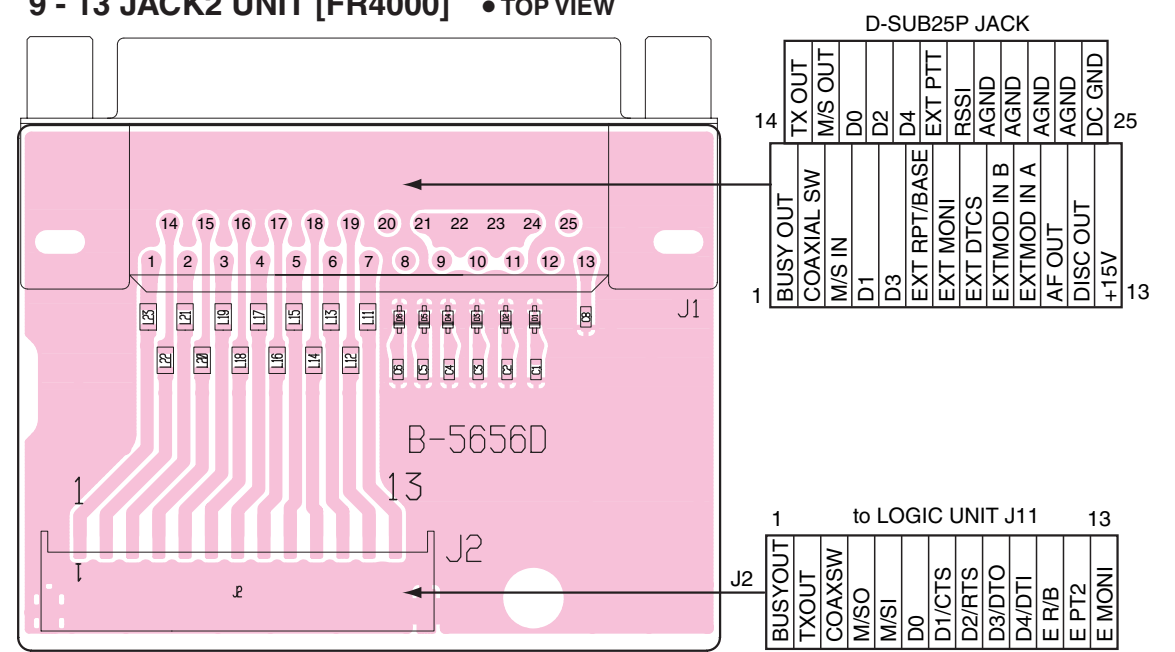
The combination of this page and the next page shows the unit layout in the same configuration as the actual P.C. Board.

9 - 12 JACK1 UNIT [FR4000]

• TOP VIEW



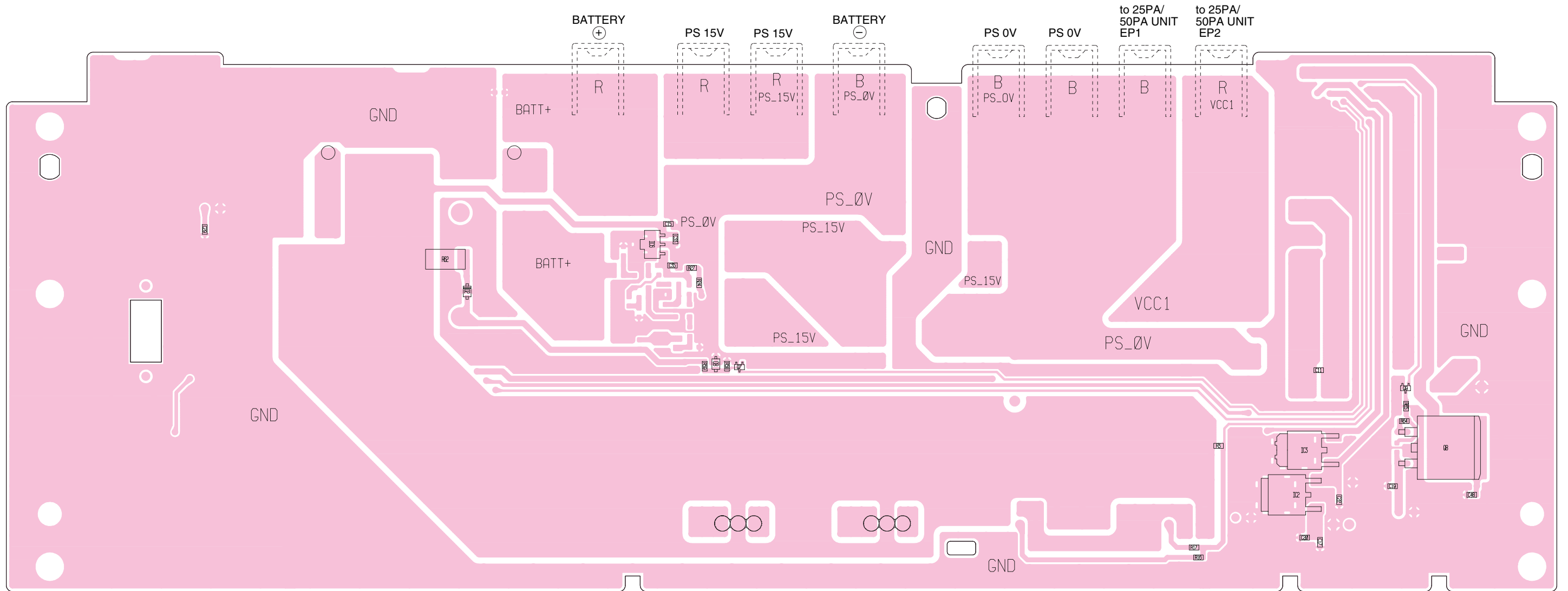
9 - 13 JACK2 UNIT [FR4000] • TOP VIEW



REG UNIT

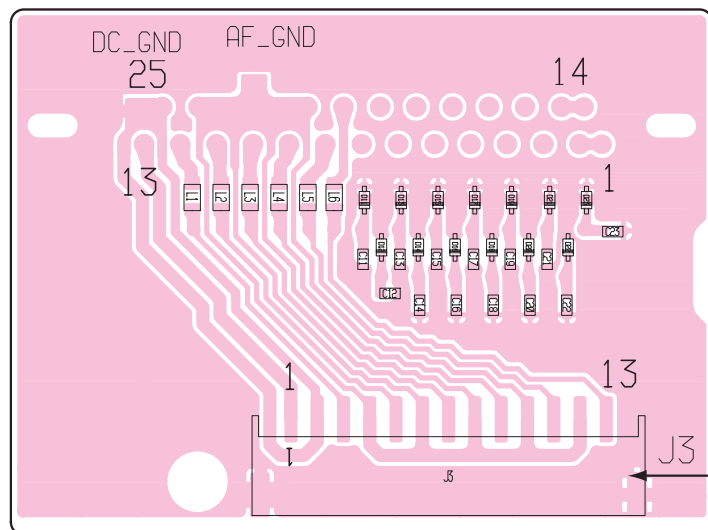
• **BOTTOM VIEW**

The combination of this page and the previous page shows the unit layout in the same configuration as the actual P.C. Board.



JACK2 UNIT [FR4000]

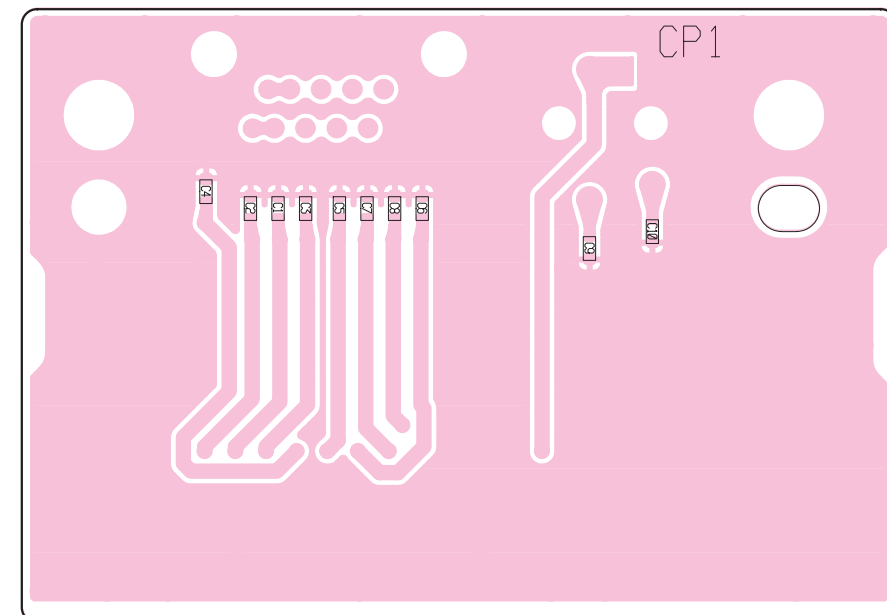
• **BOTTOM VIEW**



| 1 | to LOGIC UNIT J10 | | | | | | | | | | | 13 |
|-------|-------------------|----------|--------|--------|--------|--------|--------|--------|--------|--------|------|----|
| +E15V | DC GND | DISC OUT | AF GND | AF OUT | AF GND | E MOD2 | E MOD3 | E MODG | E DTCS | E MODG | RSSI | |

JACK1 UNIT [FR4000]

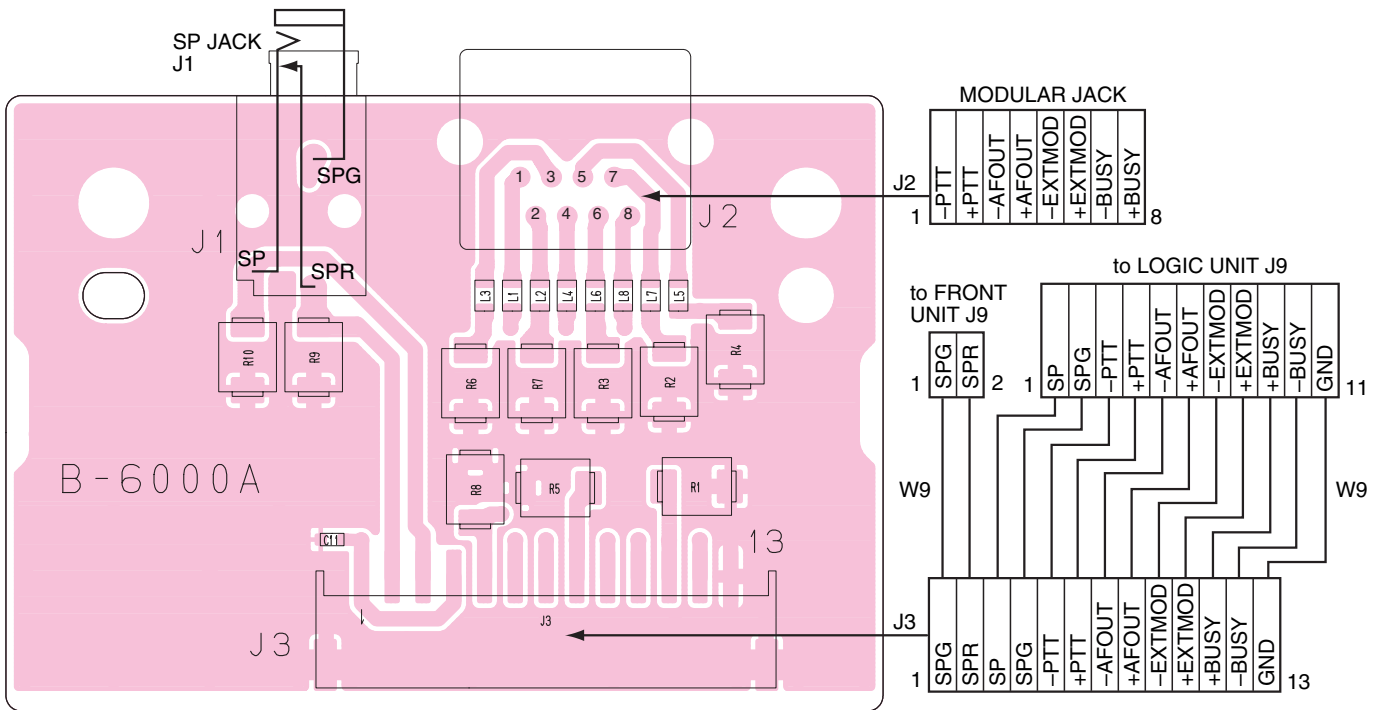
• **BOTTOM VIEW**



9 - 14 JACK1 UNIT [FR4100]

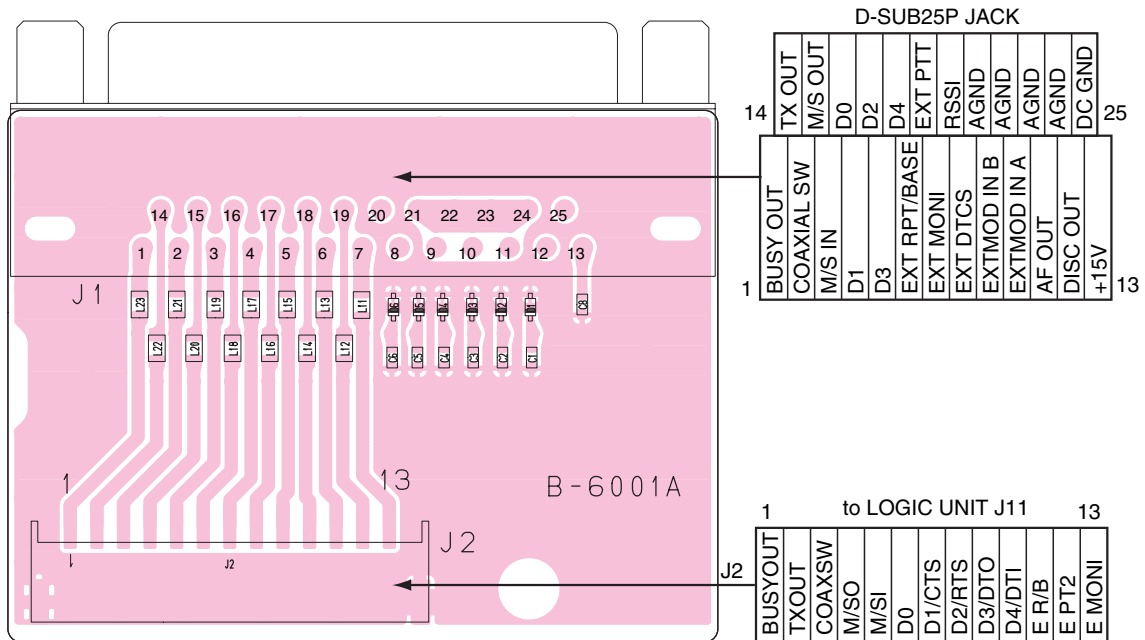
• TOP VIEW

The combination of this page and the next page shows the unit layout in the same configuration as the actual P.C. Board.



9 - 15 JACK2 UNIT [FR4100]

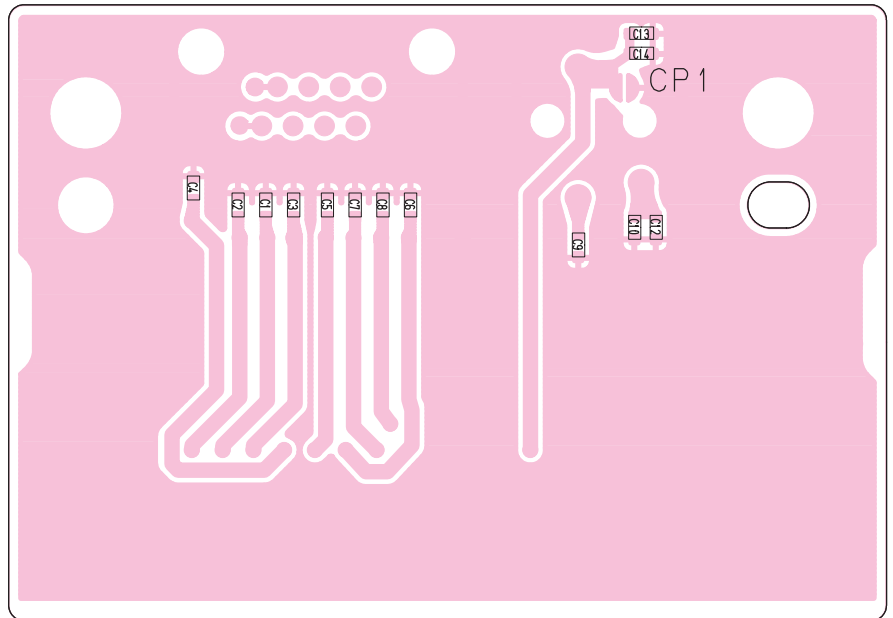
• TOP VIEW



JACK1 UNIT [FR4100]

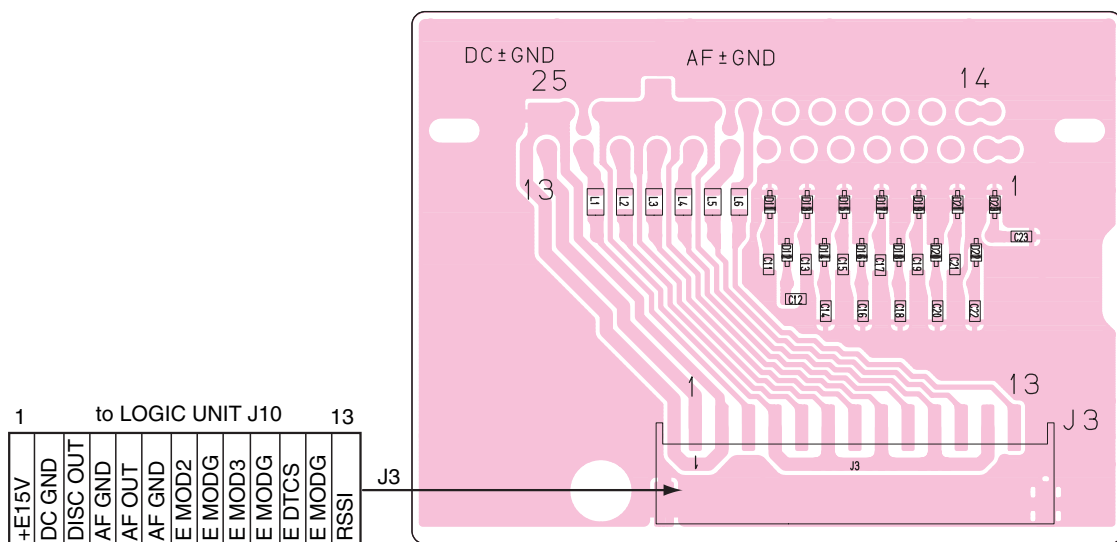
• BOTTOM VIEW

The combination of this page and the previous page shows the unit layout in the same configuration as the actual P.C. Board.

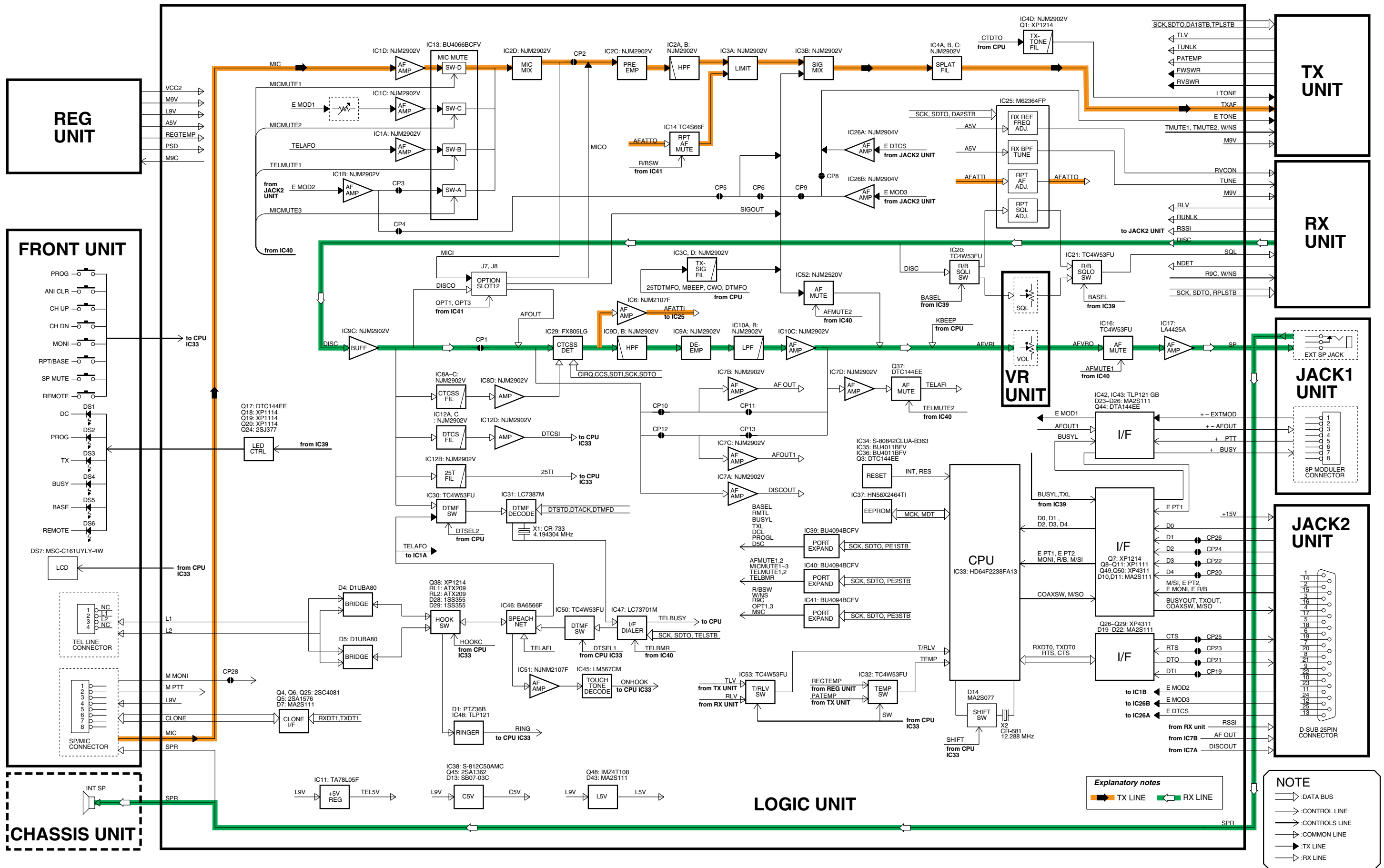


JACK2 UNIT [FR4100]

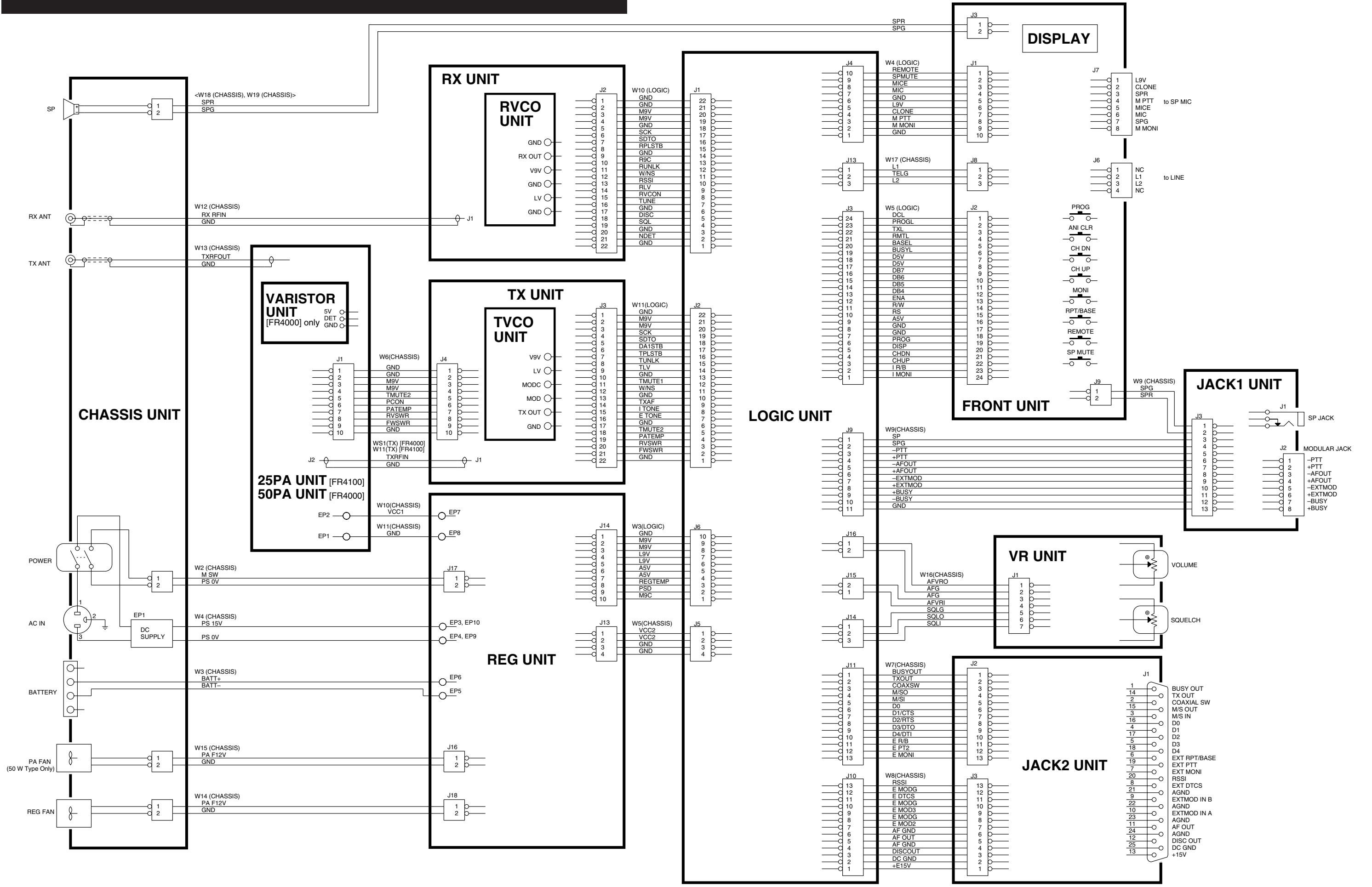
• BOTTOM VIEW



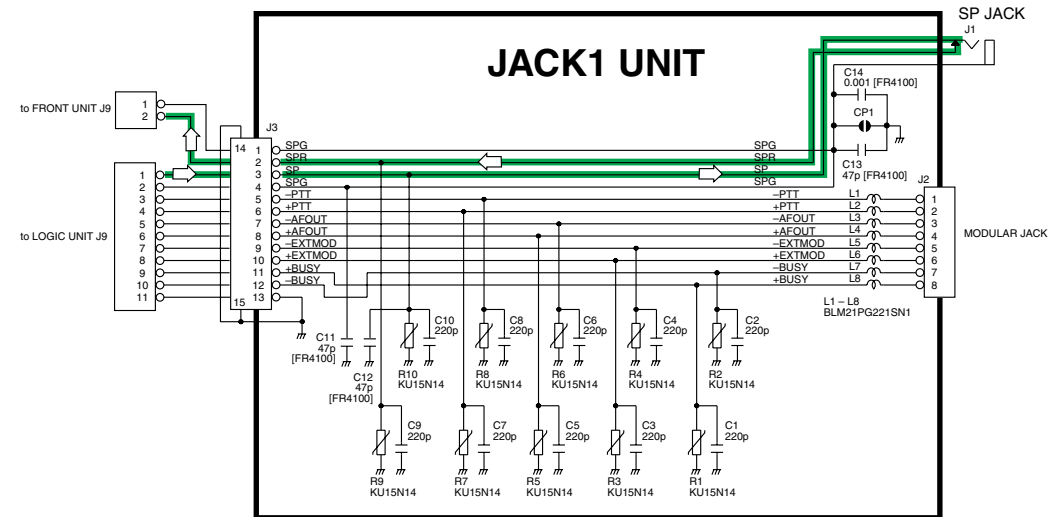
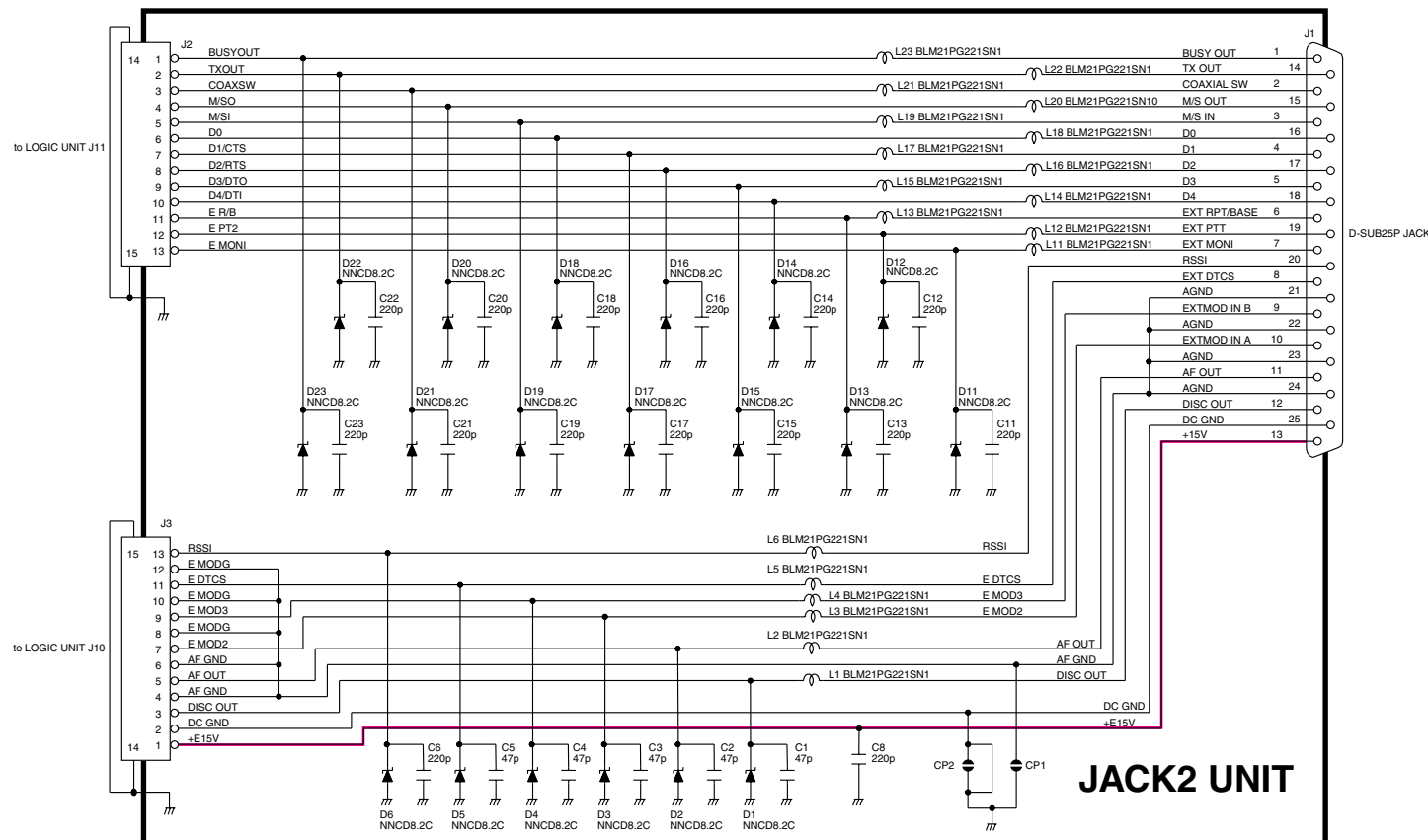
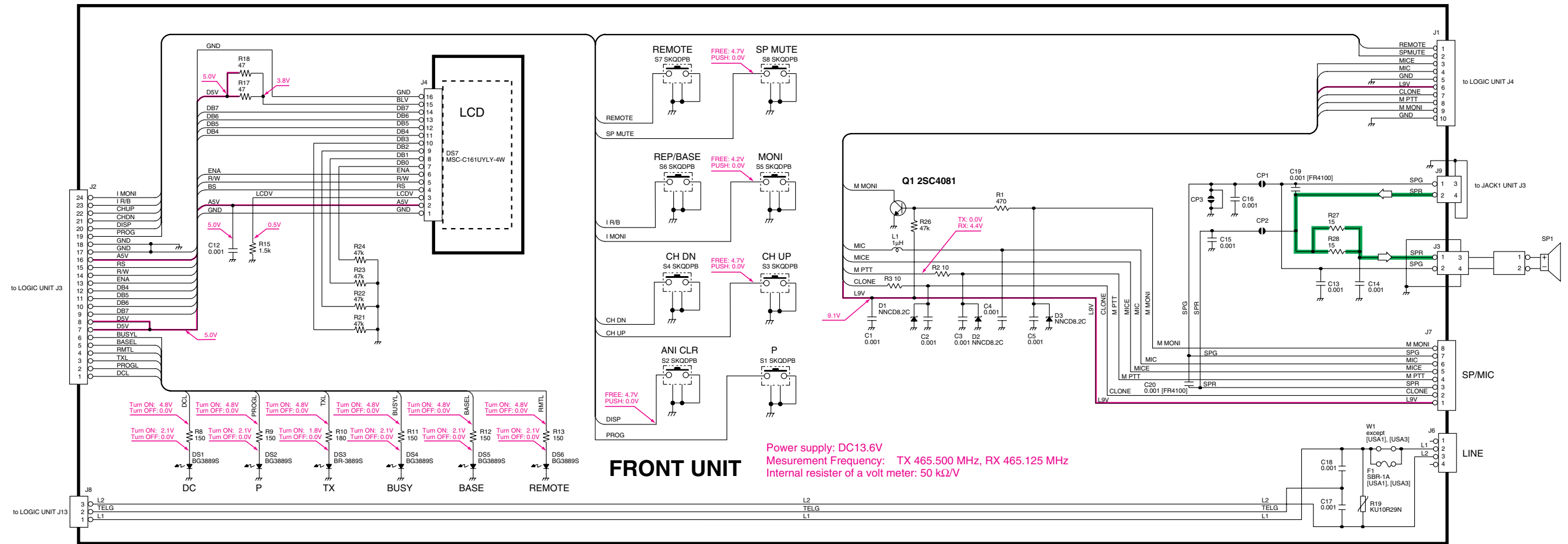
SECTION 10 BLOCK DIAGRAM



SECTION 11 WIRING DIAGRAM



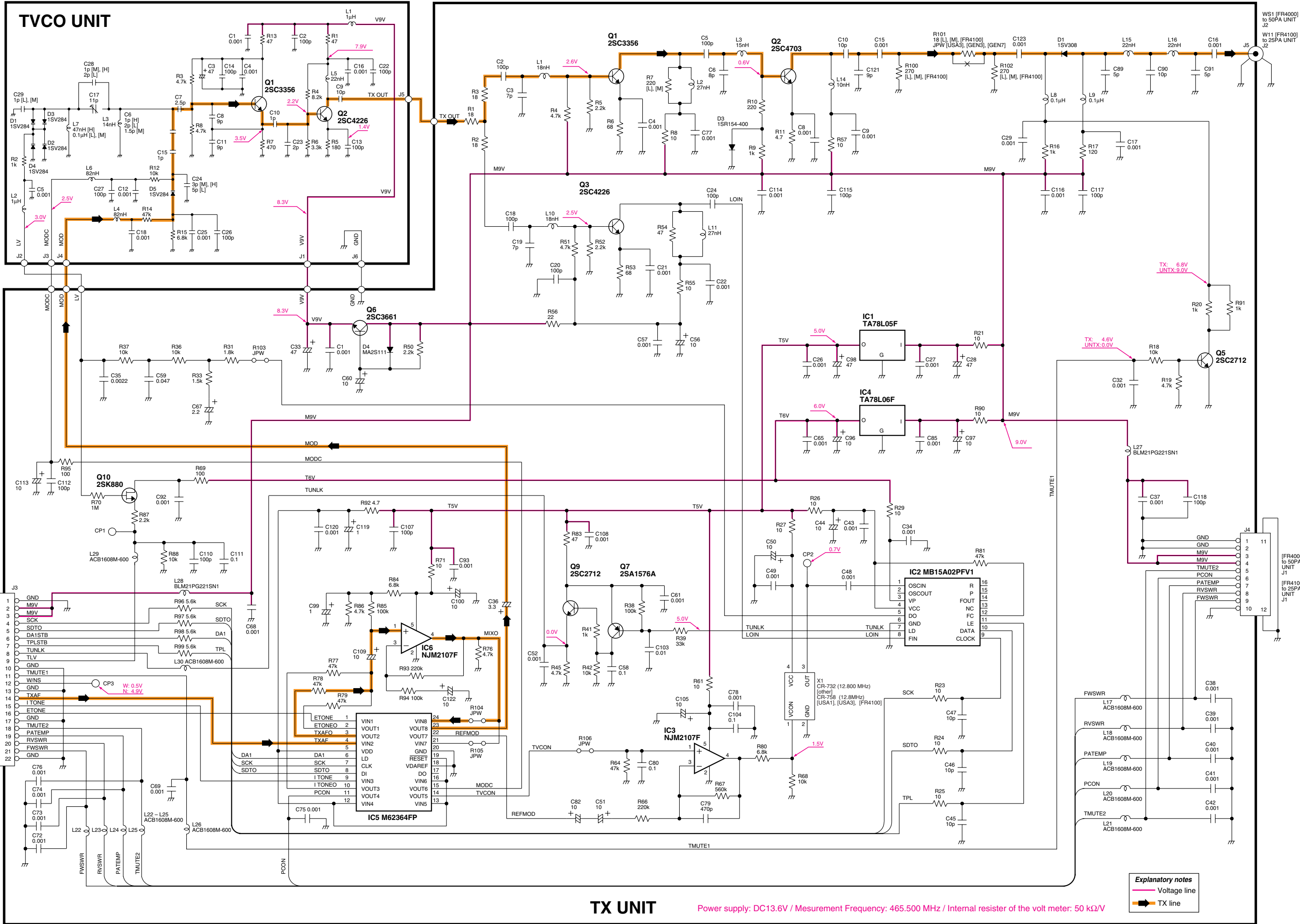
SECTION 12 VOLTAGE DIAGRAM



Explanatory notes

- Voltage line
- RX line

TVCO UNIT

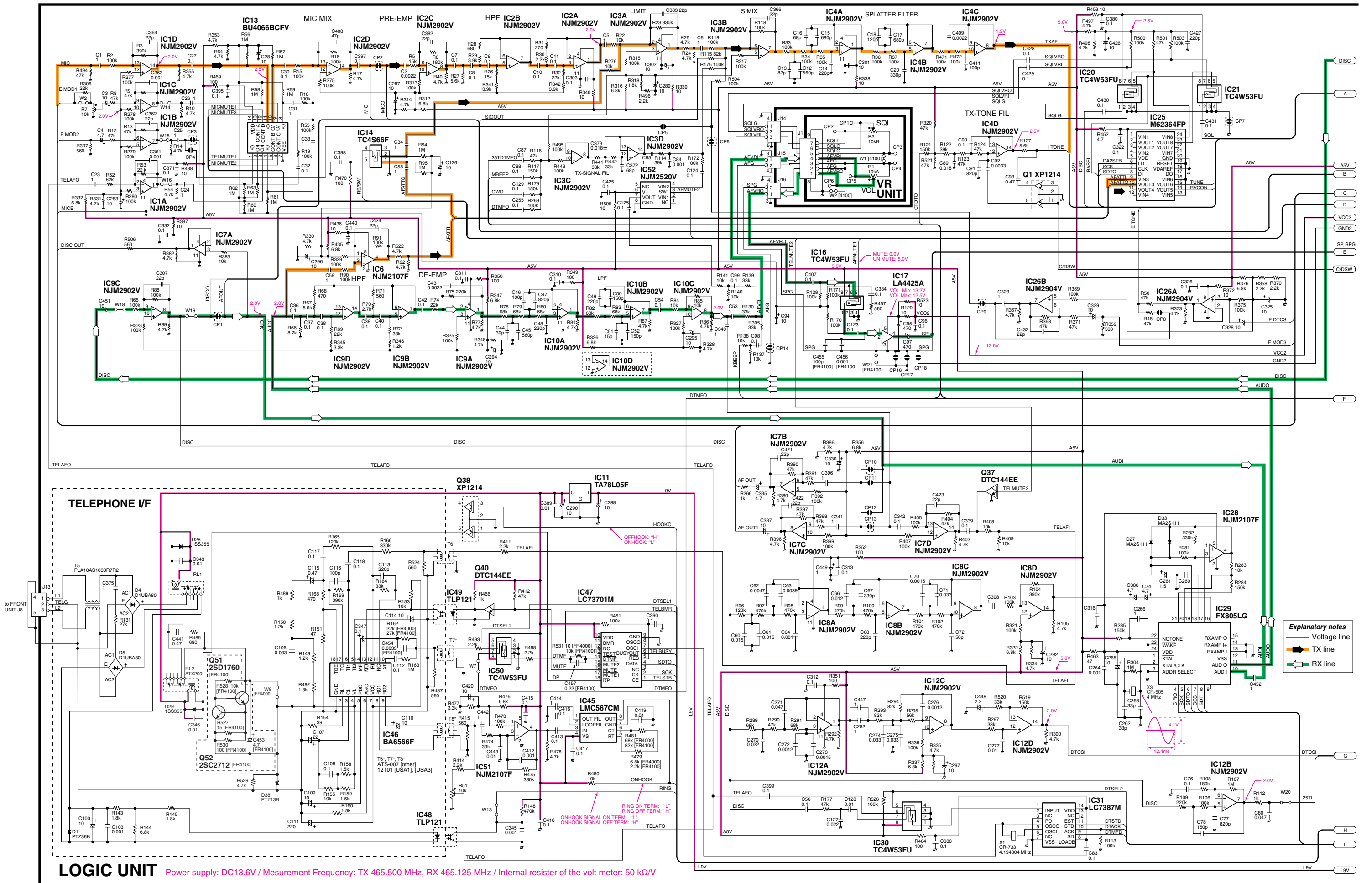


TX UNIT

Power supply: DC13.6V / Measurement Frequency: 465.500 MHz / Internal resistor of the volt meter: 50 kΩ/V

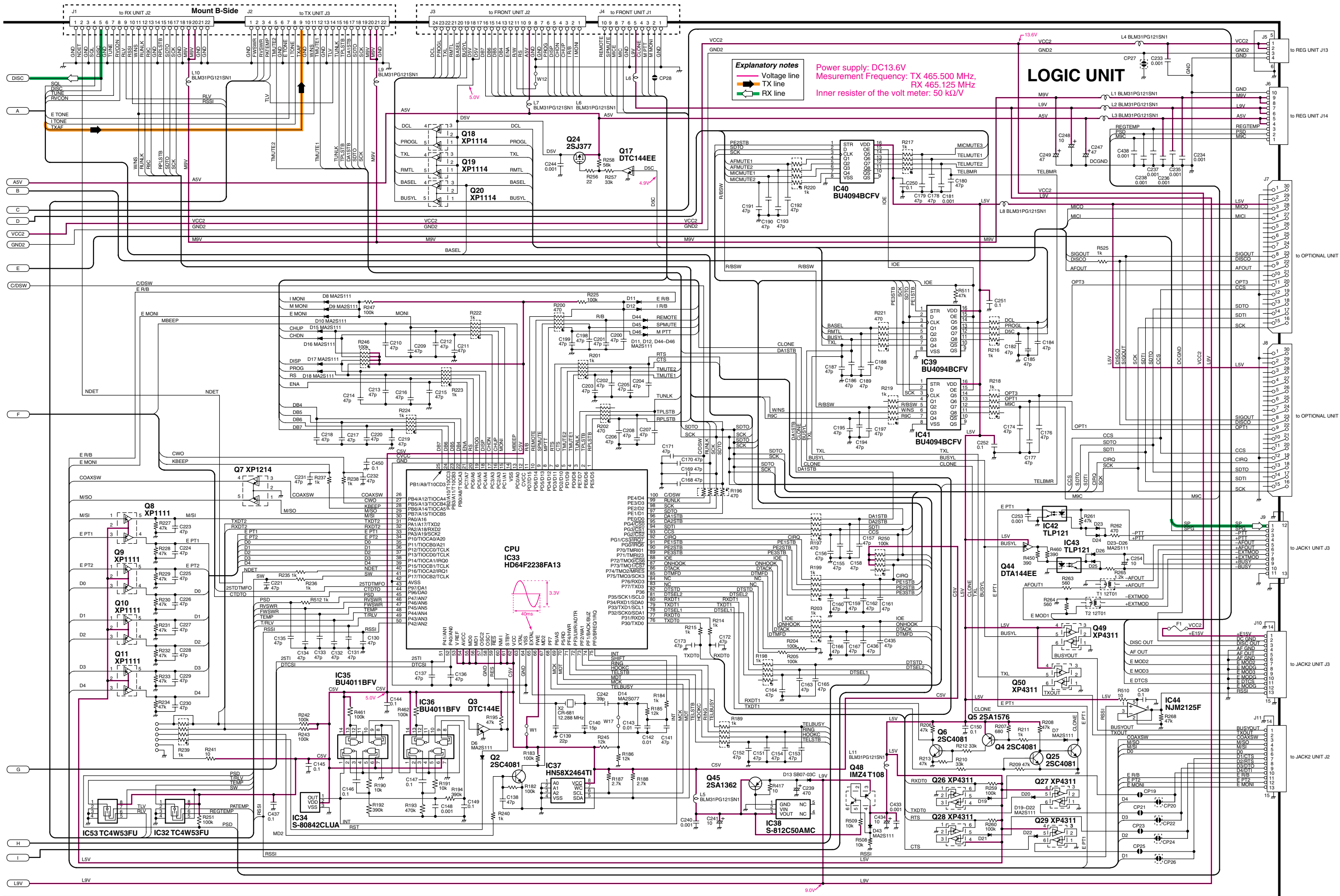
Explanatory notes
 — Voltage line
 — TX line

[L]:LOW BAND, [M]:MIDDLE BAND, [H]:HIGH BAND



LOGIC UNIT Power supply: DC13.6V / Measurement Frequency: TX 465.500 MHz, RX 465.125 MHz / Internal resistor of the volt meter: 50 kΩ/V

Explanatory notes
 - Voltage line (pink)
 - TX line (orange)
 - RX line (green)



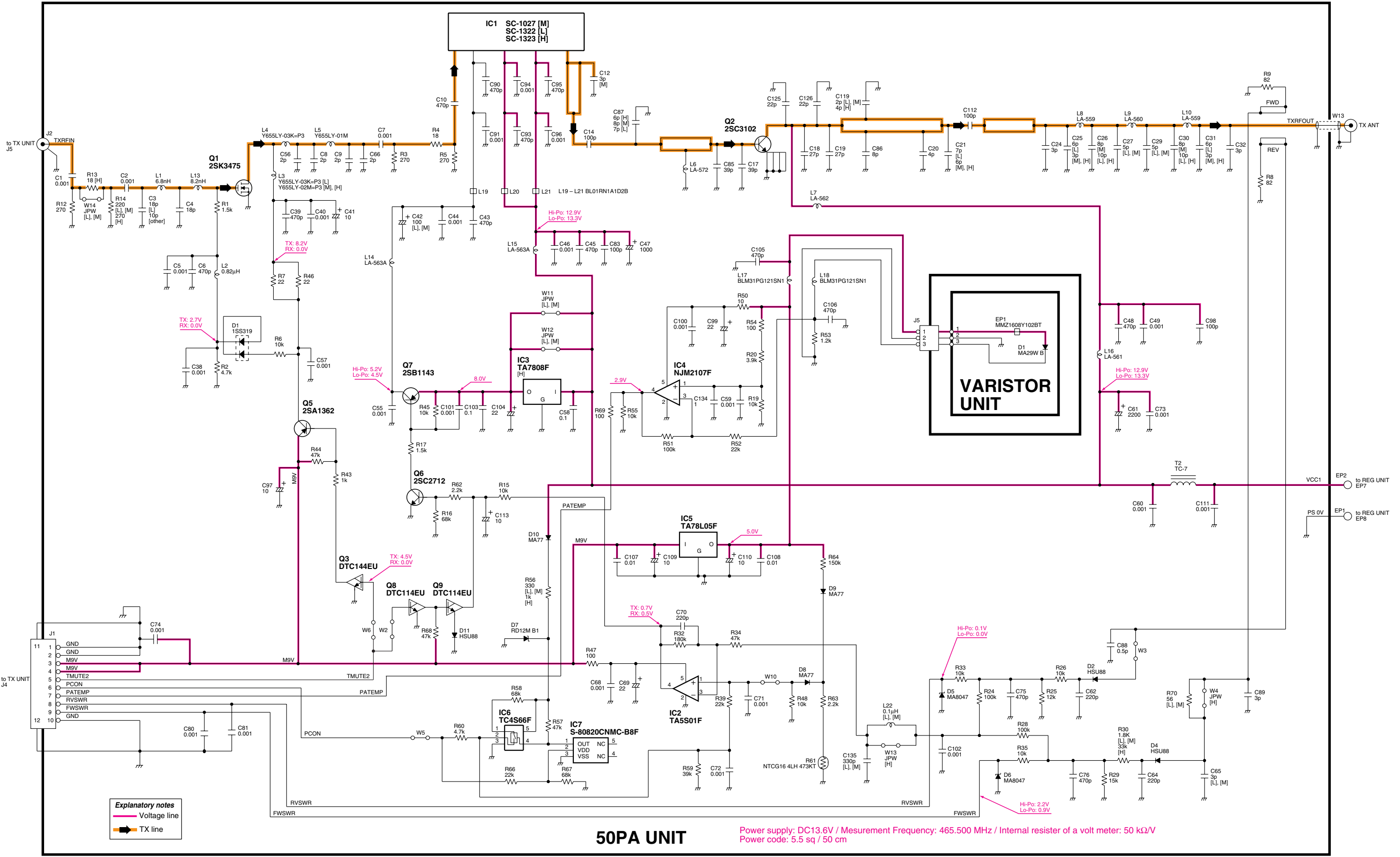
Explanatory notes
 Voltage line
 TX line
 RX line

Power supply: DC13.6V
 Measurement Frequency: TX 465.500 MHz,
 RX 465.125 MHz
 Inner resistor of the volt meter: 50 kΩ/V

LOGIC UNIT

CPU
 IC33
 HD64F2238FA13

[FR4000]



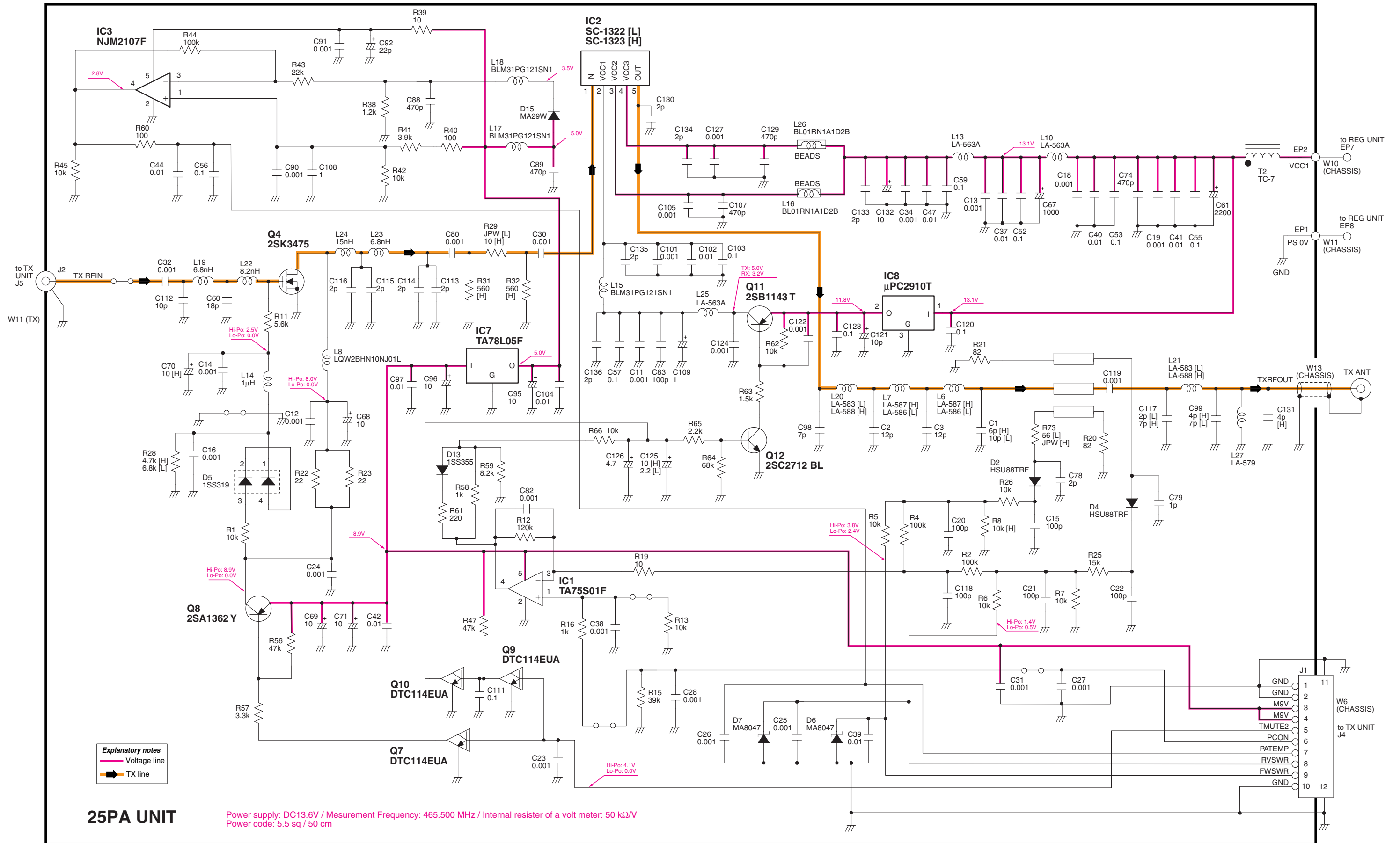
Explanatory notes
 Voltage line
 TX line

50PA UNIT

Power supply: DC13.6V / Mesurement Frequency: 465.500 MHz / Internal resistor of a volt meter: 50 kΩ/V
 Power code: 5.5 sq / 50 cm

[L]:LOW BAND, [M]:MIDDIE BAND, [H]:HIGH BAND

[FR4100]



Explanatory notes
 Voltage line
 TX line

25PA UNIT

Power supply: DC13.6V / Measurement Frequency: 465.500 MHz / Internal resistor of a volt meter: 50 kΩ/V
 Power code: 5.5 sq / 50 cm

[L]:LOW BAND, [M]:MIDDLE BAND, [H]:HIGH BAND

Icom Inc.

1-1-32, Kamiminami, Hirano-ku, Osaka 547-0003, Japan

Phone : +81 (06) 6793 5302

Fax : +81 (06) 6793 0013

URL : <http://www.icom.co.jp/world/index.html>

Icom America Inc.

<Corporate Headquarters>

2380 116th Avenue N.E., Bellevue, WA 98004, U.S.A.

Phone : +1 (425) 454-8155 Fax : +1 (425) 454-1509

URL : <http://www.icomamerica.com>

<Customer Service>

Phone : +1 (425) 454-7619

Icom Canada

Glenwood Centre #150-6165

Highway 17 Delta, B.C., V4K 5B8, Canada

Phone : +1 (604) 952-4266 Fax : +1 (604) 952-0090

URL : <http://www.icomcanada.com>

Icom (Australia) Pty. Ltd.

A.B.N. 88 006 092 575

290-294 Albert Street, Brunswick, Victoria, 3056, Australia

Phone : +61 (03) 9387 0666 Fax : +61 (03) 9387 0022

URL : <http://www.icom.net.au>

Icom New Zealand

146A Harris Road, East Tamaki,

Auckland, New Zealand

Phone : +64 (09) 274 4062 Fax : +64 (09) 274 4708

URL : <http://www.icom.co.nz>

Beijing Icom Ltd.

1305, Wanshang Plaza, Shijingshan Road, Beijing China

Phone : +86 (010) 6866 6337 Fax : +86 (010) 6866 3553

URL : <http://www.bjicom.com>

Icom (Europe) GmbH

Communication Equipment

Himmelgeister Str. 100, D-40225 Düsseldorf, Germany

Phone : +49 (0211) 346047 Fax : +49 (0211) 333639

URL : <http://www.icomeurope.com>

Icom Spain S.L

Crta. de Gracia a Manresa Km. 14,750

08190 Sant Cugat del Valles Barcelona, SPAIN

Phone : +34 (93) 590 26 70 Fax : +34 (93) 589 04 46

URL : <http://www.icomspain.com>

Icom (UK) Ltd.

Unit 9, Sea St., Herne Bay, Kent, CT6 8LD, U.K.

Phone : +44 (01227) 741741 Fax : +44 (01227) 741742

URL : <http://www.icomuk.co.uk>

Icom France S.a

Zac de la Plaine, 1, Rue Brindejonc des Moulinais

BP 5804, 31505 Toulouse Cedex, France

Phone : +33 (5) 61 36 03 03 Fax : +33 (5) 61 36 03 00

URL : <http://www.icom-france.com>

Asia Icom Inc.

6F No. 68, Sec. 1 Cheng-Teh Road, Taipei, Taiwan, R.O.C.

Phone : +886 (02) 2559 1899 Fax : +886 (02) 2559 1874

URL : <http://www.asia-icom.com>

Count on us!